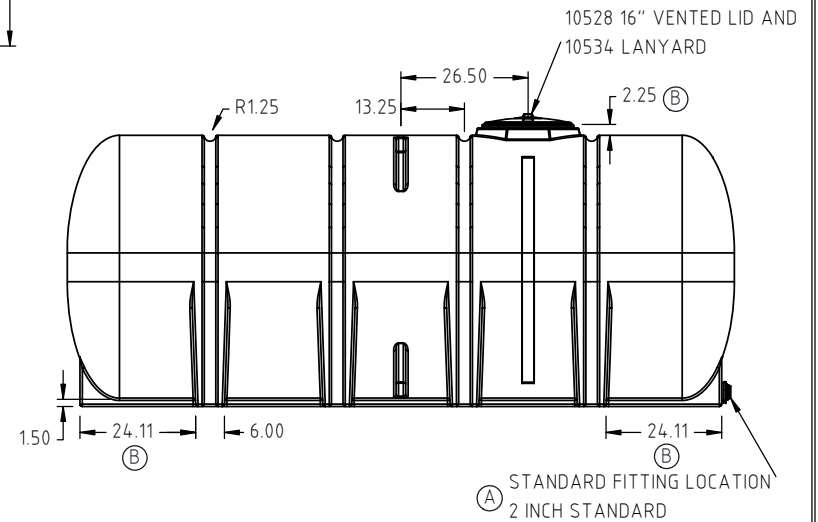
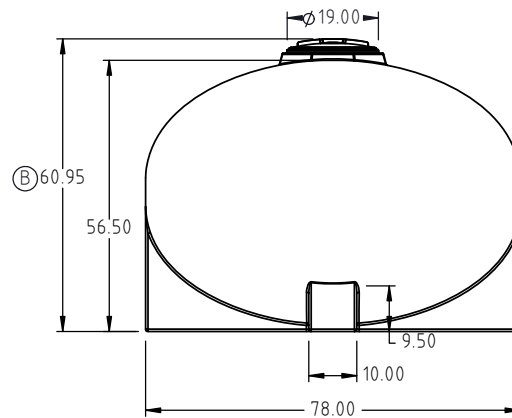
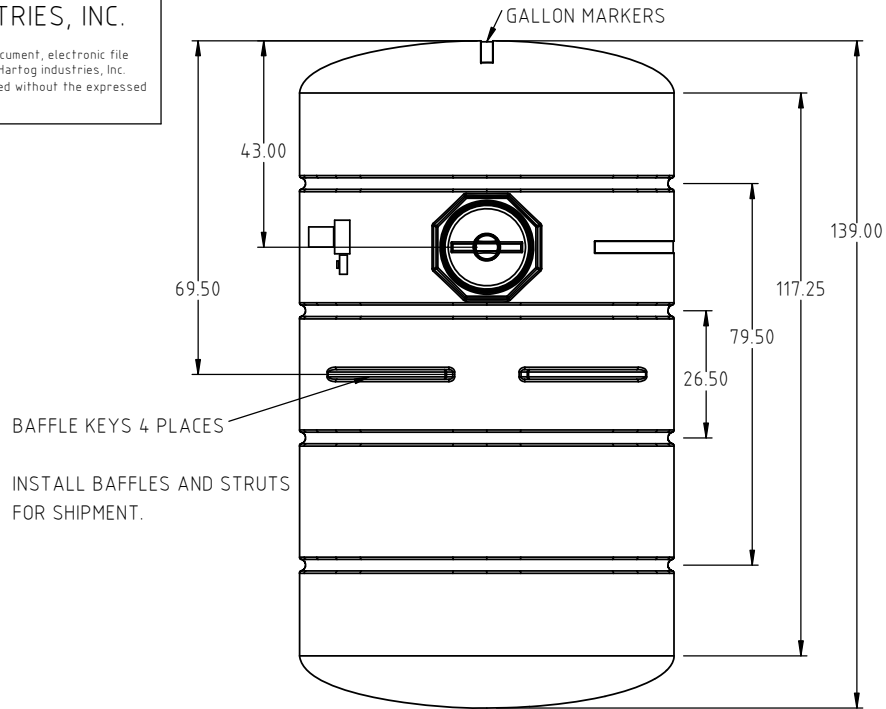



Copyright. All information furnished within this document, electronic file or design correspondence is the property of Den Hartog Industries, Inc. and shall not be used, disclosed to others or copied without the expressed written consent of Den Hartog Industries, Inc.



IMPORTANT: HOOPS ARE REQUIRED ON THIS TANK

B	2.25" WAS 4.00". 24.11" WAS 24.75". 60.95" WAS 62.70". DRAWING TEMPLATE UPDATED.	ADH	5/26/2023	4429	DRAWN / DATE ADH 12/17/2011	MATERIAL : 10538
A	SPECIFIC FITTING NUMBER REMOVED. FITTING LOCATION CORRECTED.	ADH	10/11/2017	3445	APPRD. / DATE REH 2/21/2012	
REV.	DESCRIPTION	BY	DATE	CCN		
ALL DIMENSIONS ARE IN DECIMAL INCHES TOLERANCES UNLESS OTHERWISE SPECIFIED		THIRD ANGLE PROJECTION ANSI 14.5M			SHOT WEIGHT: 525 LB.	NOTES: 1.) WHITE OR YELLOW COLOR NOMINAL WALL THICKNESS: 0.375"
POLYETHYLENE ±1% @ 68°F		METAL DECIMAL ± .125" FRACTION ± 1/4" ANGLE ± 1°			SHIPPING WEIGHT: 571 LB.	



# Den Hartog INDUSTRIES, INC.

Ace Roto-Mold • Injection Molding • Blow Molding • Sowjoy  
4010 HOSPERS DRIVE S. BOX 425, HOSPERS, IOWA 51238-0425

DESCRIPTION 1850 GALLON LEG TANK W/O SUMP		
SCALE N.S.	PART NO. FS1850-78	SHEET 1 OF 1