

PROPRIETARY DATA

PROPERTY OF ACE ROTO-MOLD MFG., INC. INFORMATION FURNISHED HEREIN IS THE PROPERTY OF ACE ROTO-MOLD MFG., INC. AND SHALL NOT BE USED, DISCLOSED TO OTHERS, OR COPIED WITHOUT THE EXPRESSED WRITTEN CONSENT OF ACE ROTO-MOLD MFG., INC. ALL RIGHTS RESERVED.

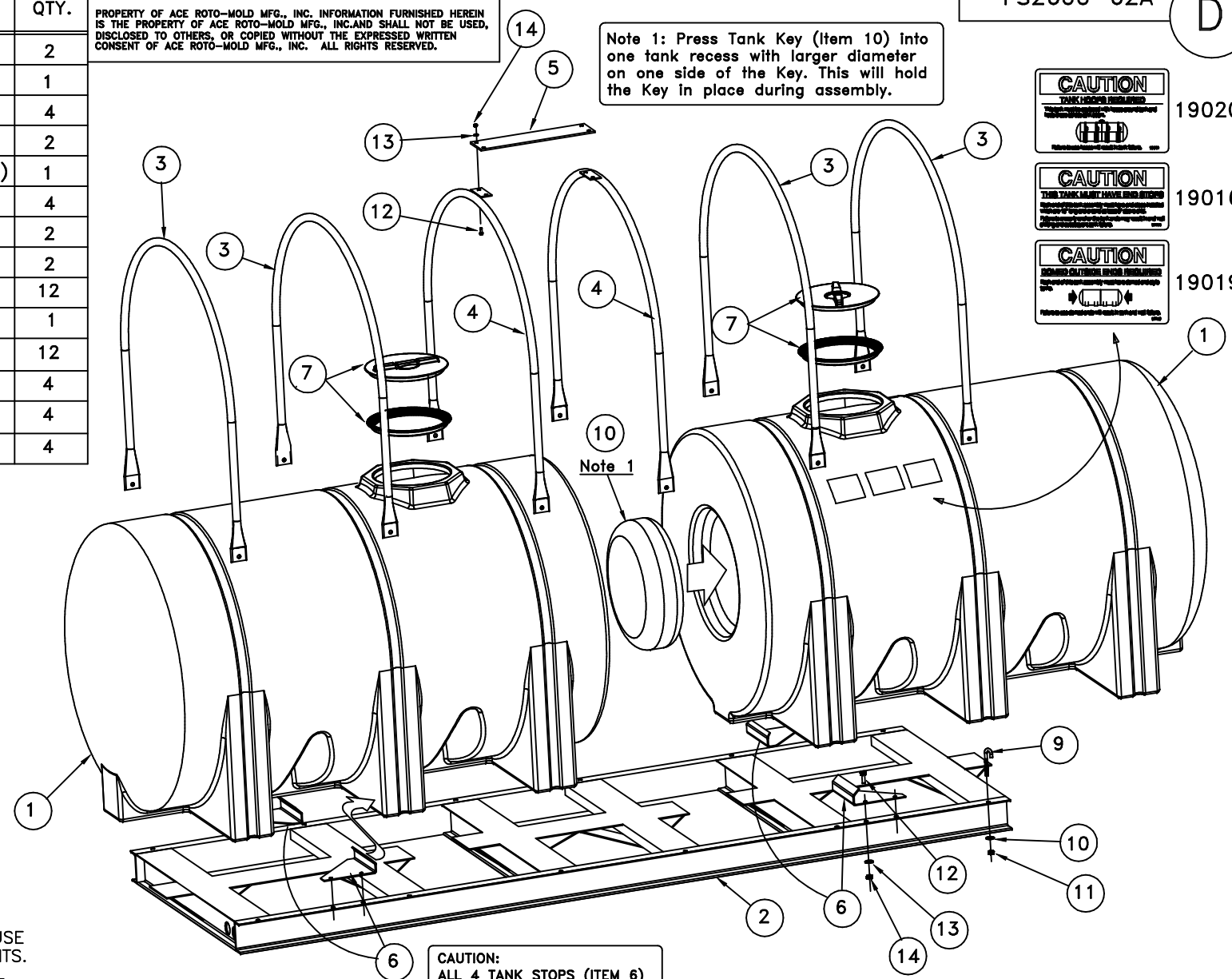
Note 1: Press Tank Key (Item 10) into one tank recess with larger diameter on one side of the Key. This will hold the Key in place during assembly.

CAUTION
TANK HOOPS INSTALLED
19020

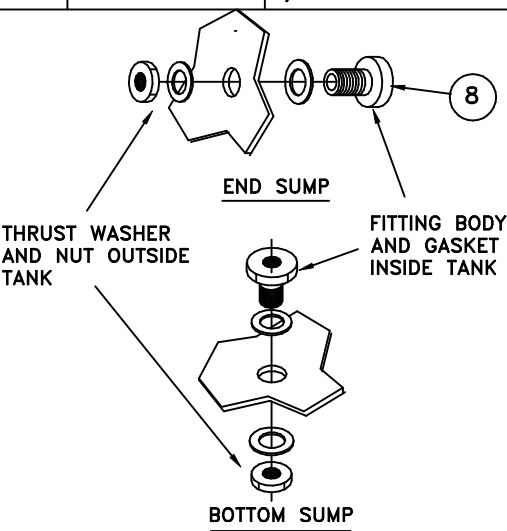
CAUTION
THE TANK MUST HAVE END FITERS
19016

CAUTION
HOOPS MUST BE INSTALLED
19019

KEY	PART NUMBER	DESCRIPTION	QTY.
1	FS1295-FS/FW	TANK BODY	2
2	FS2600-SK	SKID WELDMENT	1
3	FS062-HP	HOOP	4
4	FS062-HPC	HOOP WELDMENT	2
5	FS2600-CP	TIE PLATE (26-1/4)	1
6	FS10026	TANK STOP	4
7	10528	16" LID ASSY.	2
8	10508	2" FITTING ASSY.	2
9	J3625X8.000	5/8 J-BOLT	12
10	FS24-D	TANK KEY	1
11	10938	5/8 LOCK NUT	12
12	10089	3/8 X 1 HEX BOLT	4
13	10937	3/8 FLATWASHER	4
14	10940	3/8 LOCK NUT	4



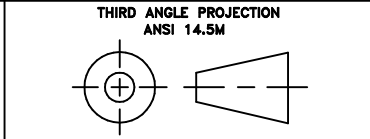
CAUTION:
ALL 4 TANK STOPS (ITEM 6)
MUST BE SECURELY INSTALLED



FITTING INSTALLATION DETAILS
CAUTION: TWO COMPARTMENT TANKS MUST BE PLUMBED TO DRAIN EQUALLY. DO NOT USE TANKS AS INDIVIDUAL STORAGE COMPARTMENTS.

D	REMOVE TOLERANCE	3/19/07 GWC
C	CHANGE TO FM PART #	11/6/06
B	ADD CAUTION NOTE	11/2/06
A	LID POSITION CORRECTED	10/04/01
REV	DESCRIPTION	DATE APPRD

DRAWN / DATE	REH/8/08/01
APPRD. / DATE	REH/8/08/01



NOTES:



Ace Roto-Mold

A DIVISION OF DEN HARTOG INDUSTRIES, INC.
4018 HWY. 60 BLVD., BOX 421, HOSPERS, IOWA 51238

CLIENT / DESCRIPTION
**ACE 2600 GALLON TANK
SKID ASSEMBLY AND PARTS LIST**

SCALE
N.S.

PART NO.
FS2600-2W / FM2600-2S

ALL DIMENSIONS ARE IN DECIMAL INCHES
TOLERANCES UNLESS OTHERWISE SPECIFIED