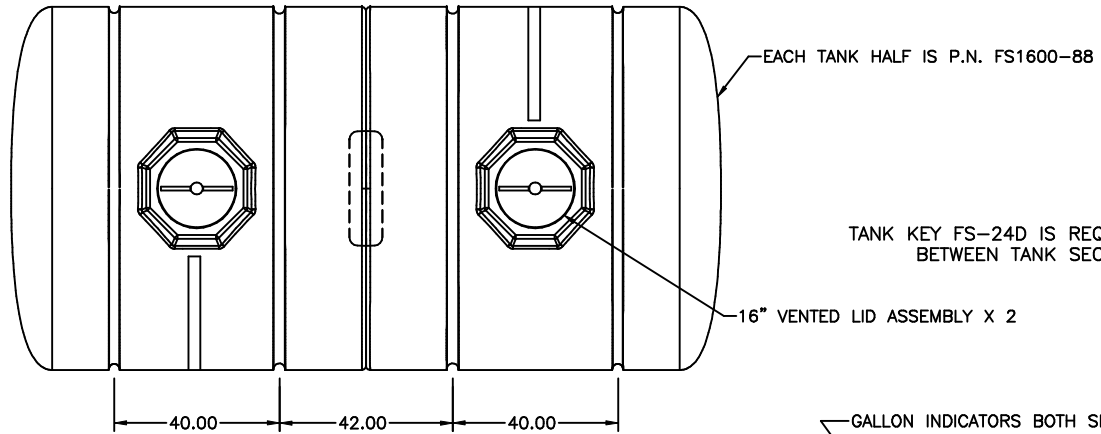


PROPRIETARY DATA

PROPERTY OF ACE ROTO-MOLD MFG., INC. INFORMATION FURNISHED HEREIN IS THE PROPERTY OF ACE ROTO-MOLD MFG., INC. AND SHALL NOT BE USED, DISCLOSED TO OTHERS, OR COPIED WITHOUT THE EXPRESSED WRITTEN CONSENT OF ACE ROTO-MOLD MFG., INC. ALL RIGHTS RESERVED.

FS3200-2S

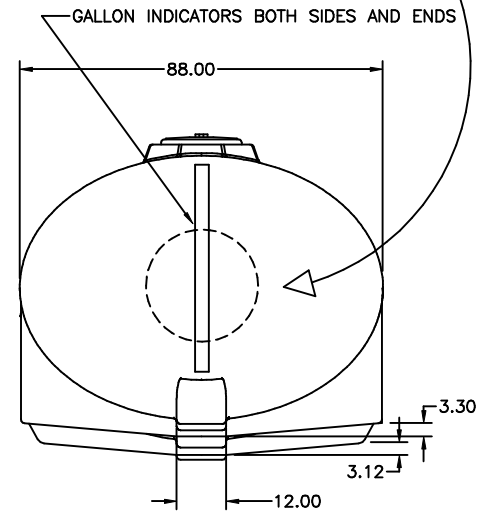
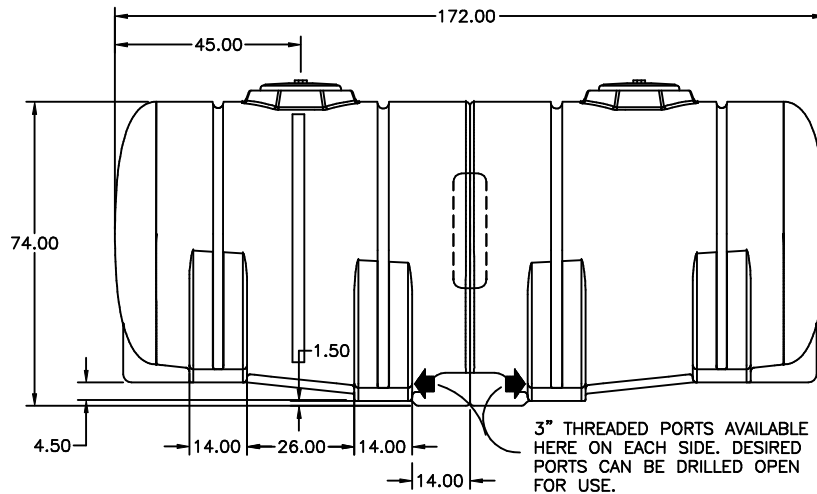
A



TANK KEY FS-24D IS REQUIRED BETWEEN TANK SECTIONS

16" VENTED LID ASSEMBLY X 2

CAUTION: TWO COMPARTMENT TANKS MUST BE PLUMBED TO DRAIN EQUALLY. DO NOT USE TANKS AS INDIVIDUAL STORAGE COMPARTMENTS.



NOTE: 4 HOOPS ARE REQUIRED ON THIS TANK

		DRAWN / DATE REH/03/02/01		MATERIAL: HDPE	ACE ROTO-MOLD A DIVISION OF DEN HARTOG INDUSTRIES, INC. 4010 HWY. 60 BLVD., BOX 425 HOSPERS, IOWA 51238		
A	ADD CAUTION NOTE	11/2/06	APPRD. / DATE REH/03/02/01				
REV	DESCRIPTION	DATE	APPRD	CLIENT / DESCRIPTION 3200 GAL. SECTIONAL TANK			
ALL DIMENSIONS ARE IN DECIMAL INCHES TOLERANCES UNLESS OTHERWISE SPECIFIED $\pm 1\% @ 68^{\circ} F$				THIRD ANGLE PROJECTION ANSI 14.5M 	NOTES: 1. AVAILABLE IN NATURAL OR YELLOW COLOR. 2. NOM. WALL = .450	SCALE N.S.	PART NO. FS3200-2S