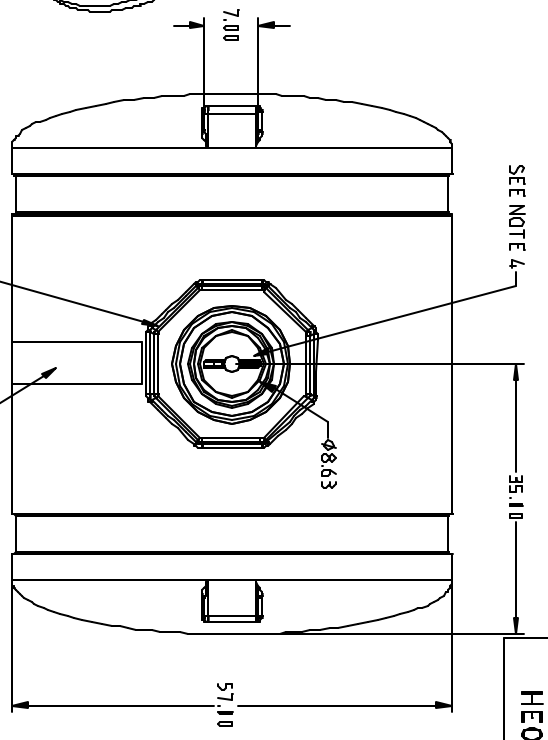
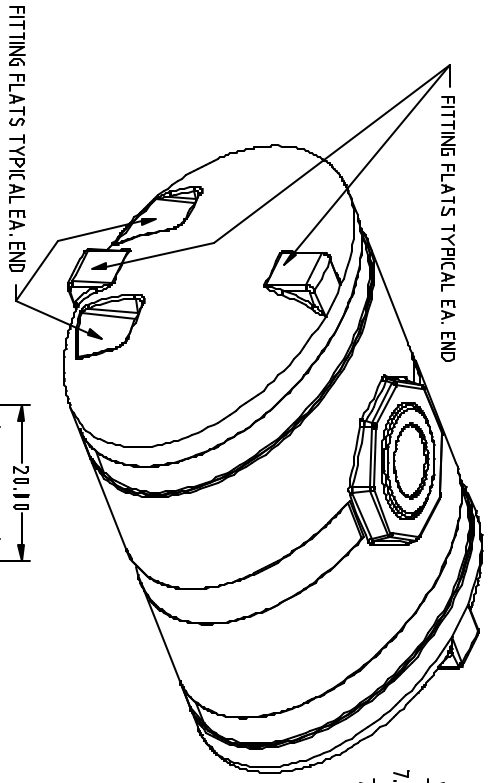


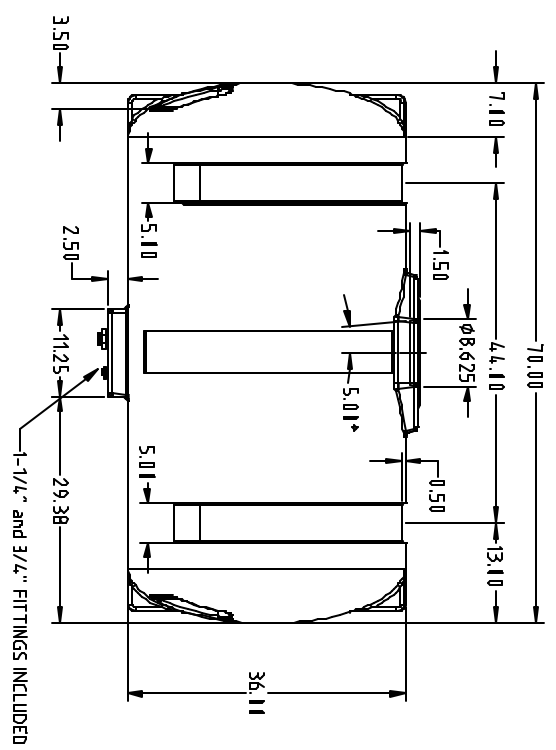
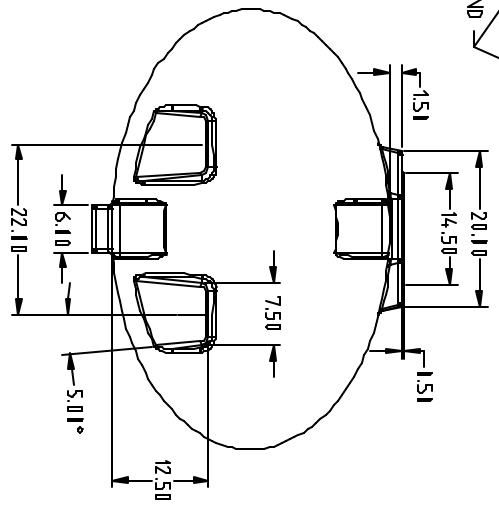
PROPRIETARY DATA

PROPERTY OF ACE ROTO-MOLD MFG., INC. INFORMATION FURNISHED HEREIN IS THE PROPERTY OF ACE ROTO-MOLD MFG., INC. AND SHALL NOT BE USED, DISCLOSED TO OTHERS, OR COPIED WITHOUT THE EXPRESSED WRITTEN CONSENT OF ACE ROTO-MOLD MFG., INC. ALL RIGHTS RESERVED.

HE0400-57



STANDARD LID IS 8" GALLON / LITER INDICATORS ONE SIDE AND ONE END GALLON CALIBRATIONS ARE IN 25 GAL. INCREMENTS

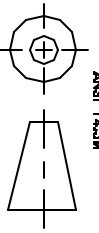


GENERAL NOTES:

1. USE .027 IN./IN. SHRINK ALLOWANCE
2. MOLD TO BE FULLY WELDED INSIDE AND STITCH WELDED OUTSIDE
3. CLAMPING TO BE WITH 1/2" X 1-1/2" GRADE 8 BOLTS, GRADE 5 NUTS AND NUT HOLDERS.
4. LID RING RECESS TO HAVE KNIFE EDGE ON INSERT TO MINIMIZE TRIMMING.

REV	DESCRIPTION	DATE	APPRD.	DRAWN / DATE	MATERIAL / SHOT WEIGHT
				REH/4/16/01	M111 M134 U625 P938
				APPRD. / DATE	
				REH/4/16/01	

THIRD ANGLE PROJECTION



ALL DIMENSIONS ARE IN DECIMAL INCHES TOLERANCES UNLESS OTHERWISE SPECIFIED

+ .5% @ 68° F

Ace Roto-Mold
A DIVISION OF DEK HARTOG INDUSTRIALING

CLIENT / DESCRIPTION
ACE 400 GALLON ELLIPTICAL TANK

SCALE N.S. PART NO. HE0400-57