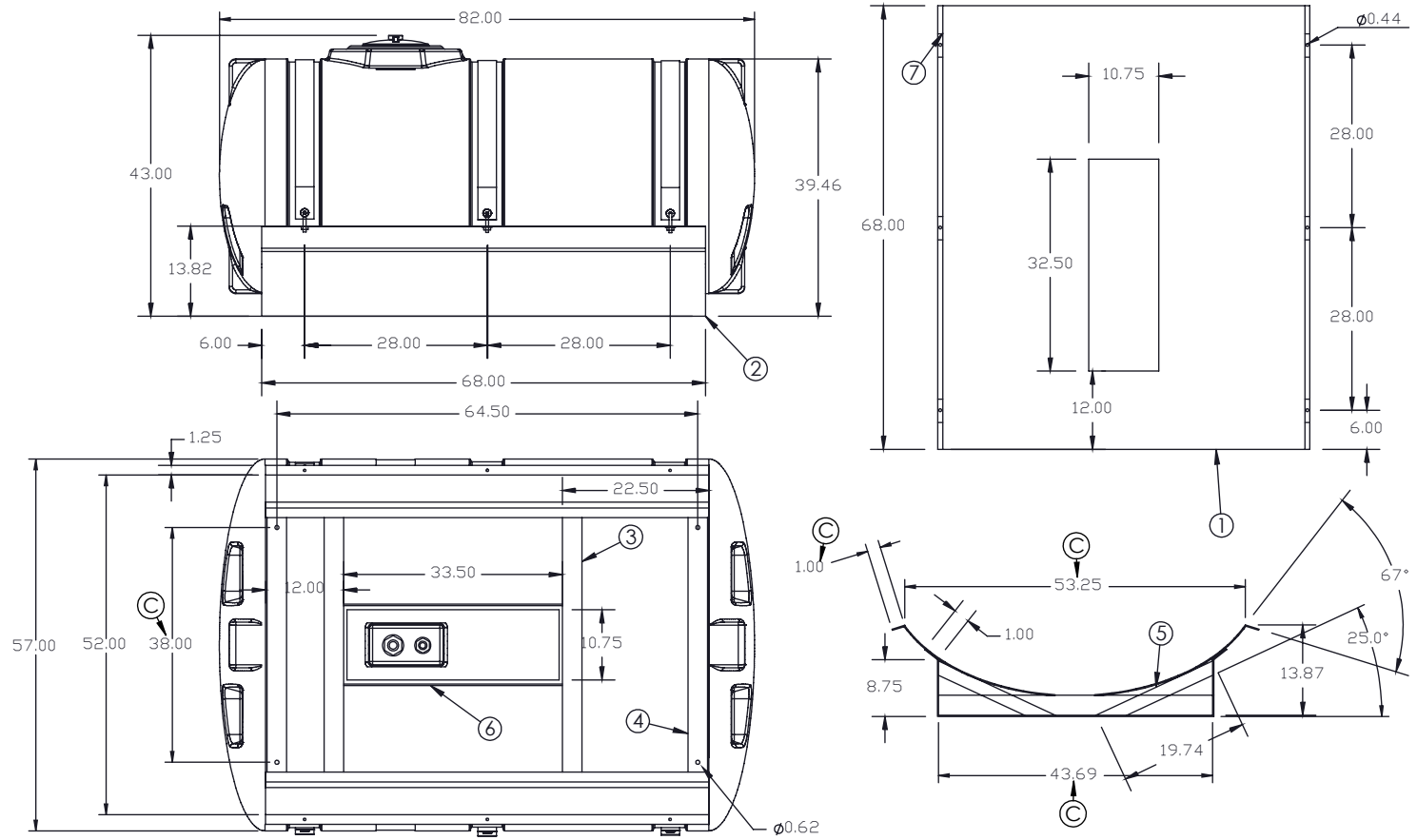


PROPRIETARY DATA

PROPERTY OF ACE ROTO-MOLD MFG., INC. INFORMATION FURNISHED HEREIN IS THE PROPERTY OF ACE ROTO-MOLD MFG., INC. AND SHALL NOT BE USED, DISCLOSED TO OTHERS, OR COPIED WITHOUT THE EXPRESSED WRITTEN CONSENT OF ACE ROTO-MOLD MFG., INC. ALL RIGHTS RESERVED.

KEY	PART NUMBER	MATERIAL	DESCRIPTION	QTY.
1	HE0500-C-1	S-14GA	SHEET, 14 GA	59.75" X 68" (4080 SI)
2	HE0500-C-2	S-14GA	SHEET, 14 GA	11.75" X 68"(799 SI)
3	HE0500-C-3	A01875X30000	ANGLE, 3/16" X 3"	4 @ 43.50" (174 IN) (HOLES INCLUDED)
4	HE0500-C-4	A01875X30000	ANGLE, 3/16" X 3" (HOLES)	2
5	HE0500-C-5	B02500X20000	FLAT, 1/4" X 2"	4 @ 16" (64 IN)
6	HE0500-C-6	B02500X20000	FLAT, 1/4" X 2"	2 @ 33.50" (67 IN)
7	SJHZ0232C-4	B02500X10000	FLAT, 1/4" X 1"	6

HE0500-C



C	DIMENSIONS UPDATED	ADH 2/11/08	1591	DRAWN / DATE	MATERIAL
B	REMOVE TOLERANCE	GWC 3/14/07		ADH 7/23/07	
A	ENLARGE SUMP CUTOUT	9/15/05		APPRD. / DATE	
REV	DESCRIPTION	BY / DATE	CCN	REH 10/5/07	



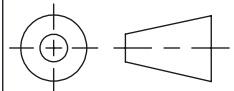
Den Hartog
INDUSTRIES, INC.

Ace Roto-Mold Injection Molding Blow Molding Sowjoy
4010 HOSPERS DRIVE S. BOX 425, HOSPERS, IOWA 51238-0421

ALL DIMENSIONS ARE IN DECIMAL INCHES
TOLERANCES UNLESS OTHERWISE SPECIFIED

DECIMAL ± .125"
FRACTION ± 1/4"
ANGLE ± 1°

THIRD ANGLE PROJECTION
ANSI 14.5M



NOTES:

DESCRIPTION	
ACE 500 GALLON ELLIPTICAL TANK AND CRADLE ASSEMBLY	
SCALE	PART NO.
N.S.	HE0500-C