

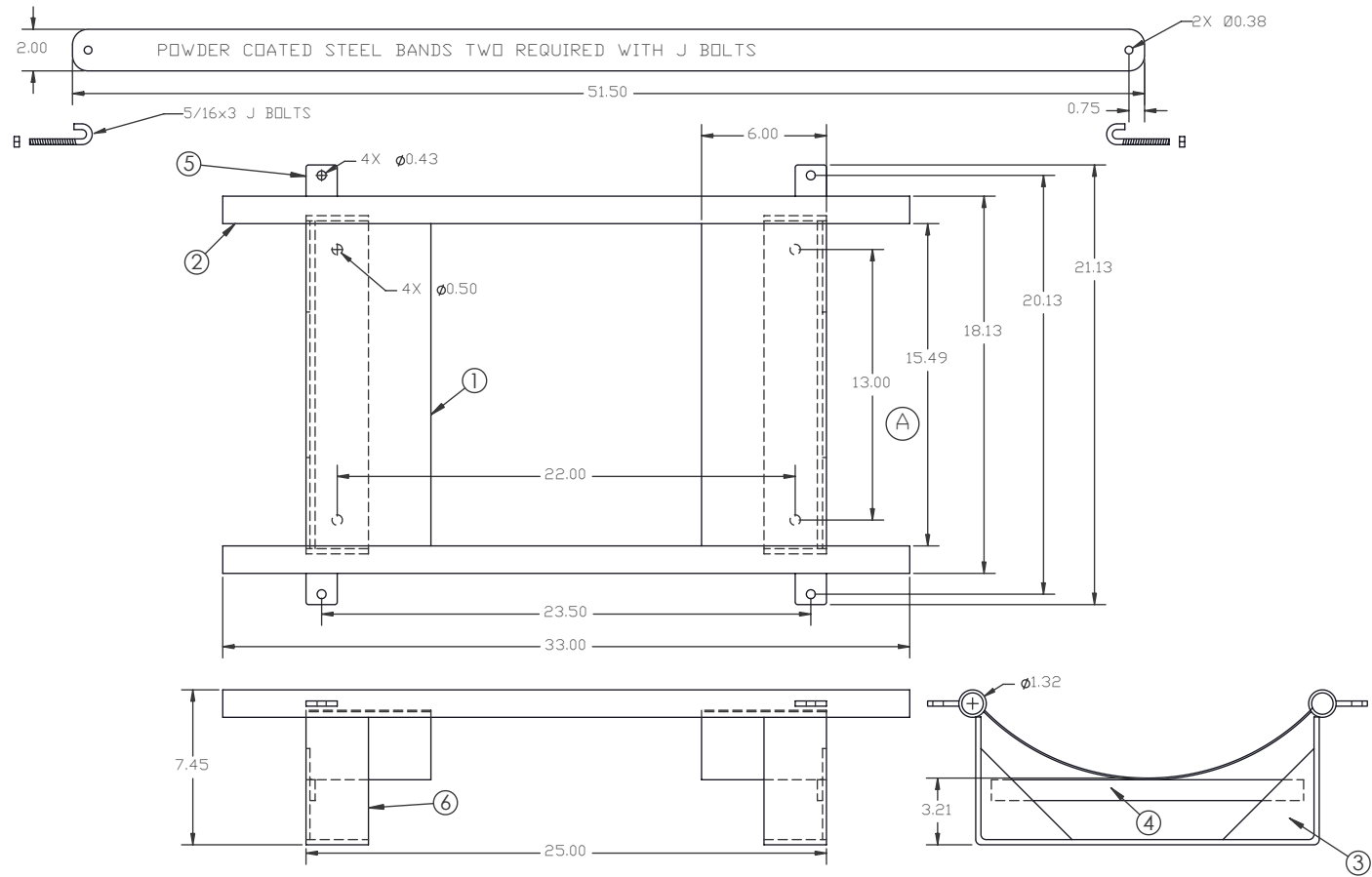
PROPRIETARY DATA

PROPERTY OF DEN HARTOG MFG., INC. INFORMATION FURNISHED HEREIN IS THE PROPERTY OF ACE ROTO-MOLD MFG., INC. AND SHALL NOT BE USED, DISCLOSED TO OTHERS, OR COPIED WITHOUT THE EXPRESSED WRITTEN CONSENT OF ACE ROTO-MOLD MFG., INC. ALL RIGHTS RESERVED.

KEY	PART NUMBER	MATERIAL	DESCRIPTION	QTY.
1	HZ0075-C-1	S-14GA	SHEET,14GA	2 @ 6" X 17.5"(210 SI)
2	HZ0075-C-2	P10000	PIPE,1" SIZE TUBING	2 @ 33"(66 IN)
3	HZ0095-C-2	S-1875	SHEET,3/16",(<7 GA)	(4 @ 4.5" X 4.5")/2(40.50 SI)
4	HZ0075-C-4	B02500X12500	FLAT, 1/4" X 1 1/4"	2 @ 14"(28 IN)
5	SJHZ0095C-4	B02500X12500	FLAT,1/4" X 1 1/4"	4 @ 1.5"(6 IN)
6	SJHZ0095C-6	B02500X12500	FLAT, 1/4" X 3"	2 @ 28"(56 IN)

HZ0075-C

B



REV	DESCRIPTION	BY / DATE	CCN
B	TOLERANCE WAS 1% @ 68° F	GWC 3/14/07	
A	CHANGE HOLE SPACING	5/5/06	

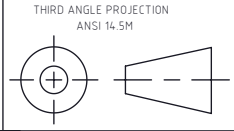
DRAWN / DATE	MATERIAL
ADH 8/1/07	
APPRD. / DATE	
REH 11/26/07	



Den Hartog
INDUSTRIES, INC.

Ace Roto-Mold Injection Molding Blow Molding Sowjoy
4010 HOSPERS DRIVE S. BOX 425, HOSPERS, IOWA 51238-0421

ALL DIMENSIONS ARE IN DECIMAL INCHES
TOLERANCES UNLESS OTHERWISE SPECIFIED
DECIMAL ± .125"
FRACTION ± 1/4"
ANGLE ± 1°



NOTES:

DESCRIPTION	CRADLE FOR 75 GALLON HORIZONTAL	
SCALE	N.S.	PART NO. HZ0075-C