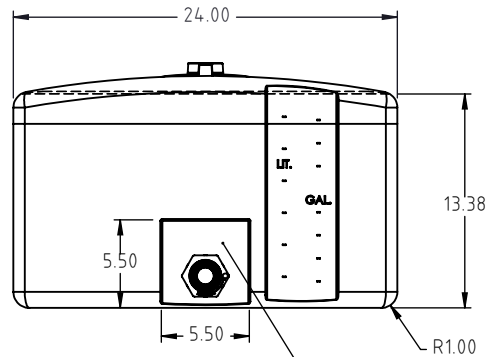
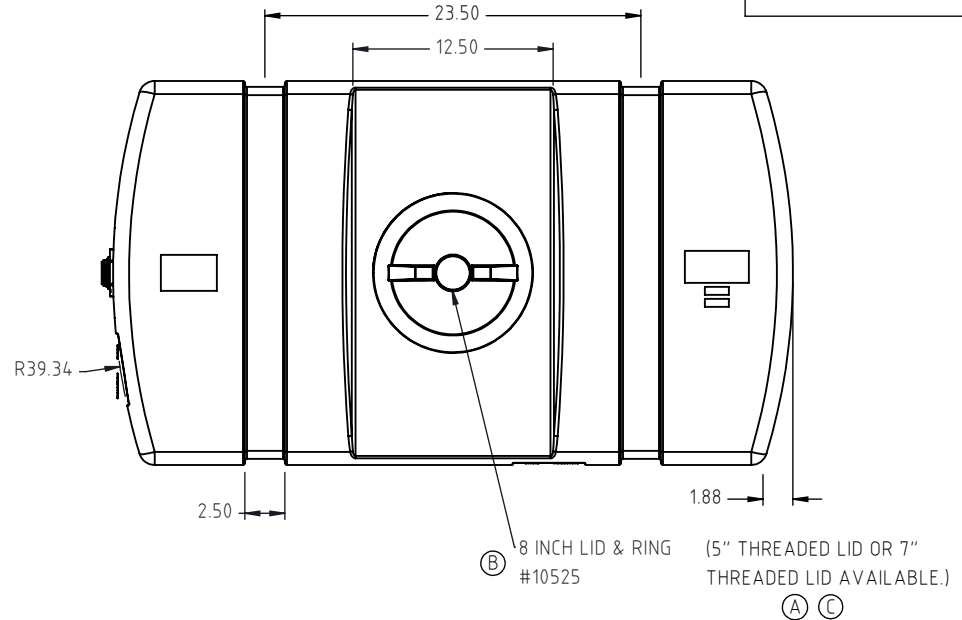
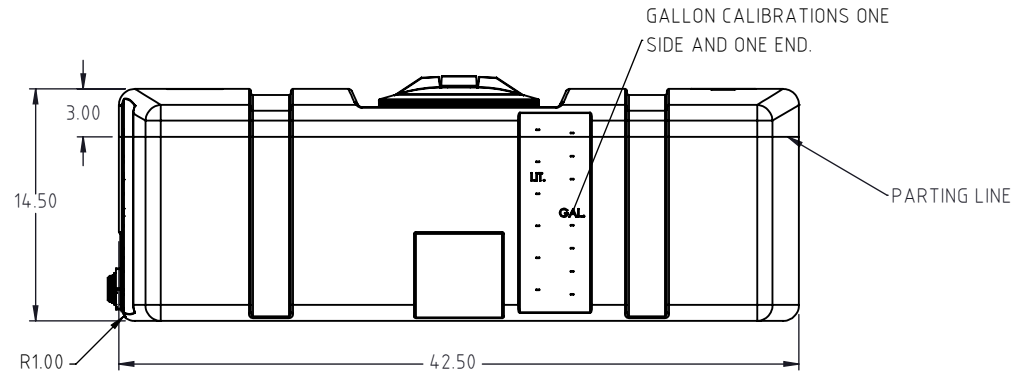


Copyright. All information furnished within this document, electronic file or design correspondence is the property of Den Hartog industries, Inc. and shall not be used, disclosed to others or copied without the expressed written consent of Den Hartog Industries, Inc.



FITTING FLAT ONE END AND SIDE  
1" FITTING IS STANDARD IN END.



C	REMOVED 5" HINGED LID	NHW 10/21/20	4062	DRAWN / DATE	MATERIAL 10420 3 MELT
B	8" LID MADE STANDARD	NHW 9/2/20	4019	DHJ 6/14/06	
A	5", 7" AND 8 LID ADDED	REH 10/14/10	2100	APPRD. / DATE	
REV	DESCRIPTION	BY / DATE	CCN	REH 6/16/08	
ALL DIMENSIONS ARE IN DECIMAL INCHES TOLERANCES UNLESS OTHERWISE SPECIFIED		THIRD ANGLE PROJECTION ANSI 14.5M		SHOT WEIGHT: 35 LBS	NOTES: 1.) .260 NOM. WALL
POLYETHYLENE		METAL		SHIPPING WEIGHT: 37 LBS	
±1% @ 68°F		DECIMAL ± .125" FRACTION ± 1/4" ANGLE ± 1°		FINISH:	



**Den Hartog**  
INDUSTRIES, INC.

Ace Roto-Mold Injection Molding Blow Molding Sowjoy

4010 HOSPERS DRIVE S. BOX 425, HOSPERS, IOWA 51238-0425

DESCRIPTION		50 GALLON RECTANGULAR TANK	
SCALE	N.S.	PART NO.	LP0050-RT