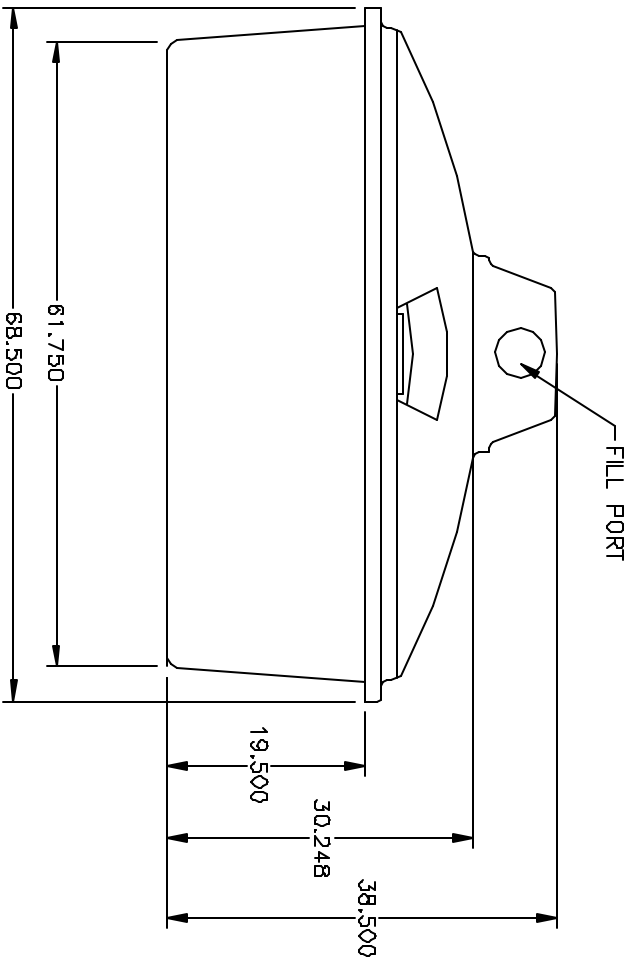
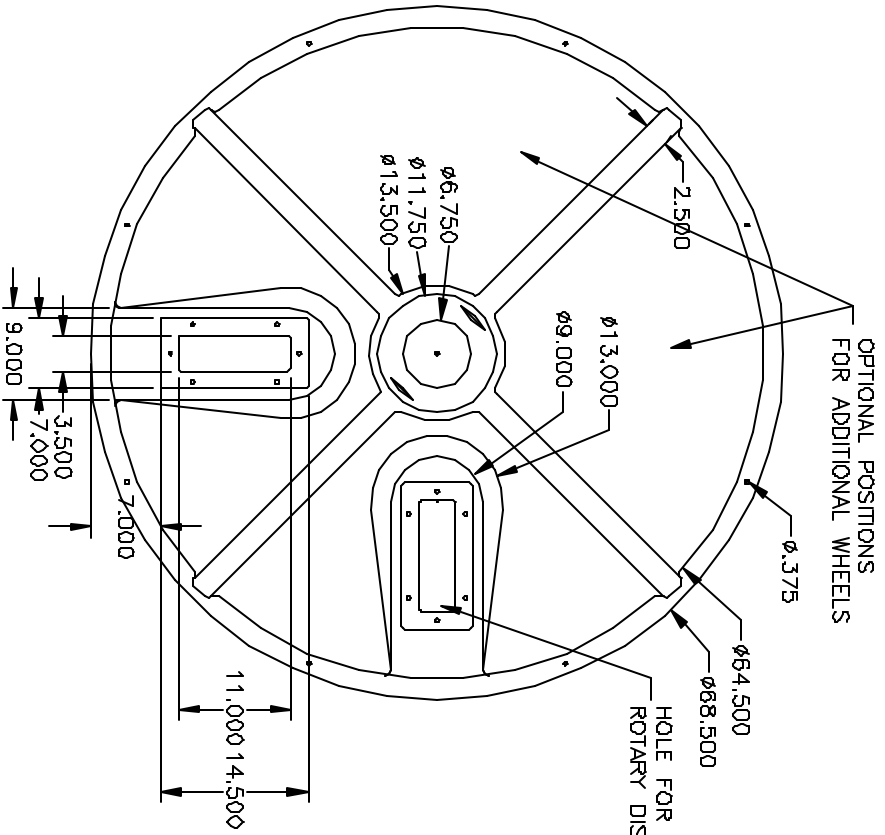


PROPRIETARY DATA

PROPERTY OF ACE ROTOMOLD MFG. INC. INFORMATION FURNISHED HEREIN IS THE PROPERTY OF ACE ROTOMOLD MFG. INC. AND SHALL NOT BE USED, DISCLOSED TO OTHERS, OR REPRODUCED WITHOUT THE EXPRESSED WRITTEN CONSENT OF ACE ROTOMOLD MFG. INC. ALL RIGHTS RESERVED.

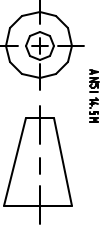
LTA285-68



- FEATURES:
1. MADE FROM LOW-DENSITY POLYETHYLENE WITH U.V. INHIBITORS
  2. DESIGNED FOR LIQUIDS OF UP TO 1.5 SPECIFIC GRAVITY
  3. TANK WALLS ARE TRANSLUCENT
  4. EQUIPPED WITH GALLON INDICATOR ON SIDE OF TANK
  5. USES UP TO FOUR 24 INCH WHEELS
- [WHEELS SOLD SEPERATELY]

REV	DESCRIPTION	DATE	APPRD	DRAWN / DATE	MATERIAL
				NVE 6/16/15	
				APPRD. / DATE	
				DHJ 6/22/15	

THIRD ANGLE PROJECTION  
ANSI X1.18



UPPE OR EQUIVALENT  
REPRODUCE MATERIAL DATA SHEET  
FOR SPECIFIC PROPERTIES.

- NOTES:
1. NOM. WALL  $\phi 221$
  2. YELLOW COLOR
  3. SHOT WEIGHT 98 LBS.

CLIENT / DESCRIPTION



285 GALLON LIQUID FEEDER TANK

SCALE

N.S.

PART NO.

LTA285-68

ALL DIMENSIONS ARE IN DECIMAL INCHES  
TOLERANCES UNLESS OTHERWISE SPECIFIED  
+ 1% @ 68° F