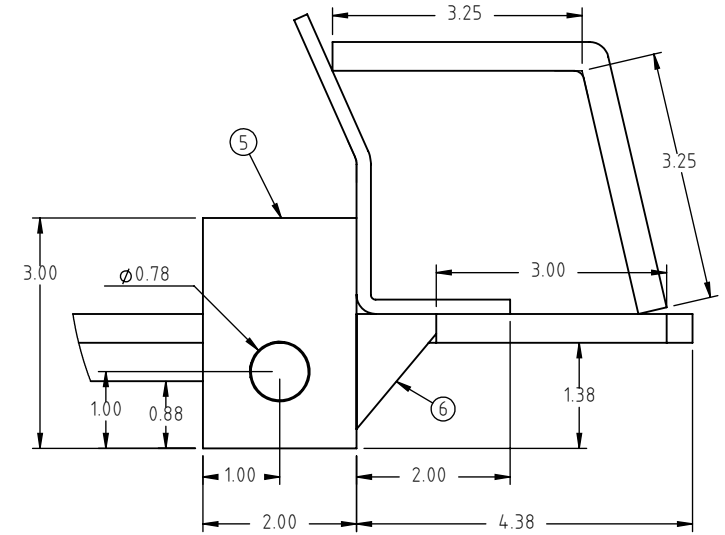
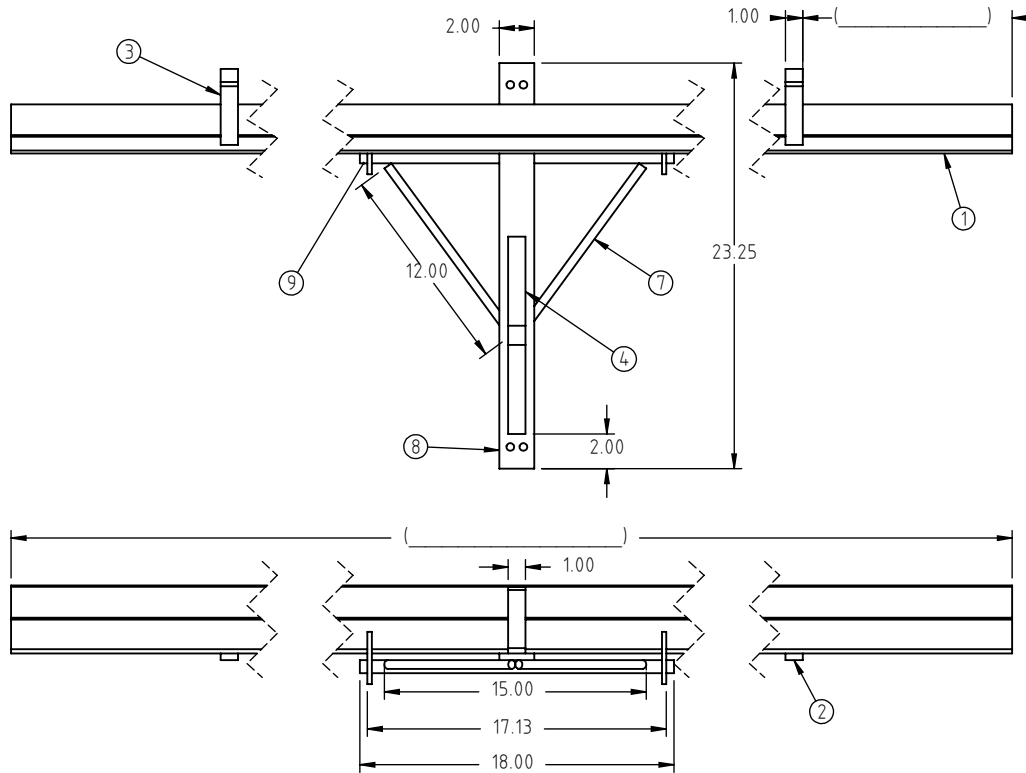


© DEN HARTOG INDUSTRIES, INC.

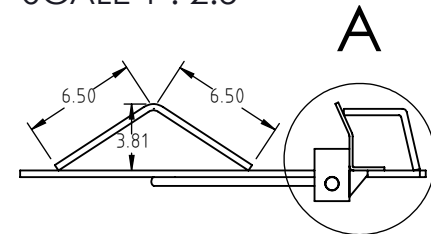
Copyright. All information furnished within this document, electronic file or design correspondence is the property of Den Hartog Industries, Inc. and shall not be used, disclosed to others or copied without the expressed written consent of Den Hartog Industries, Inc.

KEY	PART NUMBER	MATERIAL	DESCRIPTION	QTY.
1	SJ10601-	S-1875-SS	BLADE, BLANK	1
2	SJ10602-SS	B03750X10000-SS	BRACE, SIDE GUIDE SCRAPER	2
3	SJ10603-SS	B03750X10000-SS	GUIDE, SIDE SCRAPER	2
4	SJ10604-SS	B03750X10000-SS	GUIDE, CENTER SCRAPER	1
5	SJ10605-SS	S-1875-SS	HITCH, SHAFT HOLDER	2
6	SJ10606-SS	S-1875-SS	HITCH, GUSSET	2
7	SJ10607-SS	R03750-SS	HITCH, SHAFT BRACE SCRAPER	2
8	SJ10608-SS	B03750X20000-SS	HITCH, SCRAPER	1
9	SJ10609-SS	R07500-SS	HITCH, SHAFT SCRAPER	1

SJ10600- SS



DETAIL A
SCALE 1 : 2.5



				DRAWN / DATE ADH 12/12/08	MATERIAL
				APPRD. / DATE KGJ 5/18/09	
REV	DESCRIPTION	BY / DATE	CCN	SHOT WEIGHT:	NOTES:
	ALL DIMENSIONS ARE IN DECIMAL INCHES TOLERANCES UNLESS OTHERWISE SPECIFIED			THIRD ANGLE PROJECTION ANSI 14.5M	
	POLYETHYLENE ±1% @ 68°F			METAL DECIMAL ± .125" FRACTION ± 1/4" ANGLE ± 1°	
				SHIPPING WEIGHT:	
				FINISH:	



Den Hartog
INDUSTRIES, INC.

Ace Roto-Mold Injection Molding Blow Molding Sowjoy

4010 HOSPERS DRIVE S. BOX 425, HOSPERS, IOWA 51238-0421

DESCRIPTION ' SCRAPER KIT-STAINLESS STEEL

SCALE N.S.

PART NO. SJ10600- SS