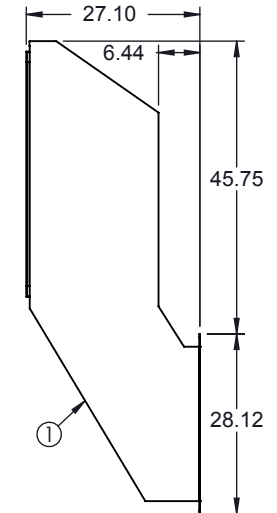
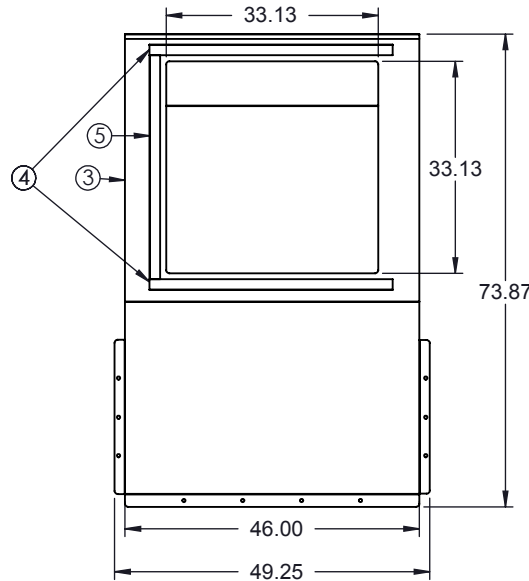
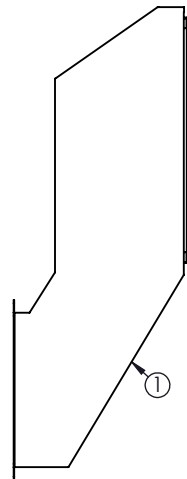
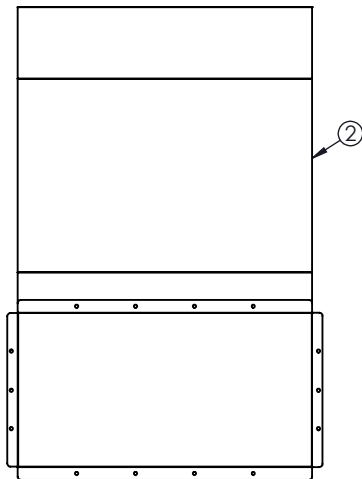
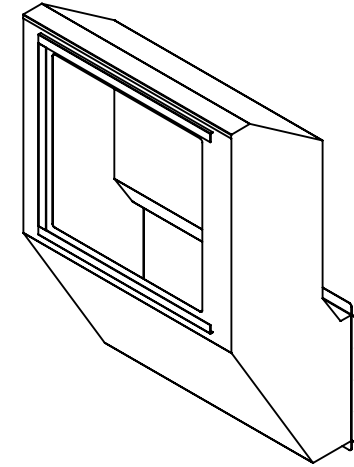
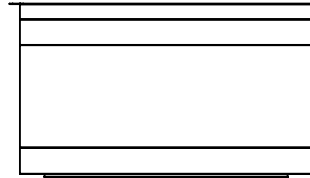


PROPRIETARY DATA

SJ14000

PROPERTY OF DEN HARTOG MFG., INC. INFORMATION FURNISHED HEREIN IS THE PROPERTY OF ACE ROTO-MOLD MFG., INC. AND SHALL NOT BE USED, DISCLOSED TO OTHERS, OR COPIED WITHOUT THE EXPRESSED WRITTEN CONSENT OF ACE ROTO-MOLD MFG., INC. ALL RIGHTS RESERVED.

KEY	PART NUMBER	MATERIAL	DESCRIPTION	QTY.
1	12508	S-16GA-SS	SHEET, 16GA SS	2 @ 1282.84 SI(2565.68 SI)
2	12509	S-16GA-SS	SHEET, 16GA SS	46" X 66.5"(3059 SI)
3	12510	S-16GA-SS	SHEET, 16GA SS	46" X 87"(4002 SI)
4	12513	S-16GA-SS	SHEET, 16GA SS	2 @ 76 SI(152 SI)
5	12514	S-16GA-SS	SHEET, 16GA SS	35" X 2"(70 SI)



REV	DESCRIPTION	BY / DATE	CCN

DRAWN / DATE ADH 11/26/07	MATERIAL
APPRD. / DATE DHJ 11/13/07	

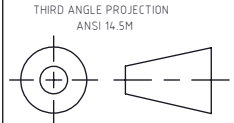


**Den Hartog**  
INDUSTRIES, INC.

Ace Roto-Mold Injection Molding Blow Molding Sowjoy  
4010 HOSPERS DRIVE S. BOX 425, HOSPERS, IOWA 51238-0421

ALL DIMENSIONS ARE IN DECIMAL INCHES  
TOLERANCES UNLESS OTHERWISE SPECIFIED

DECIMAL ± .125"  
FRACTION ± 1/4"  
ANGLE ± 1°



NOTES:

DESCRIPTION	STAINLESS STEEL FAN TRANSITION	
SCALE	N.S.	PART NO. SJ14000