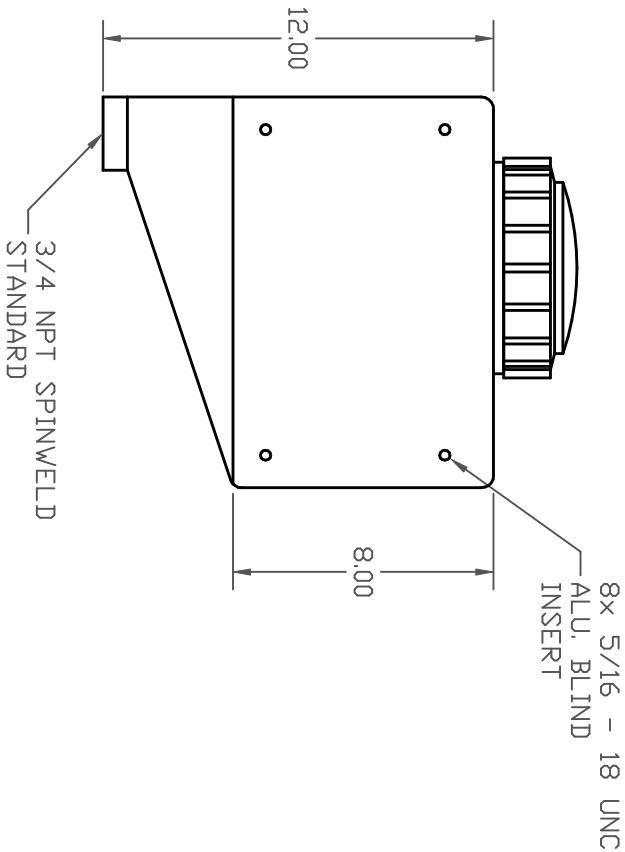
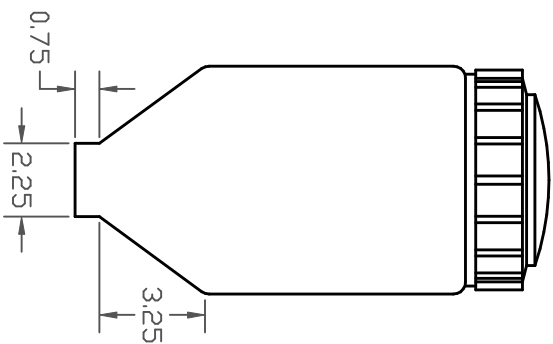
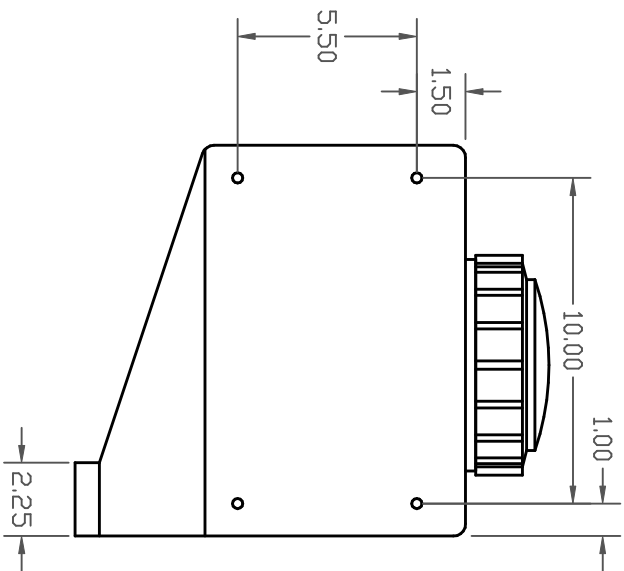
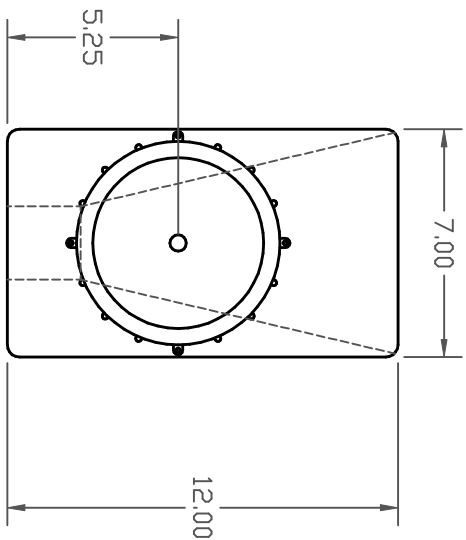


SP0003-RT



DRAWN / DATE DHJ 1/6/05		MATERIAL / SHOT WEIGHT 3 LBS.	
APPRD. / DATE		NOTES: .188 WALL	
THIRD ANGLE PROJECTION ANSI 14.5M			

REV	DESCRIPTION	DATE APPRD.	<p>ALL DIMENSIONS ARE IN DECIMAL INCHES TOLERANCES UNLESS OTHERWISE SPECIFIED ± 1% @ 68° F</p>

Ace Roto-Mold

 A DIVISION OF DEN HARTOG INDUSTRIES, INC.

CLIENT / DESCRIPTION
THREE GALLON SQUARE

SCALE
 NONE

PART NO.
SP0003-RT