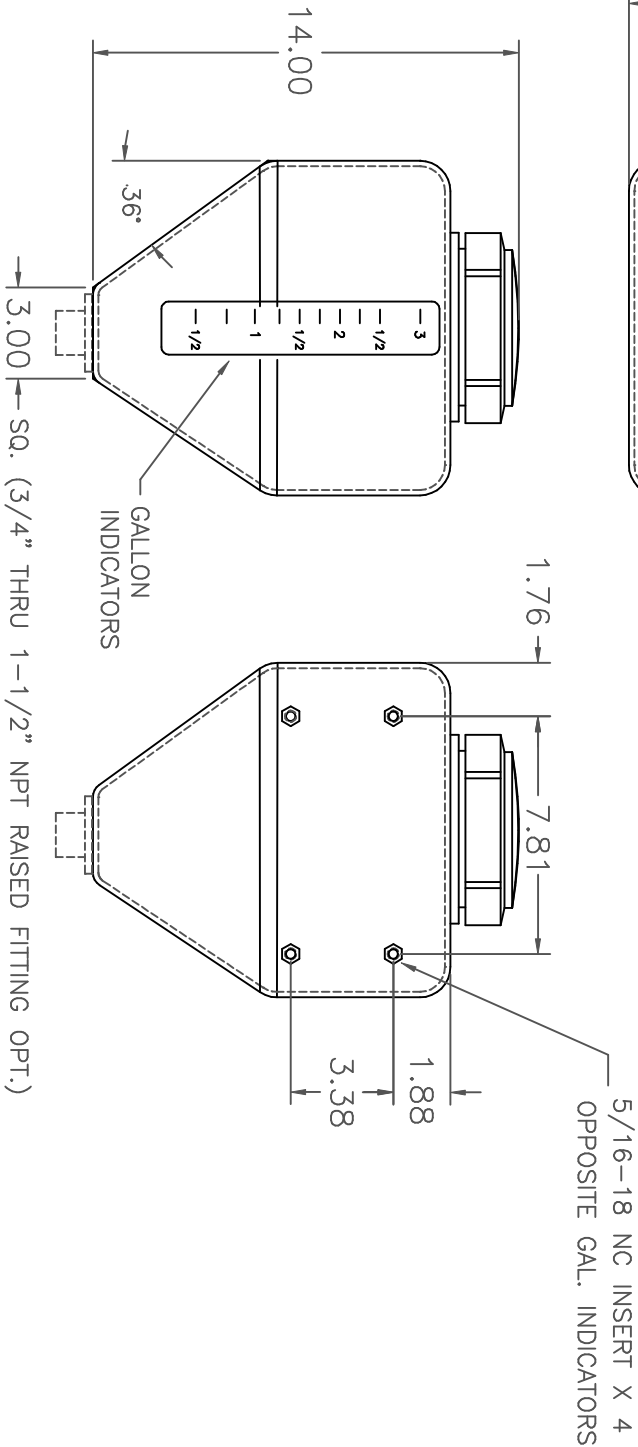
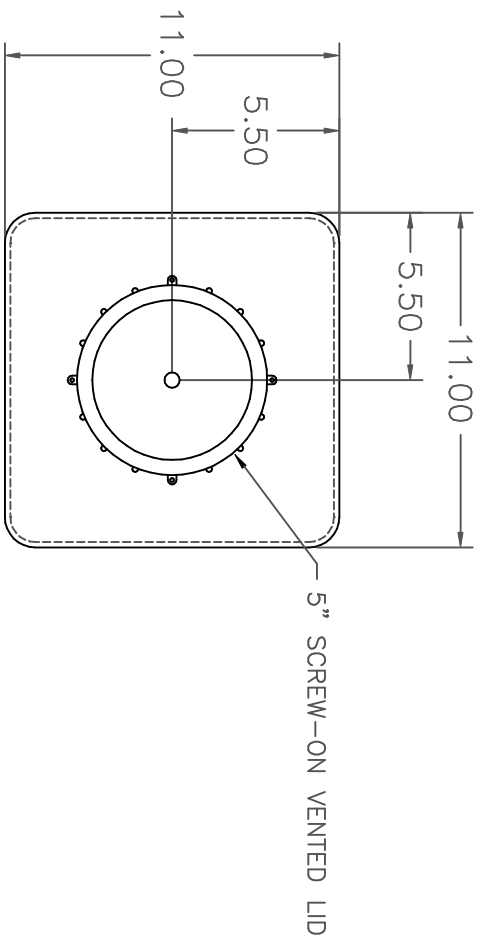


SP0004-SQ5

B



REV	DESCRIPTION	DATE	APPRD
B	ADD HEIGHT DIM	8/29/06	
A	CHANGE 6" LID TO 5"	12/30/05	

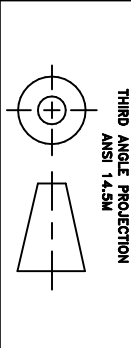
DRAWN / DATE	REH/1/16/97
APPRD. / DATE	REH/1/16/97

MATERIAL / SHOT WEIGHT			
M111	M135	M134	7902
	5.5		

ACE ROTO-MOLD
 A DIVISION OF DEN HARTOG INDUSTRIES, INC.
 HIGHWAY 60 SOUTH, HOSPERS, IOWA

CLIENT / DESCRIPTION
 ACE 4 GAL. MINI-INDUCTOR TANK

ALL DIMENSIONS ARE IN DECIMAL INCHES
 TOLERANCES UNLESS OTHERWISE SPECIFIED
 + .5% @ 68° F



NOTES:
 1. 2.7% SHRINK ALLOWANCE
 2. SHIP PART W/CAP INSTALLED

SCALE N.S.

PART NO. YELLOW COLOR = SP0004-SQ5-Y
 WHITE COLOR = SP0004-SQ5-W