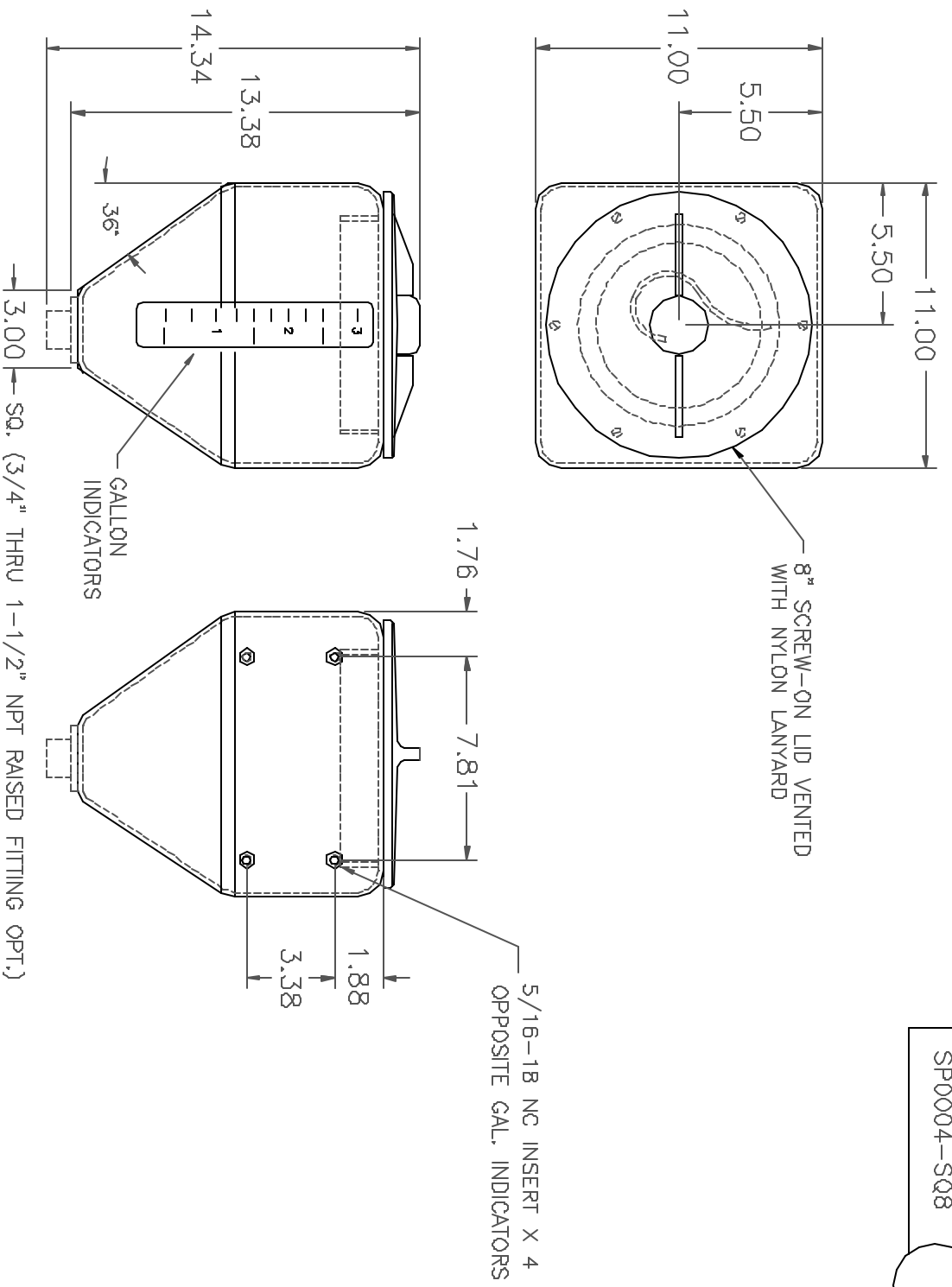
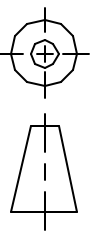


SP0004-SQ8



REV	DESCRIPTION	DATE	APPRD	DRAWN / DATE	REH / DATE	MATERIAL / SHOT WEIGHT
				REH / 1/18/97		M111 M135 M134 7902
				APPRD. / DATE	REH / 1/18/97	5.6

THIRD ANGLE PROJECTION  
ANSI 14.0M



ALL DIMENSIONS ARE IN DECIMAL INCHES  
TOLERANCES UNLESS OTHERWISE SPECIFIED  
+ .5% @ 88° F

NOTES:  
1. 2.7% SHRINK ALLOWANCE  
2. SHIP PART W/CAP INSTALLED

CLIENT / DESCRIPTION		ACE 4 GAL. MINI-INDUCTOR TANK	
SCALE		N.S.	
PART NO.		YELLOW COLOR = SP0004-SQ8-Y WHITE COLOR = SP0004-SQ8-W	
ACE PROTO-MOLD A DIVISION OF DEN HARTOG INDUSTRIES, INC. HIGHWAY 80 SOUTH, HOSPERS, IDWA			