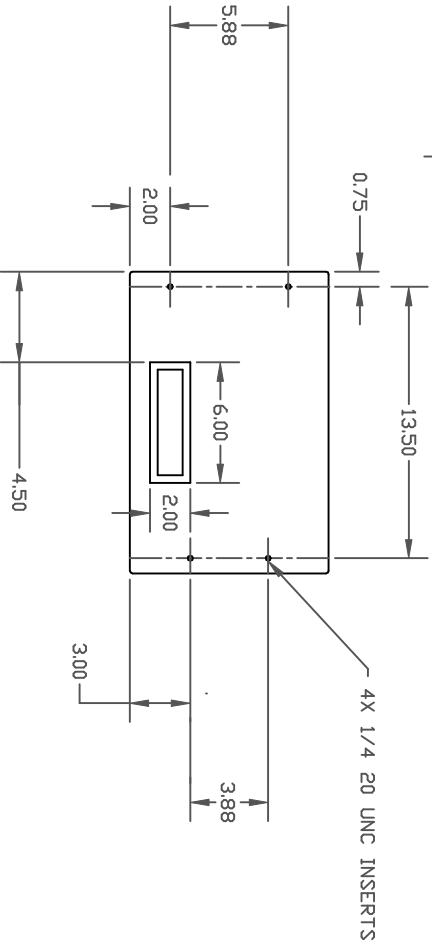
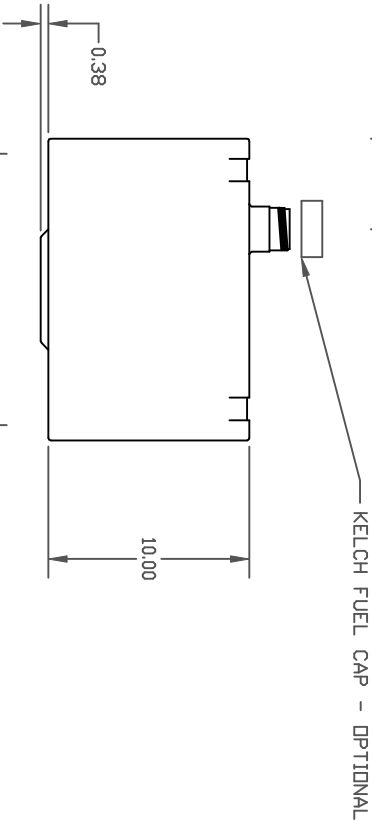
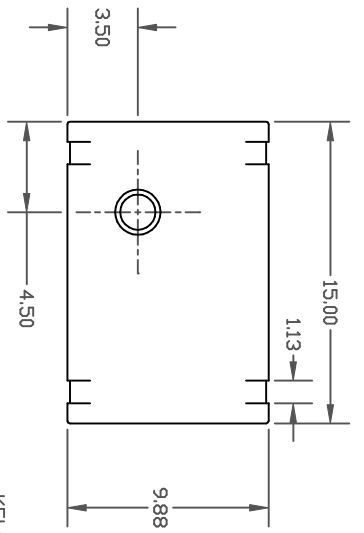


Copyright. All information furnished within this document, electronic file or design correspondence is the property of Den Hartog Industries Inc. and shall not be used, disclosed to others or copied without the expressed written consent of Den Hartog Industries, Inc.



REVISED INSERT DIM.			DATE	APVD	DRAWN		DATE	6 GAL FUEL TANK		
DESCRIPTION			DATE	APVD	CHECKED		DATE	Ace Roto-Mold		
REVISIONS					APPROVED		DATE	A DIVISION OF DEN HARTOG INDUSTRIES, INC.		
MATERIAL			4.2 LB. XLPE		THIRD ANGLE PROJECTION			4018 HWY. 60 BLYD., BOX 421, HOSPERERS, IOWA 51238		
UOS ALL RADII			.125		THIRD ANGLE PROJECTION			SCALE NONE		
UOS SURFACE FINISH			✓		THIRD ANGLE PROJECTION			SHEET		
UOS DIMENSIONS ARE IN INCHES			± 1/32		THIRD ANGLE PROJECTION			DF		
GENERAL TOLERANCES			± 1/32		THIRD ANGLE PROJECTION			REV B		