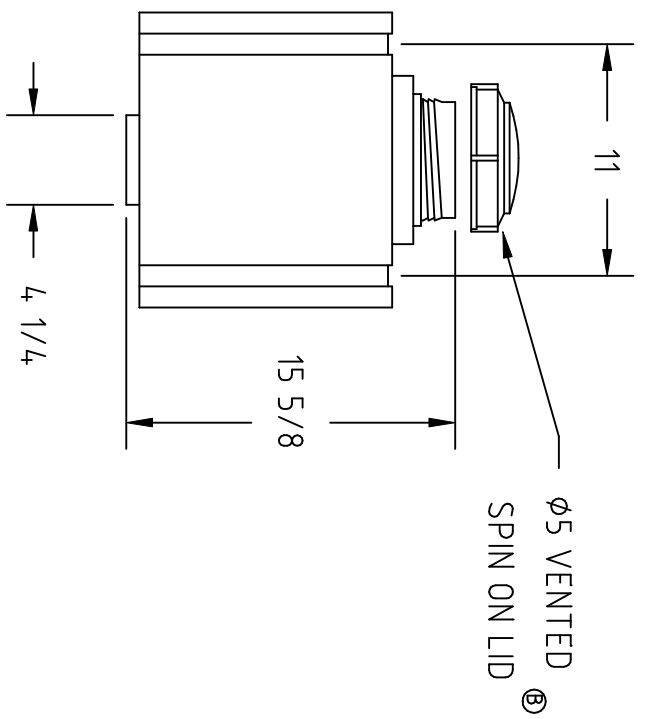
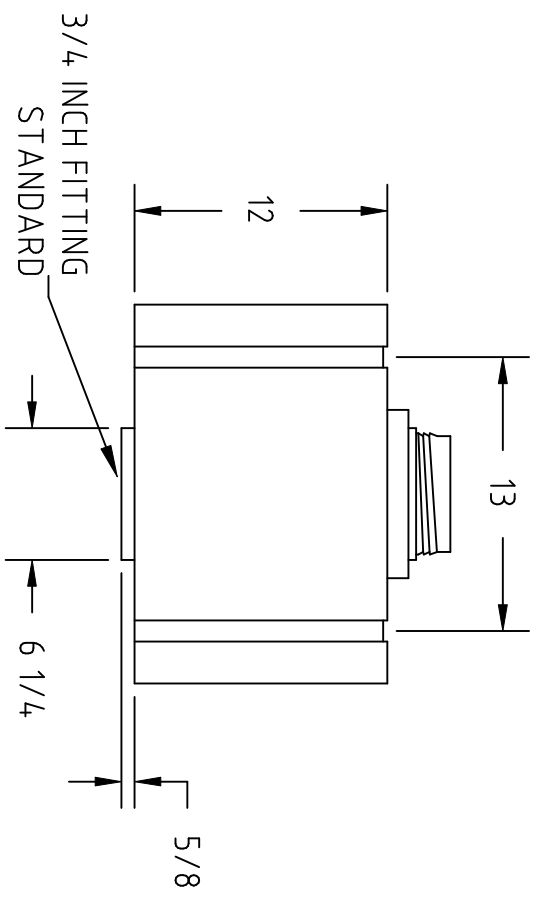
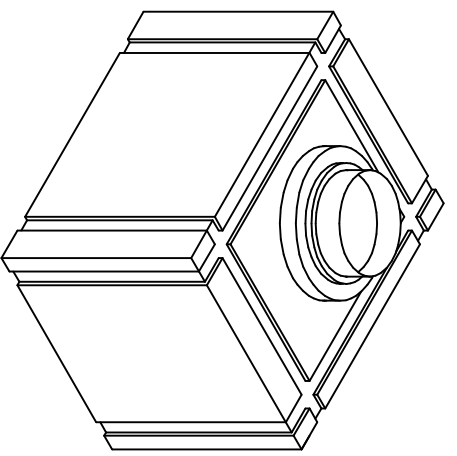
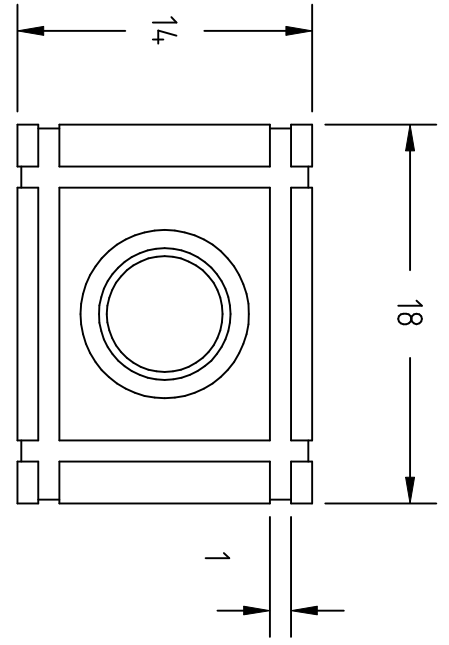


© DEN HARTOG INDUSTRIES, INC.  
 Copyright: All information furnished within this document, electronic file or design correspondence is the property of Den Hartog Industries, Inc. and shall not be used, disclosed to others or copied without the expressed written consent of Den Hartog Industries, Inc.



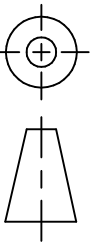
B	TOLERANCE, WEIGHT, ADDRESS, LID SIZE UPDATED: CON 1852	5/5/09 ADH	
A	ADDED FITTING DESCRIPTION	12/8/04	DATE APVD
SCALE NONE			

DRAWN DEAN	DATE 2-17-94
APPROVED ADH	DATE 11-15-07
THIRD ANGLE PROJECTION	

MATERIAL HIGH DENSITY POLYETHYLENE	PART WEIGHT 9 LBS. Ⓟ
--	-------------------------

PART NO. SP0012-RT	
SIZE A	
DWG NO. SP0012-RT	
REV B	

UOS DIMENSIONS ARE IN INCHES  
 GENERAL TOLERANCES  
 ±1% Ⓟ 68°F Ⓟ



**ACE ROTO-MOLD** Ⓟ  
 4010 HOSPERS DRIVE S. BOX 425, HOSPERS, IOWA 51238-0421