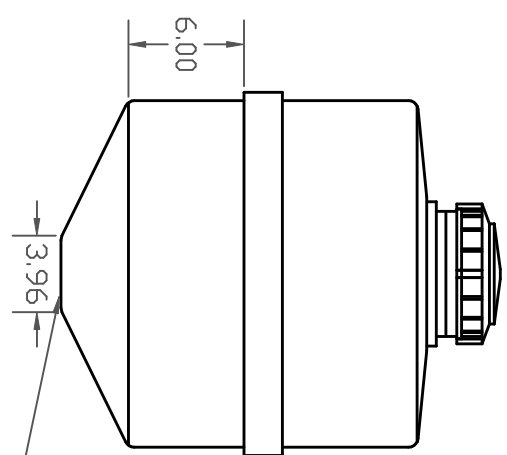
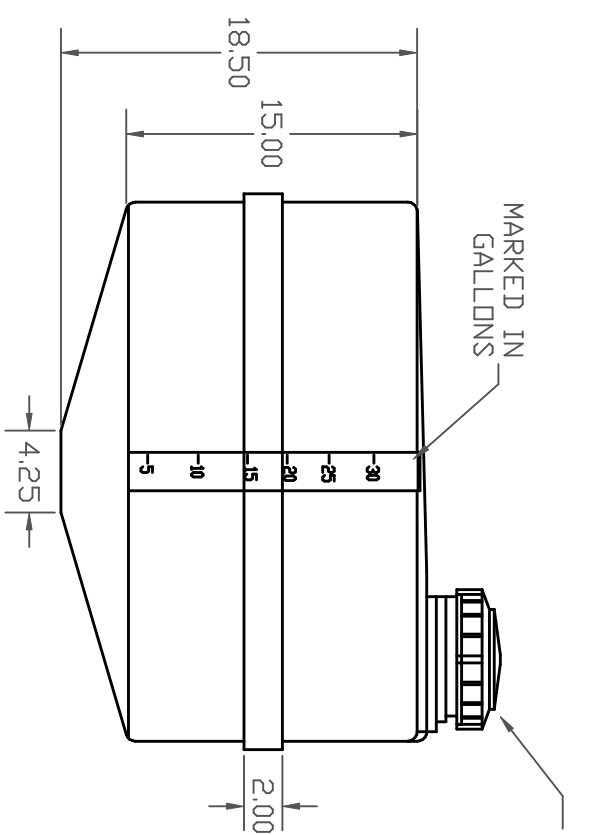
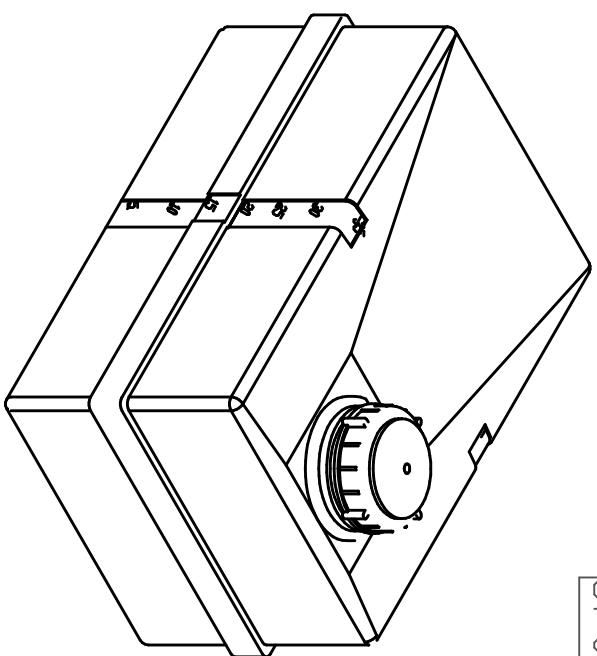
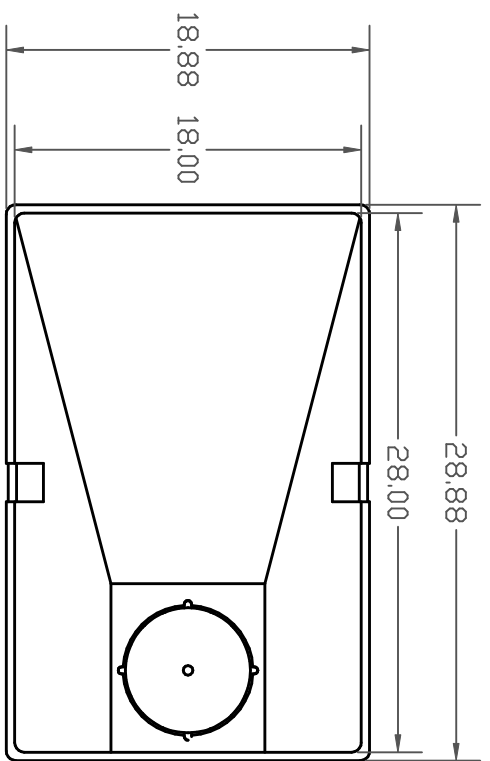

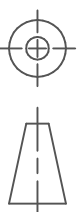


SP0035-RT



 <p>Ace Roto-Mold A DIVISION OF DEN HARTOG INDUSTRIES, INC.</p>		<p>MATERIAL / SHOT WEIGHT 17 LBS.</p>		<p>DRAWN / DATE DHJ 5/14/04</p>	
<p>CLIENT / DESCRIPTION 35 GALLON RECTANGLE</p>		<p>NOTES: 0.200 WALL</p>		<p>APPRD. / DATE</p>	
<p>SCALE NONE</p>		<p>THIRD ANGLE PROJECTION ANSI 14.5M</p> 		<p>DATE APPRD.</p>	
<p>PART NO. SP0035-RT</p>		<p>ALL DIMENSIONS ARE IN DECIMAL INCHES TOLERANCES UNLESS OTHERWISE SPECIFIED ±1% @ 68° F</p>		<p>DESCRIPTION</p>	