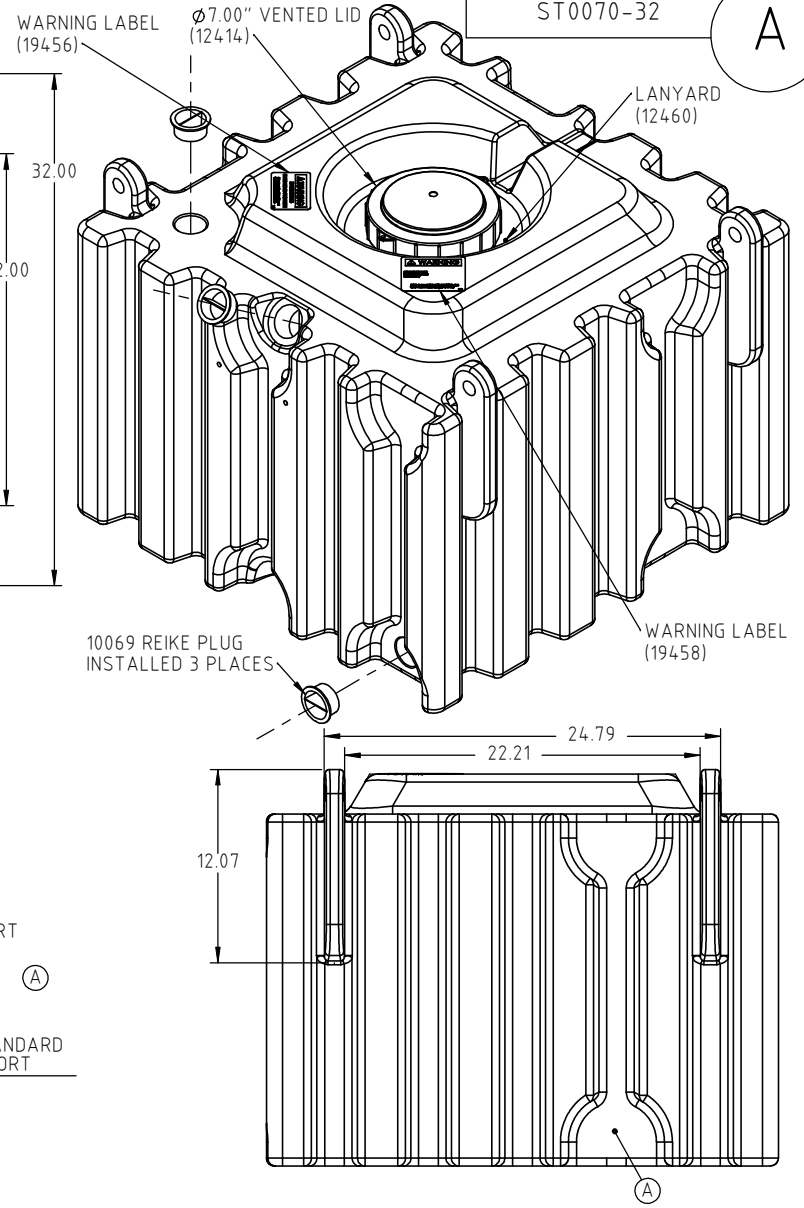
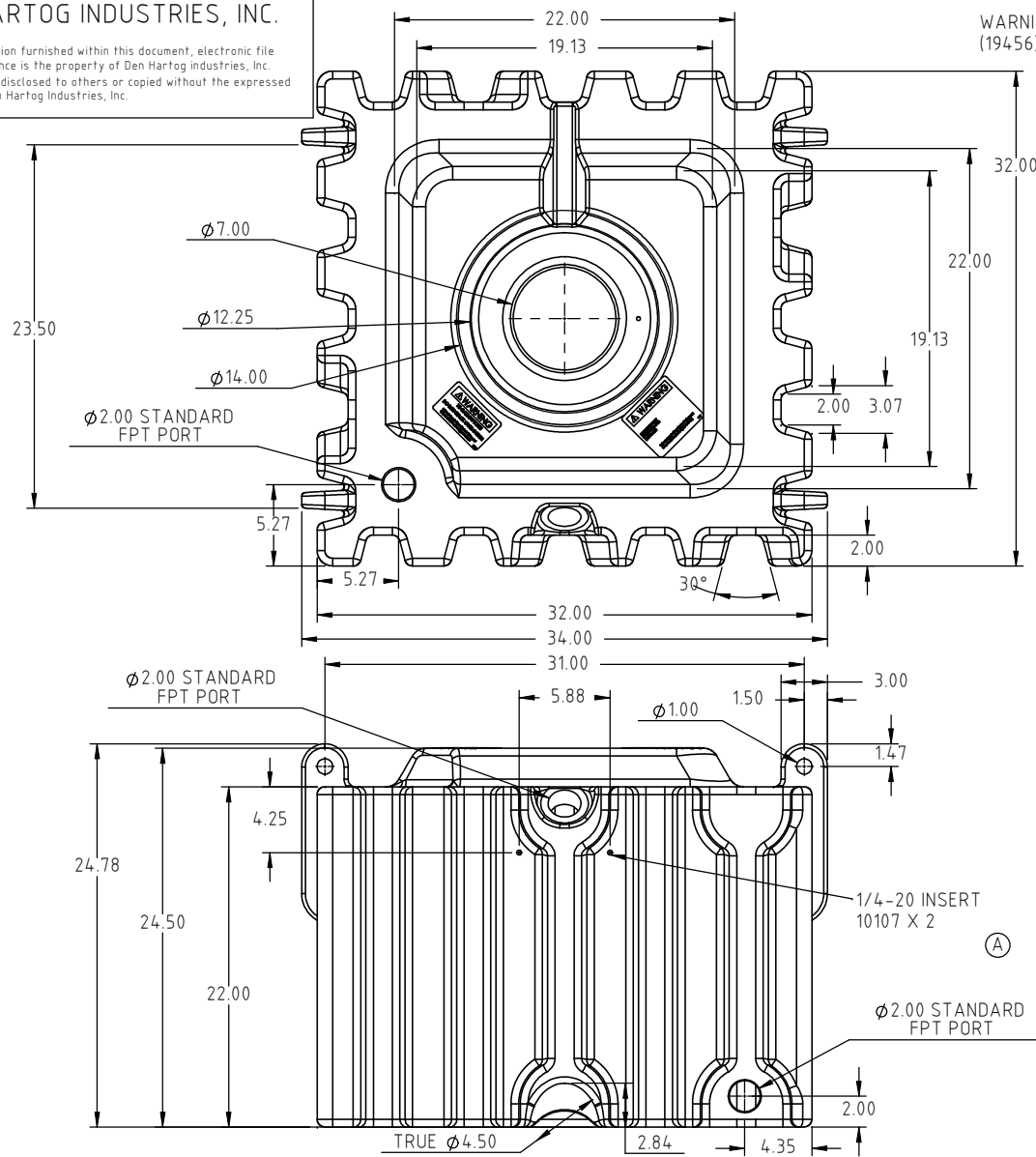


© DEN HARTOG INDUSTRIES, INC.


Copyright. All information furnished within this document, electronic file or design correspondence is the property of Den Hartog Industries, Inc. and shall not be used, disclosed to others or copied without the expressed written consent of Den Hartog Industries, Inc.



ST0070-32

A

				DRAWN / DATE ADH 5/22/08	MATERIAL 10539
A	FITTING FLATS AND INSERTS ADDED DRAWING TEMPLATE UPDATED	ADH 10/22/09	1954	APPRD. / DATE REH 7/7/08	
REV	DESCRIPTION	BY / DATE	CCN		
ALL DIMENSIONS ARE IN DECIMAL INCHES TOLERANCES UNLESS OTHERWISE SPECIFIED		THIRD ANGLE PROJECTION ANSI 14.5M		SHOT WEIGHT: 40 lb.	NOTES: 1.) NOM. WALL THICKNESS = 0.180
POLYETHYLENE ±1% @ 68°F	METAL DECIMAL ± .125" FRACTION ± 1/4" ANGLE ± 1°			SHIPPING WEIGHT: 42 lb.	
				FINISH:	



Den Hartog

INDUSTRIES, INC.

Acra Roto-Mold Injection Molding Blow Molding Sowjoy

4010 HOSPERS DRIVE S. BOX 425, HOSPERS, IOWA 51238-0425

DESCRIPTION 70 GALLON TOTE	
SCALE N.S.	PART NO. ST0070-32