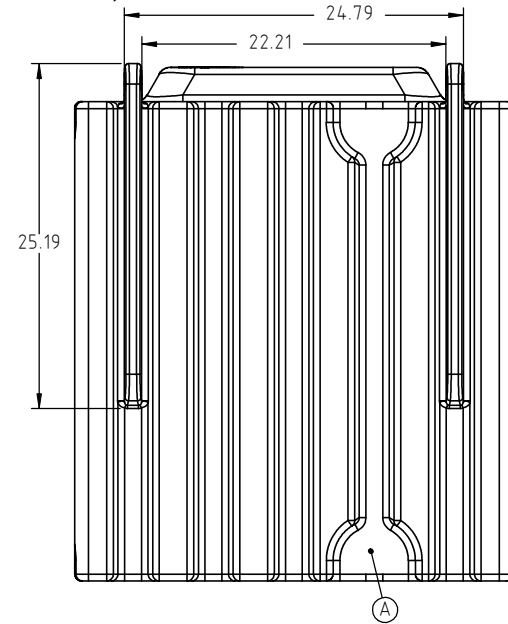
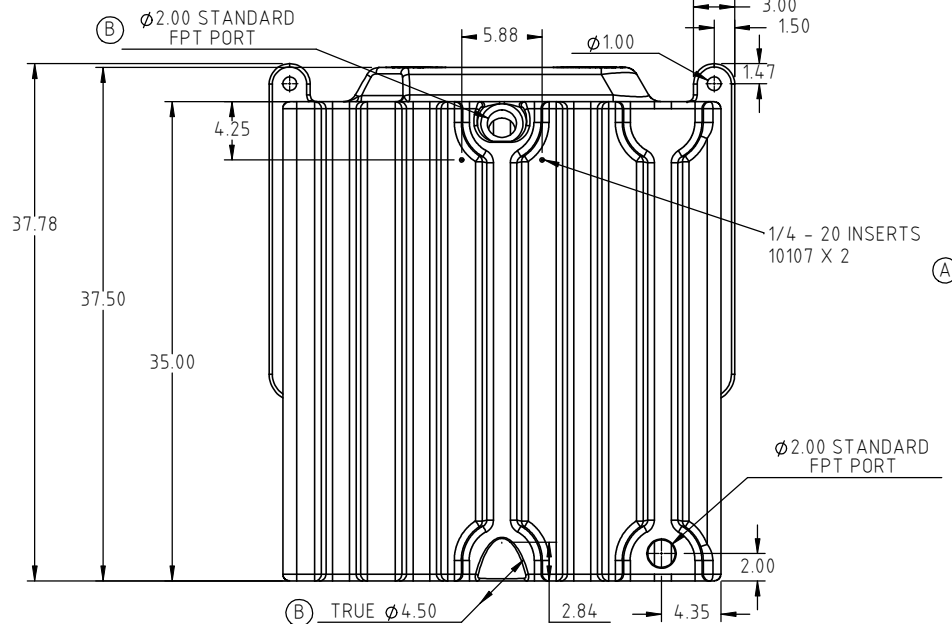
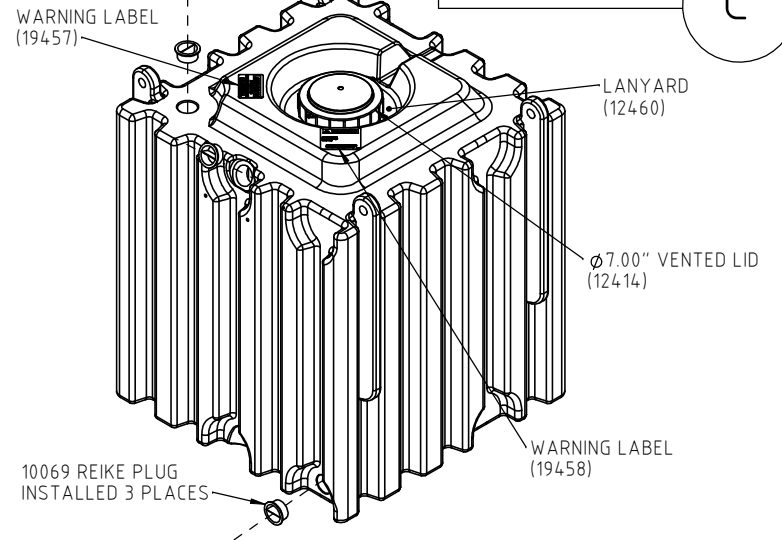
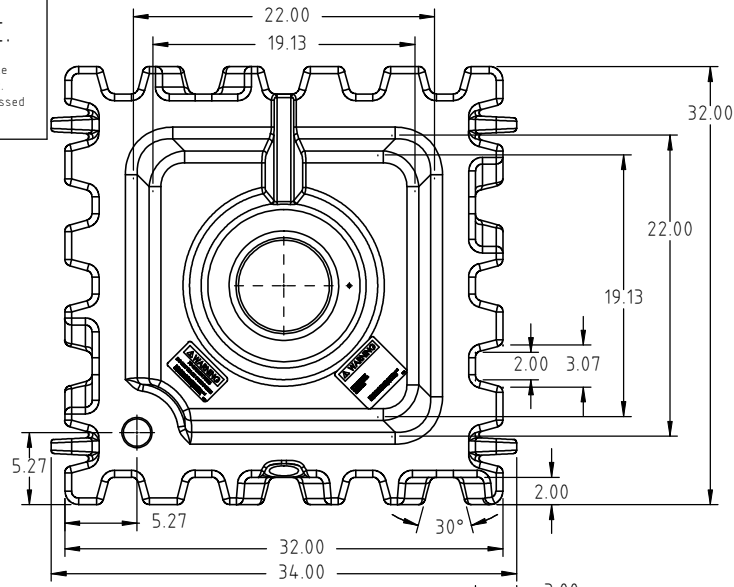


© DEN HARTOG INDUSTRIES, INC.

Copyright. All information furnished within this document, electronic file or design correspondence is the property of Den Hartog industries, Inc. and shall not be used, disclosed to others or copied without the expressed written consent of Den Hartog Industries, Inc.

ST0120-32

C



C	10420 WAS 10539	ADH 9/20/10	2086	DRAWN / DATE	MATERIAL C 10420
B	PORT LOCATION/ANGLE CHANGED	ADH 9/14/10	2083	ADH 5/22/08	
A	FITTING FLATS AND INSERTS ADDED DRAWING TEMPLATE UPDATED	ADH 10/22/09	1954	APPRD. / DATE	
REV	DESCRIPTION	BY / DATE	CCN	REH 7/7/08	
ALL DIMENSIONS ARE IN DECIMAL INCHES TOLERANCES UNLESS OTHERWISE SPECIFIED		THIRD ANGLE PROJECTION ANSI 14.5M		SHOT WEIGHT:	NOTES: 1.) WALL THICKNESS 0.200
POLYETHYLENE		METAL DECIMAL ± .125" FRACTION ± 1/4" ANGLE ± 1°		SHIPPING WEIGHT:	
±1% @ 68°F		FINISH:			



Den Hartog
INDUSTRIES, INC.

Ace Roto-Mold Injection Molding Blow Molding Sowjoy

4010 HOSPERS DRIVE S. BOX 425, HOSPERS, IOWA 51238-0425

DESCRIPTION		120 GALLON TOTE	
SCALE	N.S.	PART NO.	ST0120-32