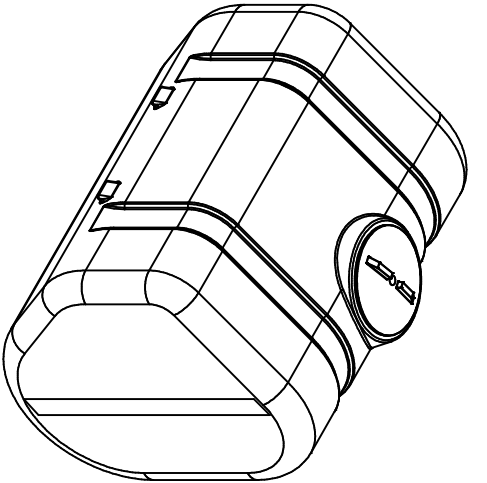
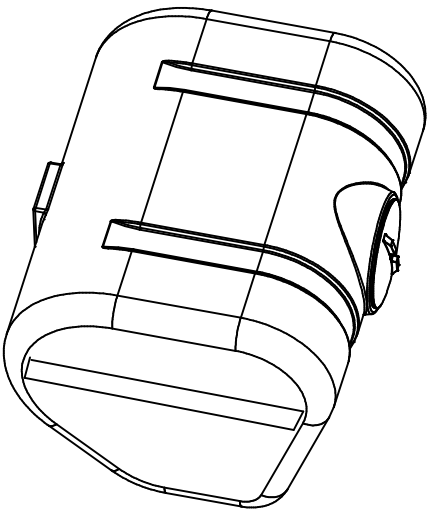


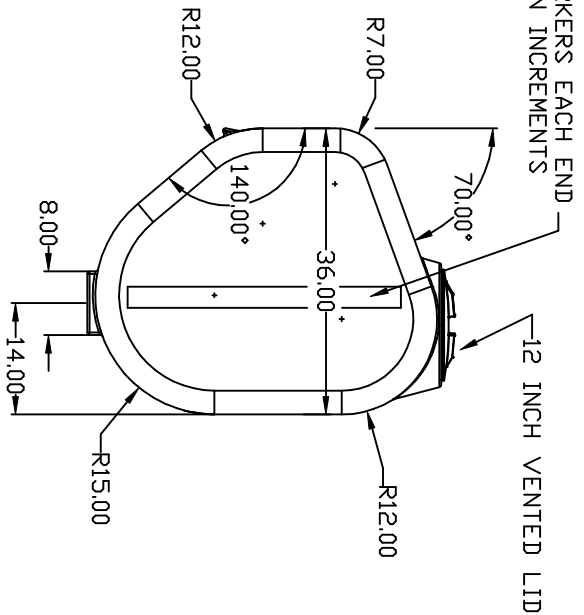
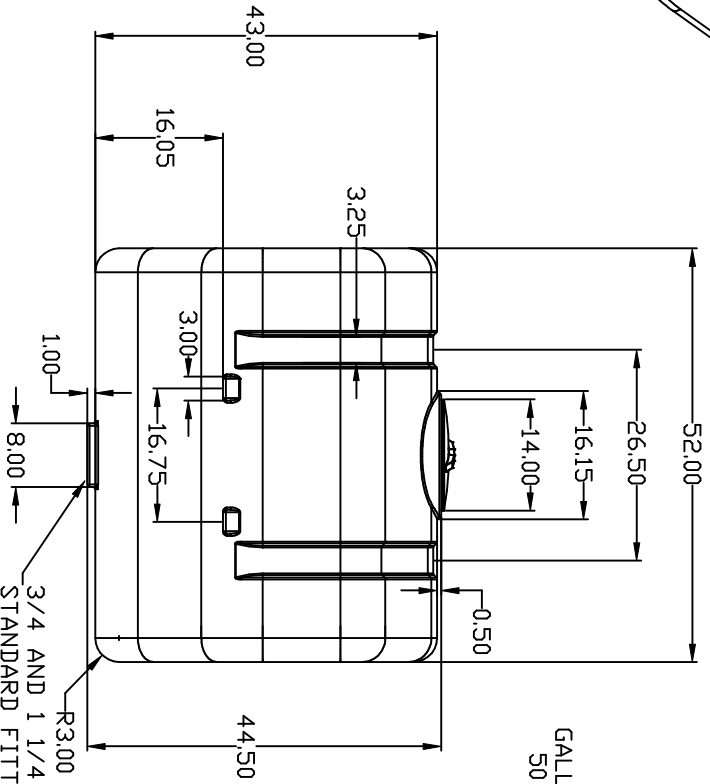
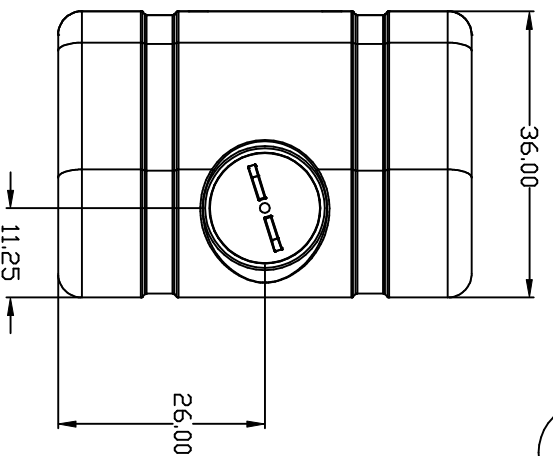
PROPRIETARY DATA

PROPERTY OF ACE ROTO-MOLD MFG., INC. INFORMATION FURNISHED HEREIN IS THE PROPERTY OF ACE ROTO-MOLD MFG., INC. AND SHALL NOT BE USED, DISCLOSED TO OTHERS, OR COPIED WITHOUT THE EXPRESSED WRITTEN CONSENT OF ACE ROTO-MOLD MFG., INC. ALL RIGHTS RESERVED.



TD0250-36

B



ALL RADII ARE 0.3 UNLESS OTHERWISE SPECIFIED

REV	DESCRIPTION	DATE	APPRD
B	RELOCATED GAL. MARKERS	5/19/05	
A	REVISE PART NUMBER	12/14/05	

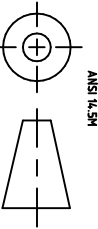
DRAWN / DATE

NVE 7/14/05

APPRD. / DATE

REH/1/9/06

THIRD ANGLE PROJECTION  
ANSI 1:5M



MATERIAL

POLYETHYLENE  
REFER TO MATERIAL DATA SHEET  
FOR SPECIFIC PROPERTIES.

NOTES:

1. NOM. WALL @ 280
2. SHOT WEIGHT 95 LBS.

CLIENT / DESCRIPTION

250 GALLON TEAR DROP TANK



ACE ROTO-MOLD

A DIVISION OF DEN HARTOG INDUSTRIES, INC.  
4018 HWY. 60 BLVD., BOX 421, HOSPERS, IOWA 51238

ALL DIMENSIONS ARE IN DECIMAL INCHES  
TOLERANCES UNLESS OTHERWISE SPECIFIED

+ 1% @ 68° F

SCALE

N.S.

PART NO.

TD0250-36