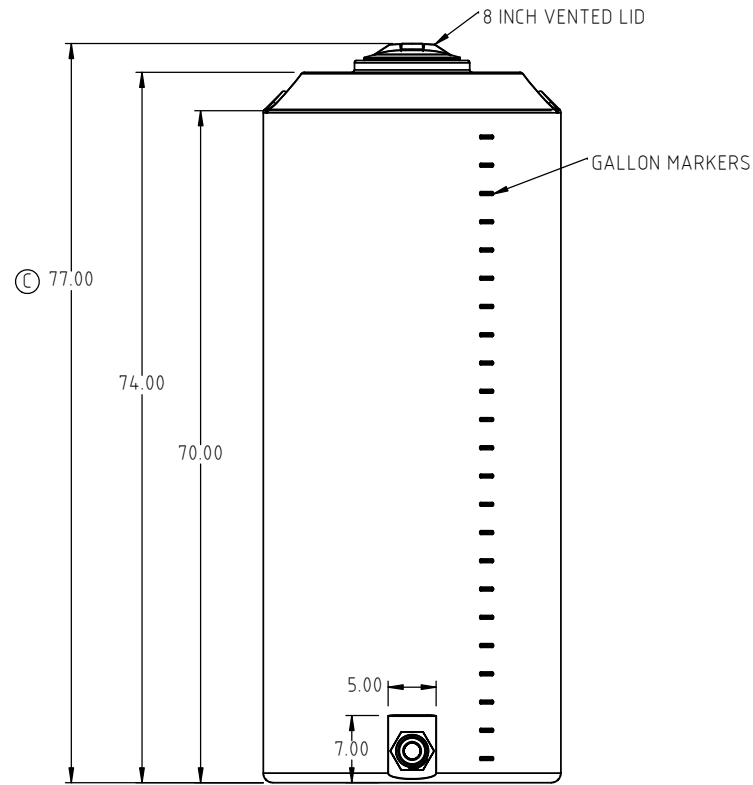
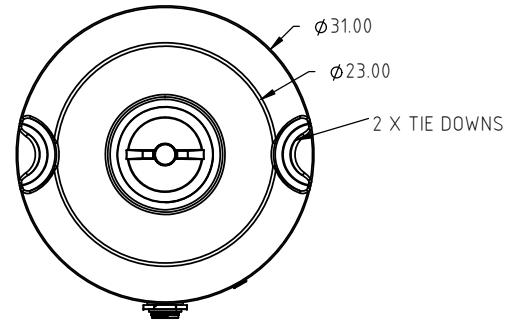


Copyright. All information furnished within this document, electronic file or design correspondence is the property of Den Hartog Industries, Inc. and shall not be used, disclosed to others or copied without the expressed written consent of Den Hartog Industries, Inc.



C	77.00" WAS 76.00"	ADH 8/6/19	3825	DRAWN / DATE DHJ 5/1/03	MATERIAL HDPE
B	ADDRESS ADDED	ADH 5/5/09	1855	APPRD. / DATE ADH 11/19/07	
A	ADDED DIM. 76.00	NVE 8/26/05			
REV	DESCRIPTION	BY / DATE	CCN		
ALL DIMENSIONS ARE IN DECIMAL INCHES TOLERANCES UNLESS OTHERWISE SPECIFIED		THIRD ANGLE PROJECTION ANSI 14.5M		SHOT WEIGHT: 65.00 LBS	NOTES: 1.) NOM. WALL 0.250" 2.) BLACK, WHITE, OR YELLOW COLOR
POLYETHYLENE		METAL DECIMAL ± .125" FRACTION ± 1/4" ANGLE ± 1°		SHIPPING WEIGHT: 67.00 LBS	
±1% @ 68°F				FINISH:	



Den Hartog
INDUSTRIES, INC.

Ace Roto-Mold Injection Molding Blow Molding Sowjoy

4010 HOSPERS DRIVE S. BOX 425, HOSPERS, IOWA 51238-0425 (B)

DESCRIPTION 225 GALLON VERTICAL	
SCALE N.S.	PART NO. VT0225-31