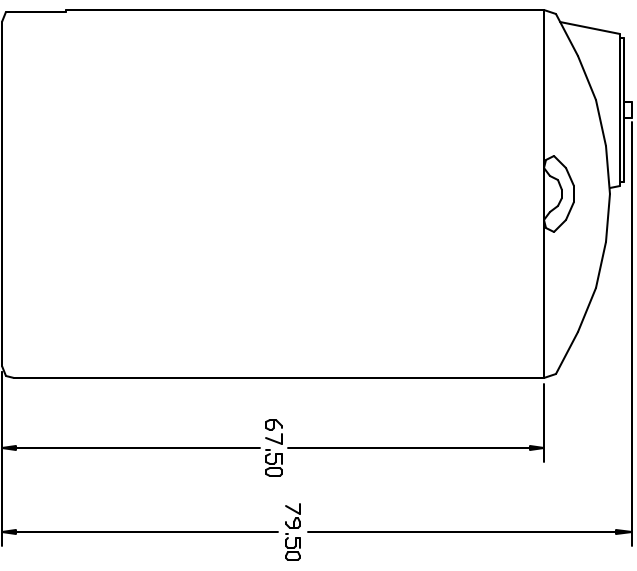
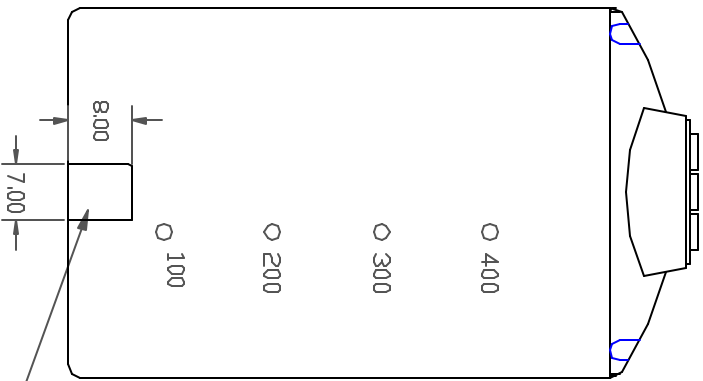
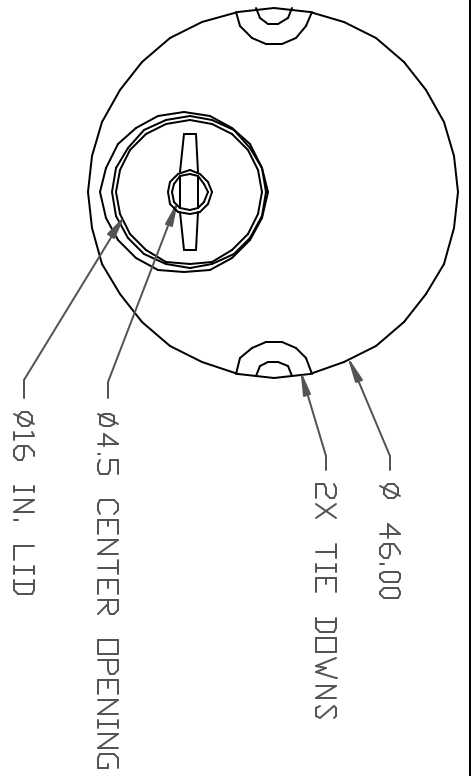


PROPRIETARY DATA

PROPERTY OF ACE ROTO-MOLD MFG. INC. INFORMATION FURNISHED HEREIN IS THE PROPERTY OF ACE ROTO-MOLD MFG. INC. AND SHALL NOT BE USED, DISCLOSED TO OTHERS, OR COPIED WITHOUT THE EXPRESSED WRITTEN CONSENT OF ACE ROTO-MOLD MFG. INC. ALL RIGHTS RESERVED.

VT0505-46



REV	DESCRIPTION	DATE	APPRD

DRAWN / DATE DHJ 3/19/13		MATERIAL	
APPRD. / DATE		HOPE OR EQUIVALENT REPRODUCE MATERIAL DATA SHEET FOR SPECIFIC PROPERTIES.	

THIRD ANGLE PROJECTION
ANSI X1.9M

NOTES:
1. BLUE, YELLOW, WHITE
OR BLACK COLOR
2. SHOT WEIGHT 118 LBS.

CLIENT / DESCRIPTION	505 GALLON VERTICAL TANK
SCALE	N.S.
PART NO.	VT0505-46



ALL DIMENSIONS ARE IN DECIMAL INCHES
TOLERANCES UNLESS OTHERWISE SPECIFIED
+ 1% @ 68° F