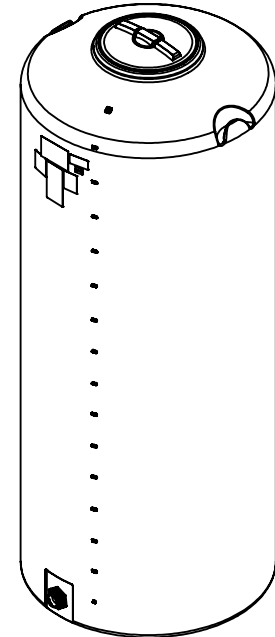
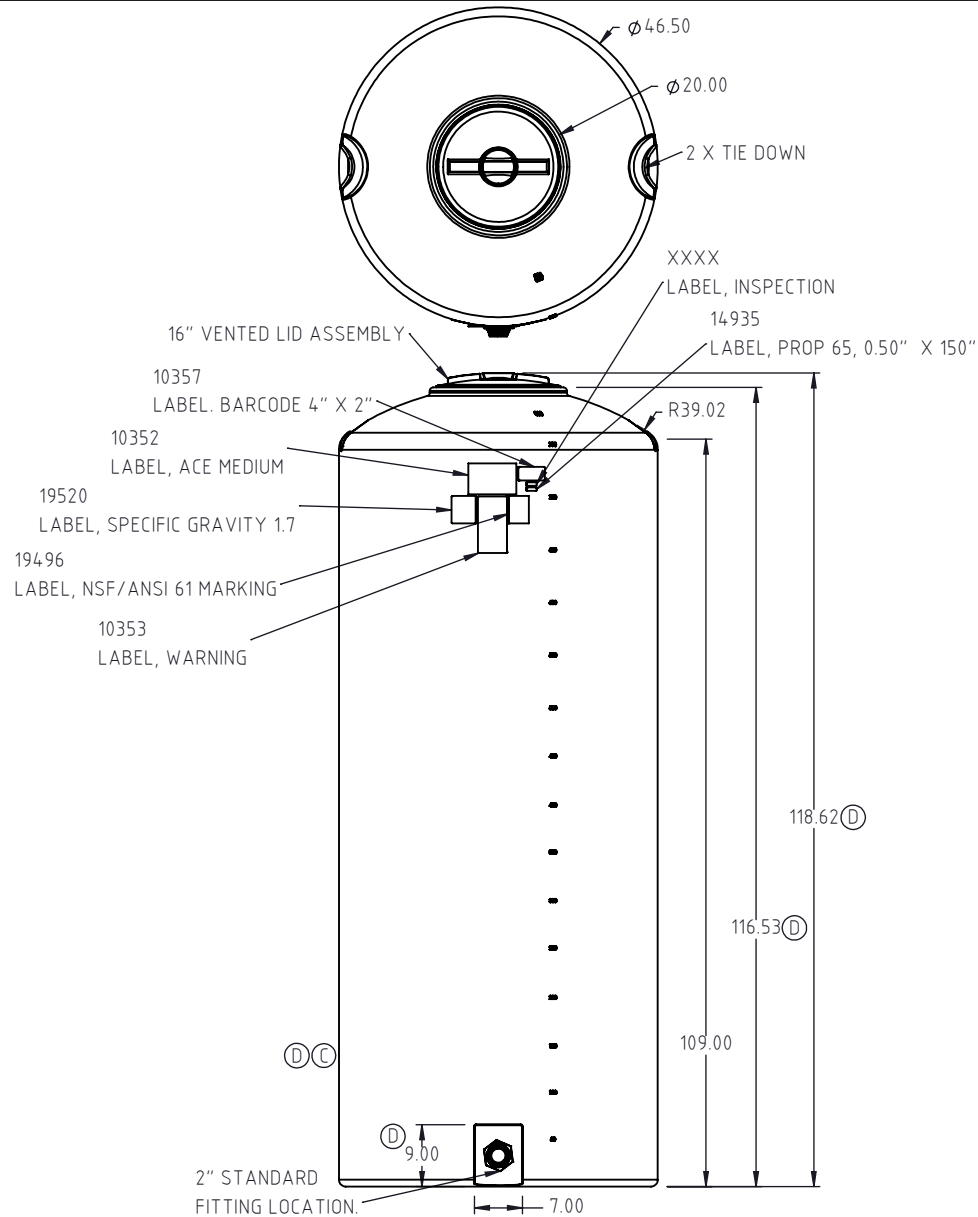


Copyright. All information furnished within this document, electronic file or design correspondence is the property of Den Hartog industries, Inc. and shall not be used, disclosed to others or copied without the expressed written consent of Den Hartog Industries, Inc.



D	RIBS REMOVED. LABELS CALLED OUT. DIMENSIONS UPDATED.	ADH	1/9/2023	4374	DRAWN / DATE REH 4/24/2001	MATERIAL: 10420
C	RIBS SHOWN ON PRINT. DRAWING TEMPLATE UPDATED.	ADH	1/2/2015	2996		
B	UPDATED TOLERANCE.	REH	3/12/2009	1823	APPRD. / DATE REH 4/24/2001	
REV.	DESCRIPTION	BY	DATE	CCN		
ALL DIMENSIONS ARE IN DECIMAL INCHES TOLERANCES UNLESS OTHERWISE SPECIFIED		THIRD ANGLE PROJECTION ANSI 14.5M		SHOT WEIGHT: 175 LBS.	NOTES: NOMINAL WALL THICKNESS: 0.260"	
POLYETHYLENE (B)		METAL DECIMAL ± .125" FRACTION ± 1/4" ANGLE ± 1°		(A) SHIPPING WEIGHT: 177 LBS.		
±1% @ 68° F				FINISH:		



**Den Hartog**  
**INDUSTRIES, INC.**

Ace Roto-Mold • Injection Molding • Blow Molding • Sowjoy  
4010 HOSPERS DRIVE S. BOX 425, HOSPERS, IOWA 51238-0425

DESCRIPTION ACE 800 GALLON VERTICAL TANK		SHEET 1 OF 1	
SCALE N.S.	PART NO. VT0800-46		