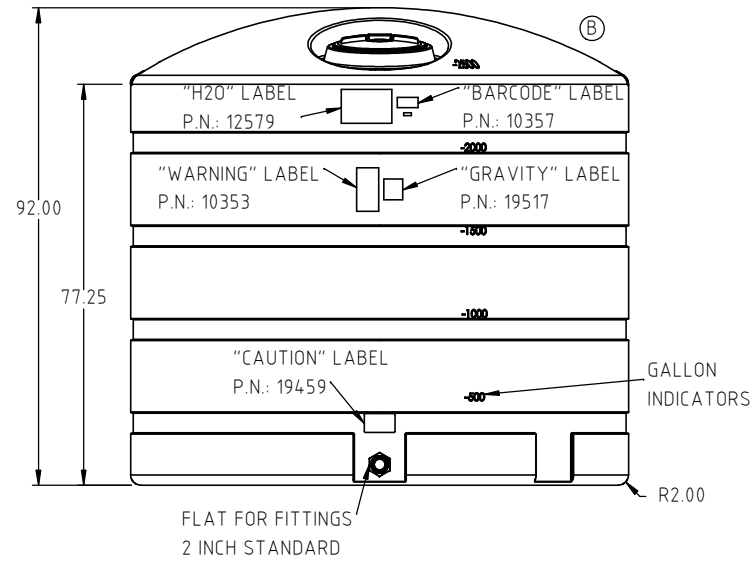
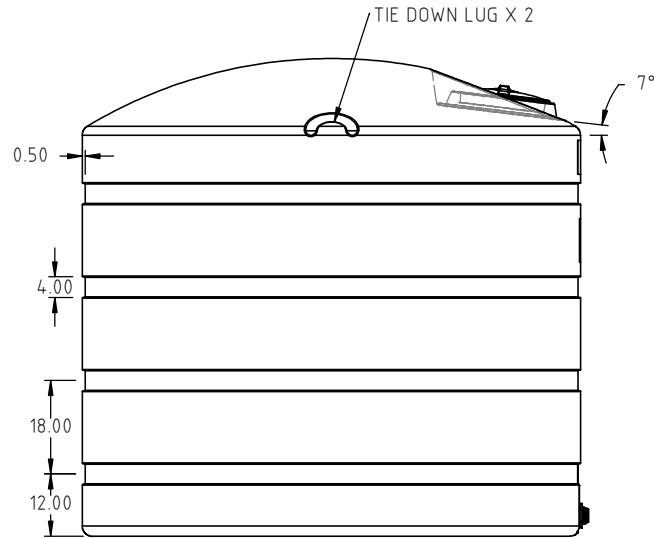
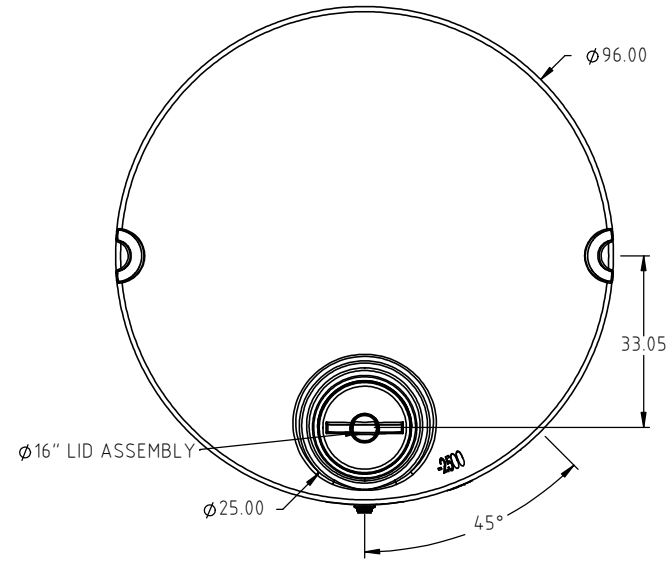


© DEN HARTOG INDUSTRIES, INC.

Copyright. All information furnished within this document, electronic file or design correspondence is the property of Den Hartog industries, Inc. and shall not be used, disclosed to others or copied without the expressed written consent of Den Hartog Industries, Inc.

W02500-VT

B



				DRAWN / DATE DHJ 8/26/08	MATERIAL 1.) MEDIUM DENSITY POLYETHYLENE 2.) P.N. 12550
B	LABEL LOCATION CALLOUTS ADDED TO PRINT	ADH 10/2/17	3433	APPRD. / DATE REH 8/28/08	
A	CAPACITY WAS 2600, HT. WAS 96.00	REH 3/20/09	1829		
REV	DESCRIPTION	BY / DATE	CCN		
ALL DIMENSIONS ARE IN DECIMAL INCHES TOLERANCES UNLESS OTHERWISE SPECIFIED		THIRD ANGLE PROJECTION ANSI 14.5M		SHOT WEIGHT: 390 LBS.	NOTES: 1.) DARK GREEN COLOR
POLYETHYLENE		METAL DECIMAL ± .125" FRACTION ± 1/4" ANGLE ± 1°		SHIPPING WEIGHT: 392 LBS.	
±1% @ 68°F				FINISH:	



Den Hartog
INDUSTRIES, INC.

Acra Roto-Mold Injection Molding Blow Molding Sowjoy

4010 HOSPERS DRIVE S. BOX 425, HOSPERS, IOWA 51238-0425

DESCRIPTION	(A) 2500 GALLON VERTICAL WATER TANK	
SCALE	N.S.	PART NO. W02500-VT