

Copyright. All information furnished within this document, electronic file or design correspondence is the property of Den Hartog Industries, Inc. and shall not be used, disclosed to others or copied without the expressed written consent of Den Hartog Industries, Inc.

LID ONLY DETAIL.

KEY	PART NUMBER	DESCRIPTION	QTY.
1	AST15486	LID, AST BLACK W/ GASKET COMPLETE	1
2	19464	GASKET, 28" AST	1
3	15488	BOLT BAG, LID EXTENSION	1

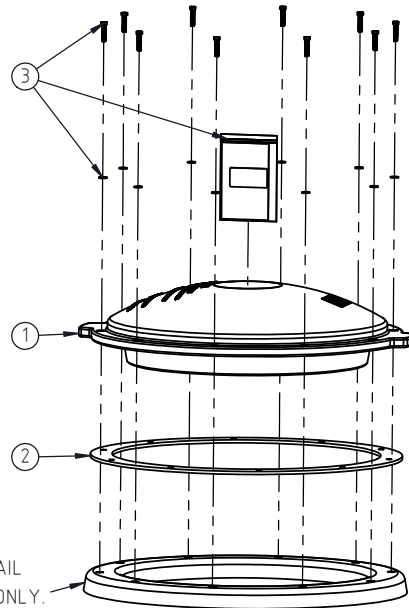


19463 CAUTION LABEL



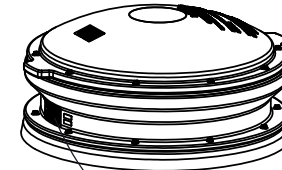
**CAUTION**  
DO NOT OVER TIGHTEN BOLTS  
SNUG UP ALL BOLTS THEN EVENLY TORQUE EACH BOLT TO 12 FT. LB.  
FAILURE TO HEED MAY RESULT IN BOLT FAILURE AND TANK LEAKAGE

TANK LID LOCATION DETAIL SHOWN FOR REFERENCE ONLY.



LID & 7" EXTENSION DETAIL.

KEY	PART NUMBER	DESCRIPTION	QTY.
1	AST15486	LID, AST BLACK W/ GASKET COMPLETE	1
2	AST15448	EXTENSION, 7" BLACK COMPLETE	1
3	19464	GASKET, 28" AST	2
4	15488	BOLT BAG, LID EXTENSION	2

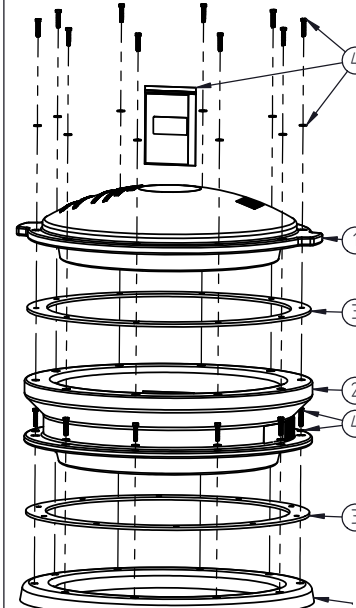


19463 CAUTION LABEL



**CAUTION**  
DO NOT OVER TIGHTEN BOLTS  
SNUG UP ALL BOLTS THEN EVENLY TORQUE EACH BOLT TO 12 FT. LB.  
FAILURE TO HEED MAY RESULT IN BOLT FAILURE AND TANK LEAKAGE

TANK LID LOCATION DETAIL SHOWN FOR REFERENCE ONLY.



LID & 16" EXTENSION DETAIL.

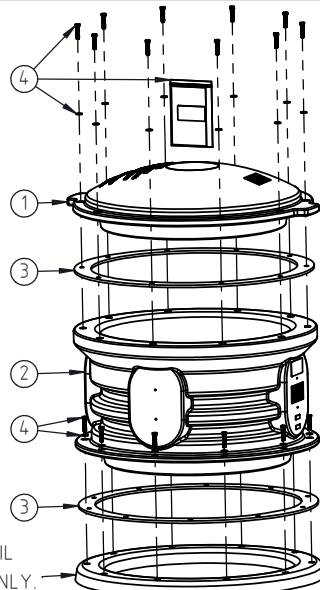
KEY	PART NUMBER	DESCRIPTION	QTY.
1	AST15486	LID, AST BLACK W/ GASKET COMPLETE	1
2	AST15442	EXTENSION, 16" BLACK	1
3	19464	GASKET, 28" AST	2
4	15488	BOLT BAG, LID EXTENSION	2

19463 CAUTION LABEL



**CAUTION**  
DO NOT OVER TIGHTEN BOLTS  
SNUG UP ALL BOLTS THEN EVENLY TORQUE EACH BOLT TO 12 FT. LB.  
FAILURE TO HEED MAY RESULT IN BOLT FAILURE AND TANK LEAKAGE

TANK LID LOCATION DETAIL SHOWN FOR REFERENCE ONLY.



LID & 28" EXTENSION DETAIL.

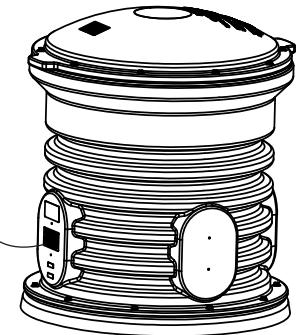
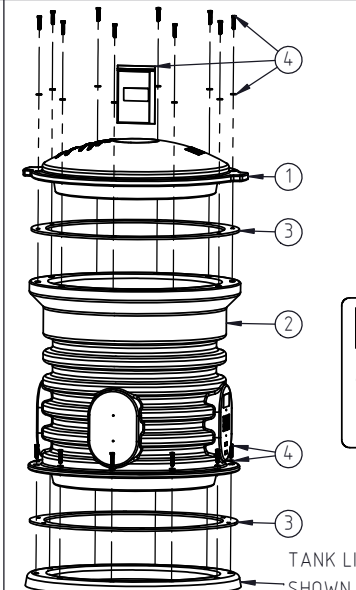
KEY	PART NUMBER	DESCRIPTION	QTY.
1	AST15486	LID, AST BLACK W/ GASKET COMPLETE	1
2	AST15445	EXTENSION, 28" BLACK COMPLETE	1
3	19464	GASKET, 28" AST	2
4	15488	BOLT BAG, LID EXTENSION	2

19463 CAUTION LABEL



**CAUTION**  
DO NOT OVER TIGHTEN BOLTS  
SNUG UP ALL BOLTS THEN EVENLY TORQUE EACH BOLT TO 12 FT. LB.  
FAILURE TO HEED MAY RESULT IN BOLT FAILURE AND TANK LEAKAGE

TANK LID LOCATION DETAIL SHOWN FOR REFERENCE ONLY.



DRAWN / DATE  
ADH 12/4/2024  
APPRD. / DATE  
BES 12/11/2024

MATERIAL :  
SEE COMPONENTS

SHOT WEIGHT:  
SHIPPING WEIGHT:  
FINISH:

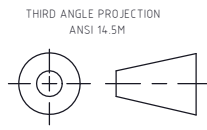
NOTES:  
1.) PART NUMBER & COLOR MAY VARY BY PRODUCT ORDERED.



**Den Hartog INDUSTRIES, INC.**

Ace Roto-Mold • Injection Molding • Blow Molding • Sowjoy  
4010 HOSPERS DRIVE S. BOX 425, HOSPERS, IOWA 51238-0425

REV.	DESCRIPTION	BY	DATE	CCN
	ALL DIMENSIONS ARE IN DECIMAL INCHES TOLERANCES UNLESS OTHERWISE SPECIFIED			
	POLYETHYLENE			
	METAL DECIMAL ± .125" FRACTION ± 1/4" ANGLE ± 1°			



DESCRIPTION	BOLT-ON LID & EXTENSION INSTALLATION DIAGRAM		
SCALE	N.S.	PART NO.	15501
SHEET	1 OF 1		