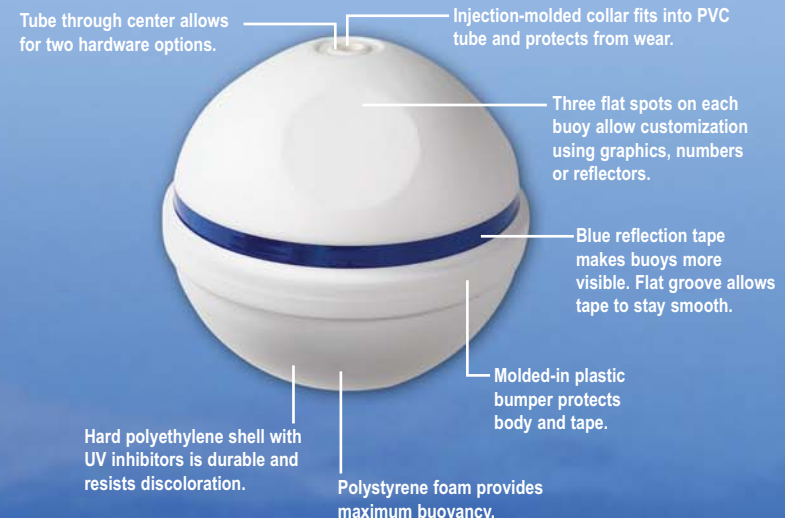


MOORING BUOYS

The innovative design of Ace Mooring Buoys is easy to recognize. Designed to be durable and attractive, the buoys have several new features and can be personalized with little effort. The hard polyethylene shell has UV inhibitors to keep it looking new. Polystyrene foam fills the shell to provide maximum buoyancy. A PVC tube is molded through the center of the buoy to allow for different hardware options. An injection-molded collar captures the tube on each end and protects the buoy from wear.

Buoys can be used to mark waterways, can be rented to boaters mooring at marinas, or can be used to support the line to which you anchor your own watercraft.



BUOYS

- FFMB-1212 12" Foam Filled Bumper Mooring Buoy
- FFMB-1818 18" Foam Filled Bumper Mooring Buoy
- FFMB-2424 24" Foam Filled Bumper Mooring Buoy
- FFMB-3232 32" Foam Filled Bumper Mooring Buoy
- FFMB-3838 38" Foam Filled Bumper Mooring Buoy
- FFMB-4242 42" Foam Filled Bumper Mooring Buoy
- FFMB-3232RND 32" Foam Filled Bumper Mooring Buoy
- FFMB-3838RND 38" Foam Filled Bumper Mooring Buoy
- FFMB-4242RND 42" Foam Filled Bumper Mooring Buoy



MOORING BUOY HARDWARE OPTIONS

1 FIXED MOORING HARDWARE KIT

This hardware kit captures the buoy on both ends and provides a swivel at the top for attachment of the anchor line. A loop is provided at the top for handling the buoy and storage of the watercraft pendant line of the buoy. Never anchor the watercraft directly to this loop. Watercraft must be anchored below the buoy and directly to the anchor line.

2 PASS-THROUGH MOORING HARDWARE KIT

This hardware kit passes through the buoy center tube. The anchor line is attached directly to the line shackle. A bearing plate under the shackle prevents the shackle from passing through the buoy tube. The watercraft's pendant line is fastened directly to the shackle.

Hardware options sold separately.

HARDWARE

- FFMB-12F 12" Fixed Mooring Hardware Kit - bumper
- FFMB-18F 18" Fixed Mooring Hardware Kit - bumper
- FFMB-24F 24" Fixed Mooring Hardware Kit - bumper
- FFMB-32F 32" Fixed Mooring Hardware Kit - bumper
- FFMB-38F 38" Fixed Mooring Hardware Kit - bumper
- FFMB-42F 42" Fixed Mooring Hardware Kit - bumper
- FFMB-32FRND 32" Fixed Mooring Hardware Kit - round
- FFMB-38FRND 38" Fixed Mooring Hardware Kit - round
- FFMB-42FRND 42" Fixed Mooring Hardware Kit - round
- FFMB-P Pass-Through Mooring Hardware Kit - 12" or 18"



BEST VALUE!

BLOW-MOLD DOCK CUSHIONS

Ace Dock Accessories is proud to offer multiple sizes of blow-molded dock cushions that provide excellent protection for your boat.

Made of tough and durable polyethylene with UV inhibitors, blow-molded cushions provide exceptional value for customers by offering high-quality black or white options at a competitive price.

Blow-molded dock cushions are offered in 2-foot, 3-foot and 4-foot lengths with a variety of mounting back options for added installation flexibility.

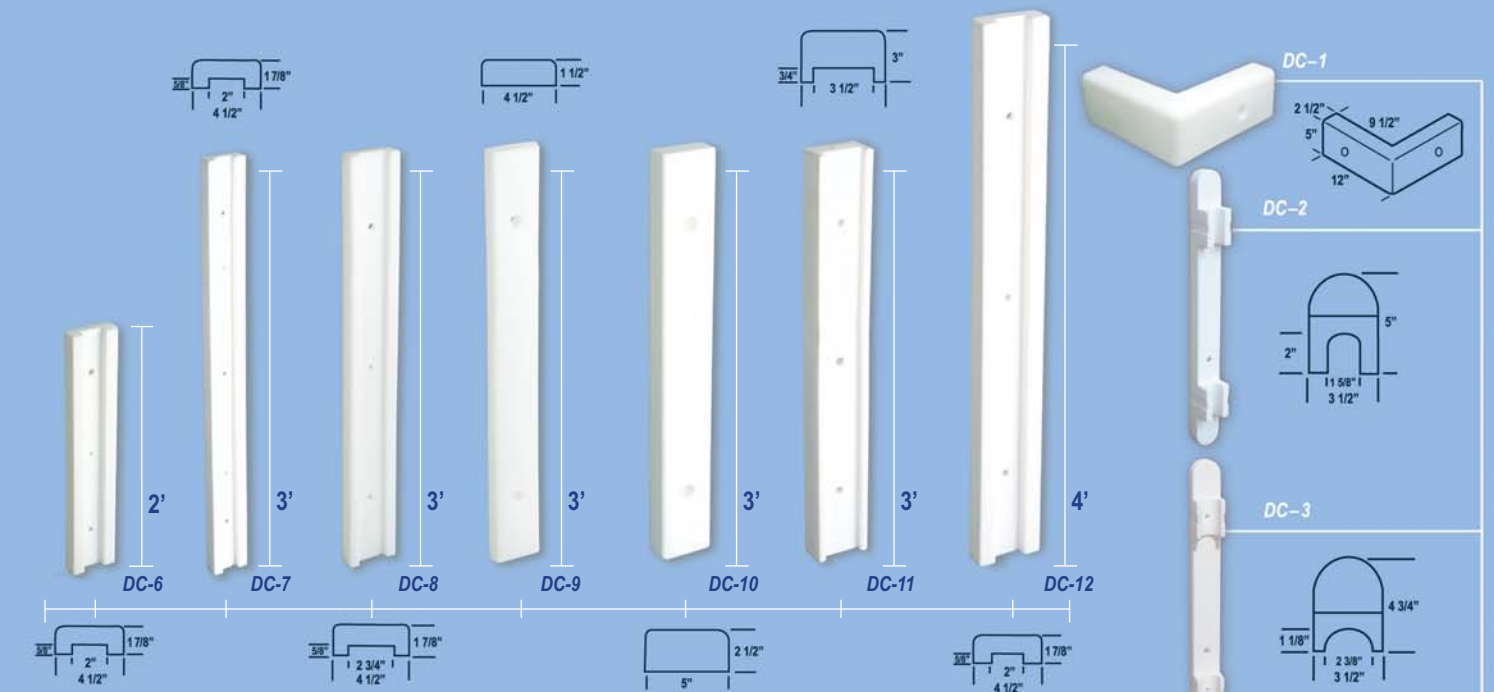


Back	Flat	2-inch	2.5-inch	3.5-inch	"L-Shape"
2' Length	DCBM2 - FLAT	DCBM2 - 2.00	DCBM2 - 2.50	DCBM2 - 3.50	
3' Length	DCBM3 - FLAT	DCBM3 - 2.00	DCBM3 - 2.50	DCBM3 - 3.50	DCBM3L
4' Length	DCBM4 - FLAT	DCBM4 - 2.00	DCBM4 - 2.50	DCBM4 - 3.50	

* Available in black (BK) and white (WE) as shown.



ROTO-MOLD DOCK CUSHIONS



Protect your boat and dock with Ace Dock Accessories. Environmentally safe, Ace Dock products will provide years of use in both fresh and salt water. Our dock cushions are made of tough, durable polyethylene with UV inhibitors. Ace dock cushions are easy to mount, won't scratch or mar boats, and provide high visibility day or night.

Two styles offer customers the choice of **FIRM** and **FLEX** to meet your installation needs.

Consult factory regarding additional colors available.

FIRM	FLEX
DC-1STF	DC-1SOF
DC-2ST	DC-2SO
DC-3ST	DC-3SO
DC-4ST	DC-4SO
DC-6ST	DC-6SO
DC-7ST	DC-7SO
DC-8ST	DC-8SO
DC-9ST	DC-9SO
DC-10ST	DC-10SO
DC-11ST	DC-11SO
DC-12ST	DC-12SO

Our durable "**FIRM**" cushions are designed to protect your boat by deflecting it away from your dock. Ace's **FIRM** poly cushion has set the standard from the beginning.

"**FLEX**" cushions have the feel of vinyl with the added benefit of being more resilient. This material will not pinch or twist and offers the same protection to your valuable investment as the **FIRM** model.

DOCK HARBOR CUSHIONS

Ace Dock Harbor cushions will provide excellent protection for your larger boat. They are designed with the same durable polyethylene as our other lines of cushions and are environmentally safe and easy to mount. All three sizes are available in **FIRM** and **FLEX** varieties.



RESIDENTIAL AIR FILLED FLOATS

Made with the same attention to detail as our heavy-duty Ace Roto-Mold commercial float drums, Ace Residential Float Drums are air-filled, making them lighter and easier to assemble.

The floats are environmentally friendly and made of tough virgin polyethylene with UV inhibitors to prevent sun damage.

- Rotationally-molded shell
- Seamless, watertight construction
- Easy-to-assemble to any dock frame

FLOATS

ARFT2436-12	24 X 36 X 12
ARFT2436-16	24 X 36 X 16
ARFT2448-12	24 X 48 X 12
ARFT2448-16	24 X 48 X 16



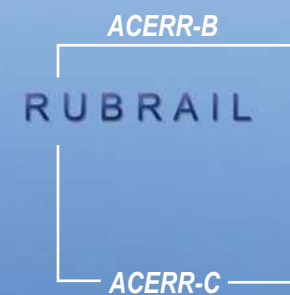
OTHER ACCESSORIES



SAFETY CAPS

SAFETY CAPS

SC-1.00 RD-1	Fits 1-5/16" round pipe
SC-1.25 RD-2	Fits 1-11/16" round pipe
SC-1.50 RD-3	Fits 1-7/8" round pipe
SC-2.00 RD-4	Fits 2-3/8" round pipe
SC-2.00 SQ-5	Fits 2" square tubing
SC-2.50 SQ-6	Fits 2-1/2" square tubing
SC-3.00 SQ-7	Fits 3" square tubing
SC-4.00 SQ-9	Fits 4" square tubing
SC-1.25 x 1.875 RT-8	Fits 1-1/4" x 1-7/8" square tubing



RUBRAIL



DOCK CLEATS

FOLD & GO PORTABLE DOCK CUSHIONS



The unique design of the Fold & Go not only protects your boat from scratching and scraping against rough posts, it folds up to allow you to take it with you.

The Fold & Go has a super-sized, cushioned surface that provides maximum protection at the dock or marina.

The Fold & Go stores easily on every boat. The fold-out handle fits over round or square dock posts that are 4" or smaller.

Portable and practical, Ace's Fold & Go is made of durable polyethylene with maximum UV inhibitors to prevent damage and yellowing from sunlight.

FOLD & GO	
41" LONG X 7" WIDE X 4" DEEP	
FG742-01	1-piece carton
FG742-06	6-piece carton
FG742-60	60-piece pallet



- Durable shipping box converts into attractive point-of-sale floor display
- Individual four-color display sleeve with UPC bar code label



Den Hartog
INDUSTRIES, INC.

Ace Dock Accessories • A division of Den Hartog Industries, Inc. • 4010 Hospers Drive South • P. O. Box 425 • Hospers, IA 51238-0425
1.877.223.6260 • 1.712.752.8432 • FAX 1.712.752.8222 • www.acedockaccessories.com • sales@denhartogindustries.com

(Catalog Code: 08/11)




Ace Dock Accessories
A DIVISION OF DEN HARTOG INDUSTRIES, INC.

