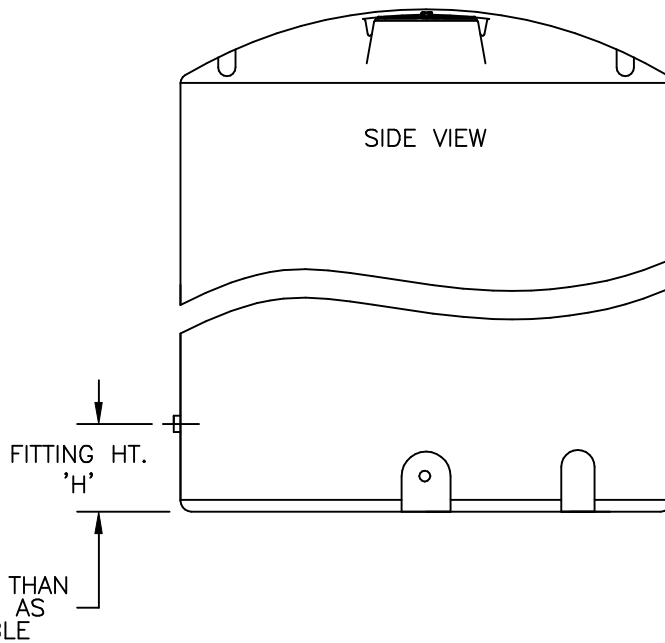
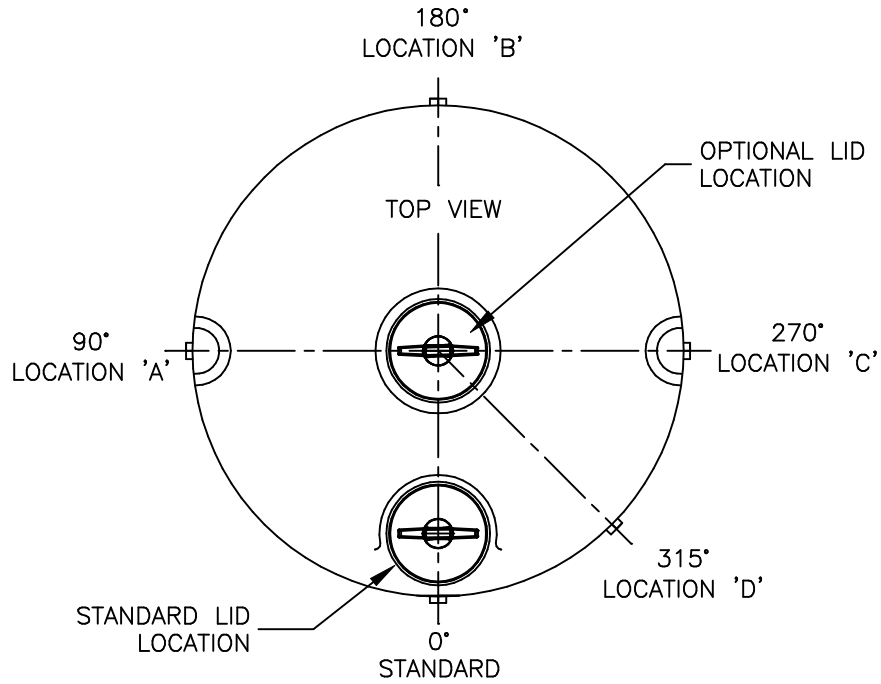




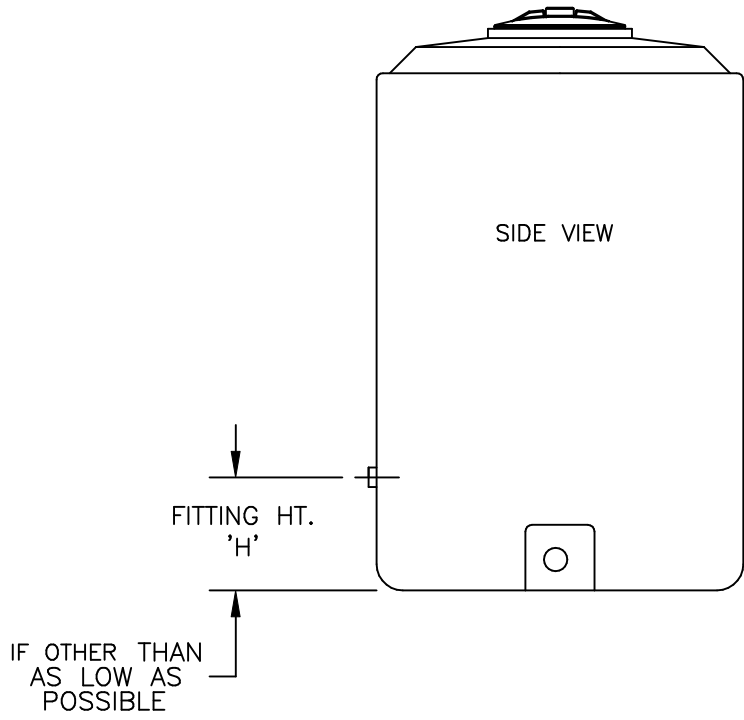
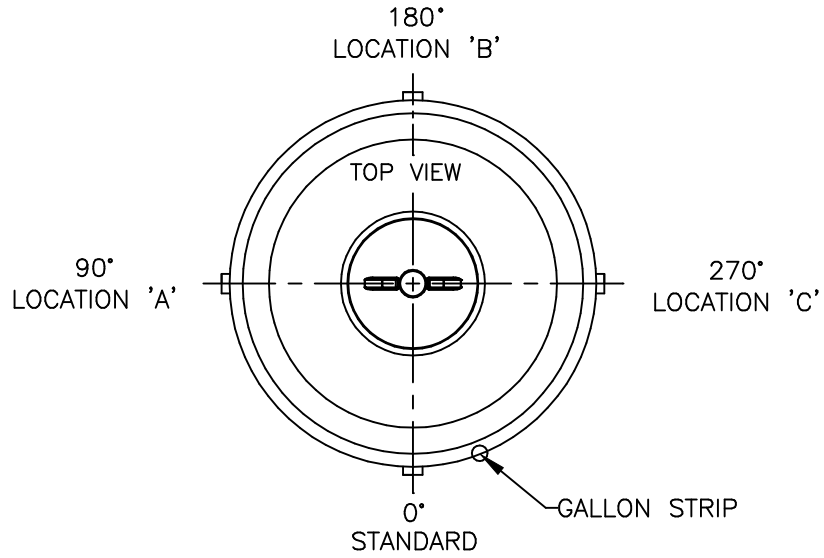
# Accessories Placement Diagram Large Vertical Style Tanks



Fitting Size	Fitting P.N.	Lid Size (If Optional)	Lid P.N. (If Optional)	Fitting Location – Top View					Side View
				STD.	'A'	'B'	'C'	'D'	'H'



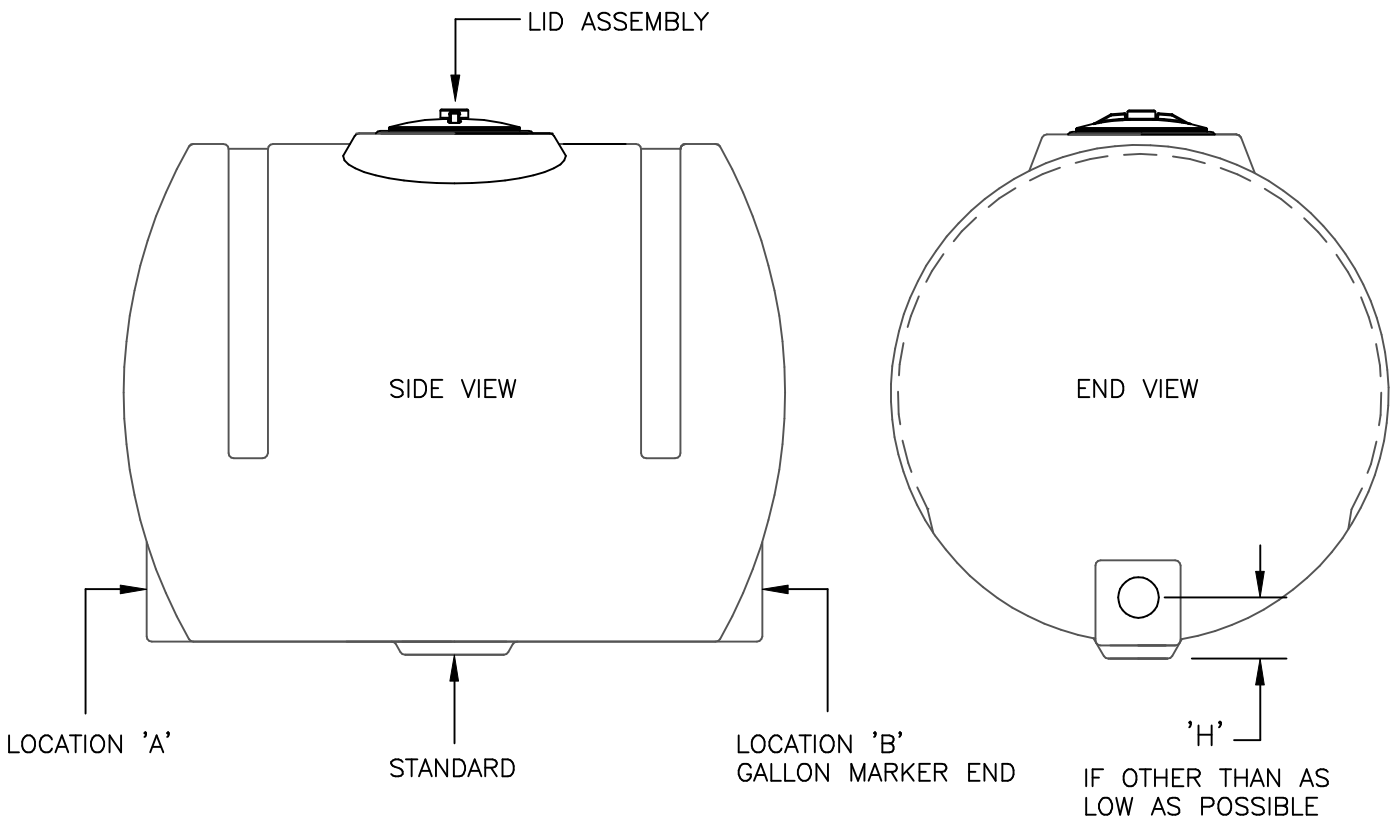
# Accessories Placement Diagram Small Vertical Style Tanks



Fitting Size	Fitting P.N.	Lid Size (If Optional)	Lid P.N. (If Optional)	Fitting Location – Top View				Side View
				STD.	'A'	'B'	'C'	'H'



# Accessories Placement Diagram Horizontal Style Tanks



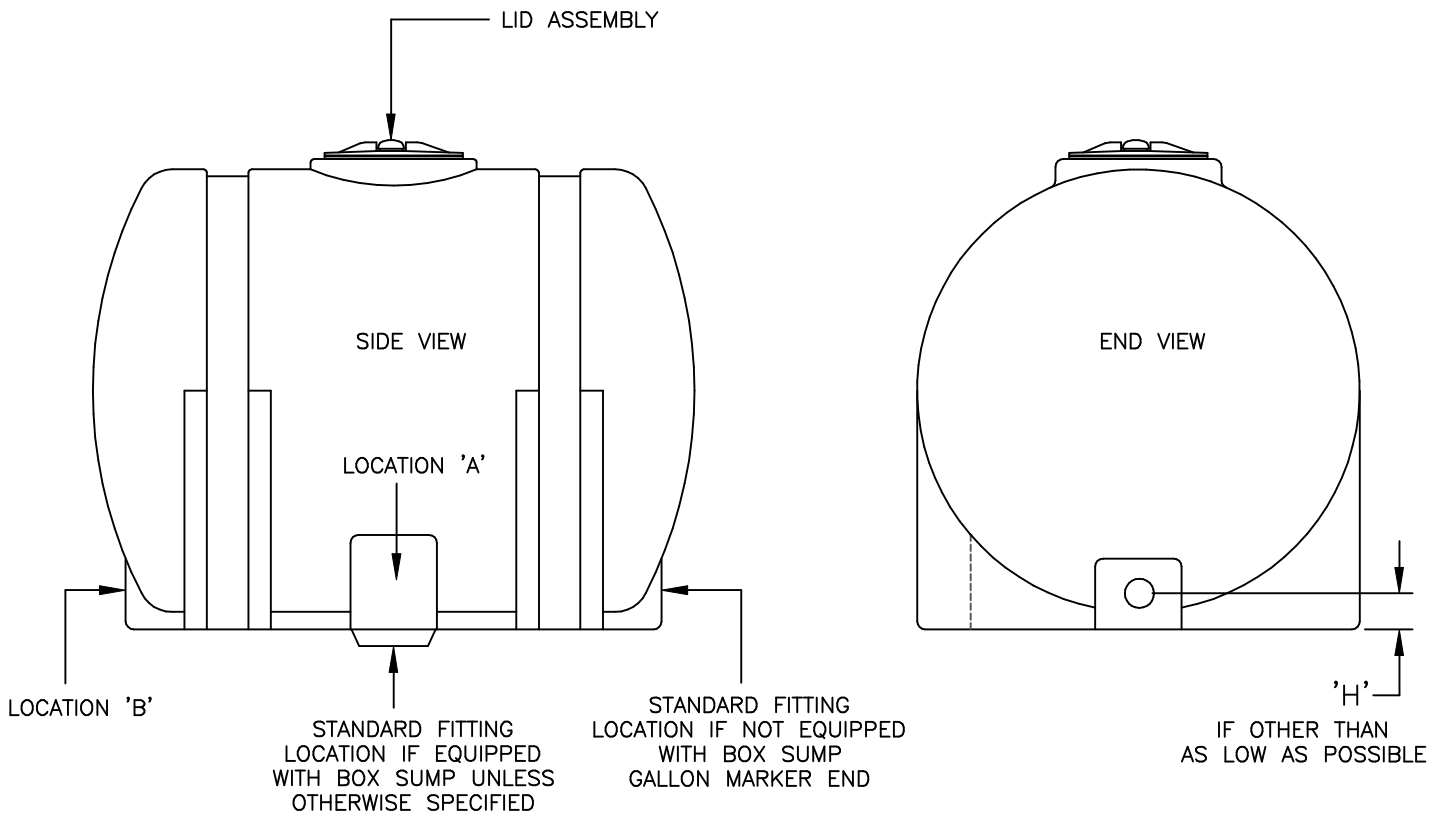
USE GALLON MARKERS AS REFERENCE TO LOCATE FITTING

Fitting Size	Fitting P.N.	Lid Size (If Optional)	Lid P.N. (If Optional)	Fitting Location – Side View				End View
				STD.	'A'	'B'	Other Specify	'H'



# Accessories Placement Diagram

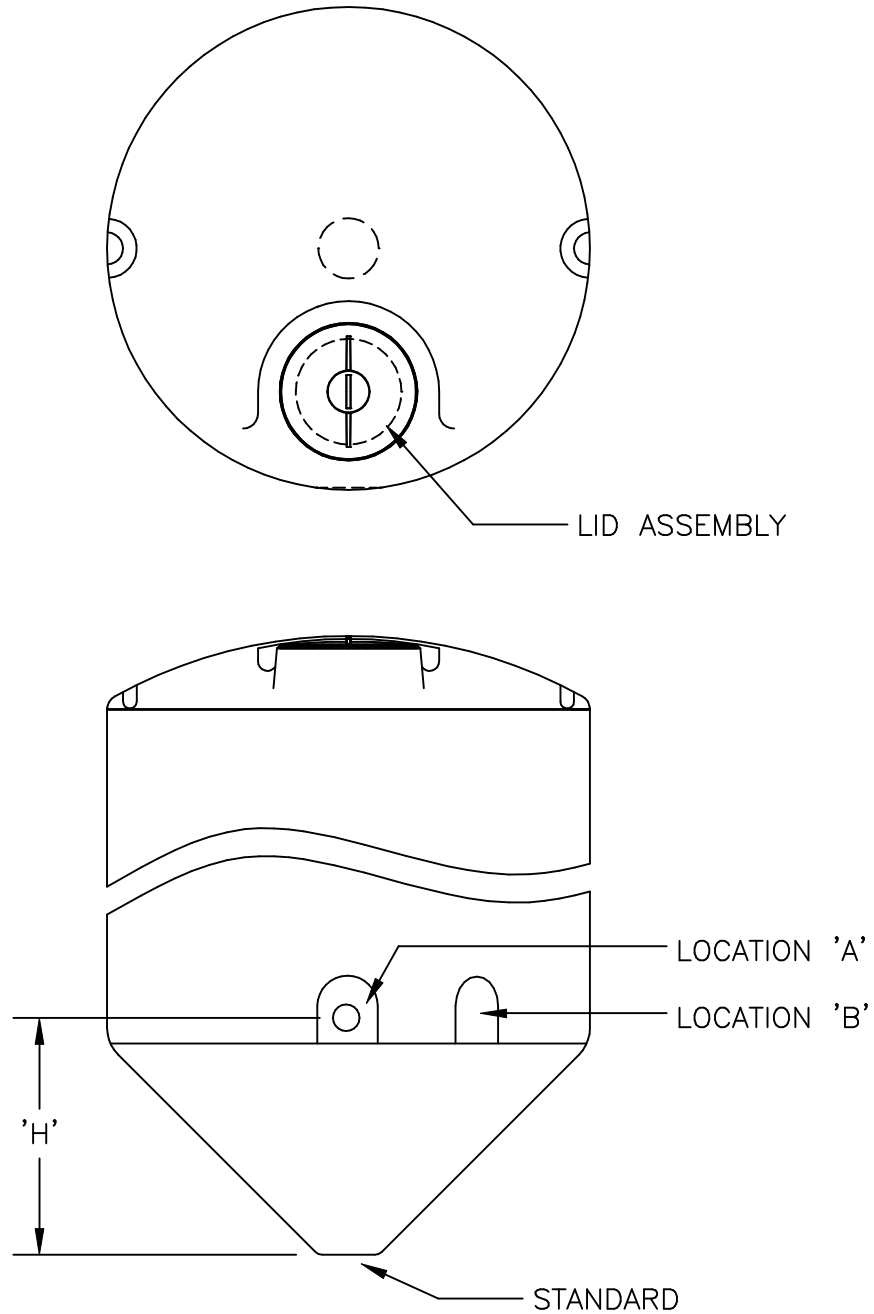
## Leg Style Tanks



Fitting Size	Fitting P.N.	Lid Size (If Optional)	Lid P.N. (If Optional)	Fitting Location – Side View				End View
				STD.	'A'	'B'	Other Specify	'H'
								12



# Accessories Placement Diagram Cone Bottom Style Tanks



Fitting Size	Fitting P.N.	Lid Size (If Optional)	Lid P.N. (If Optional)	Fitting Location – Side View				End View
				STD.	'A'	'B'	Other Specify	'H'