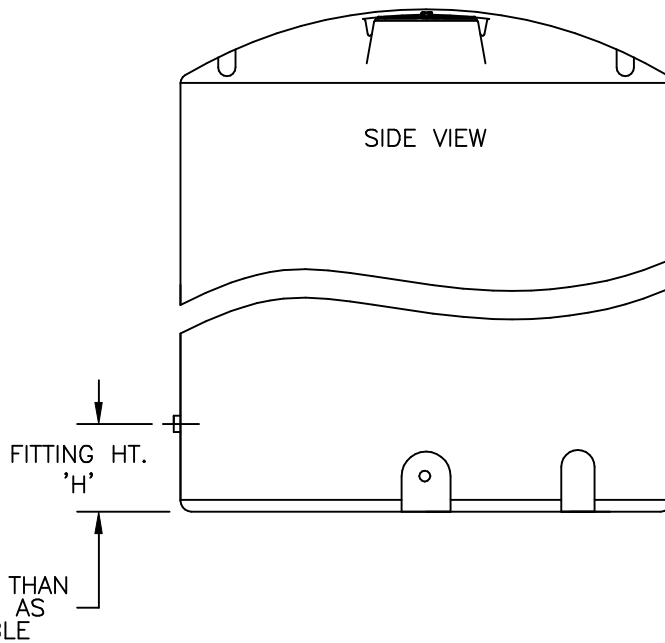
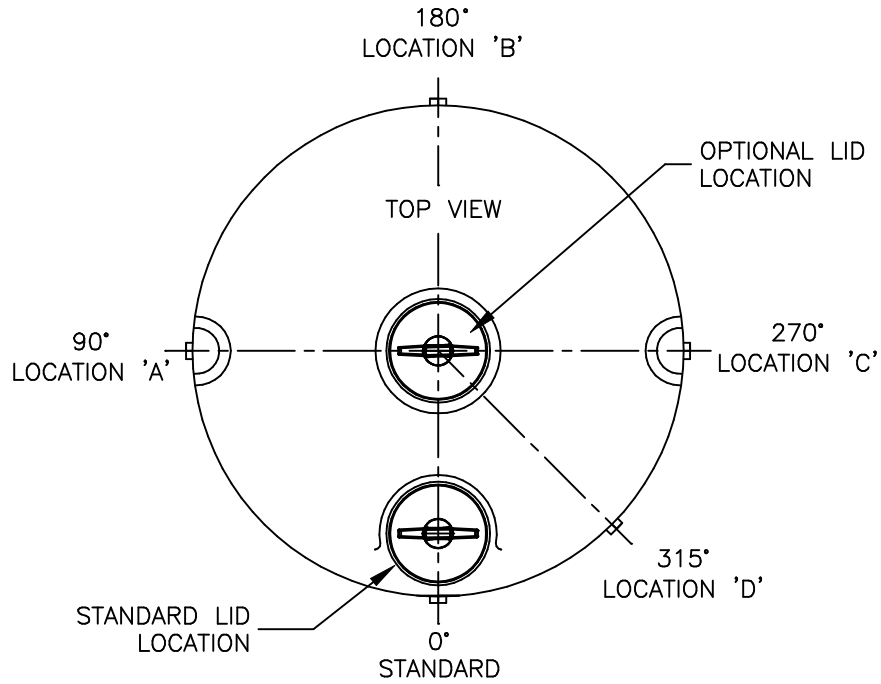




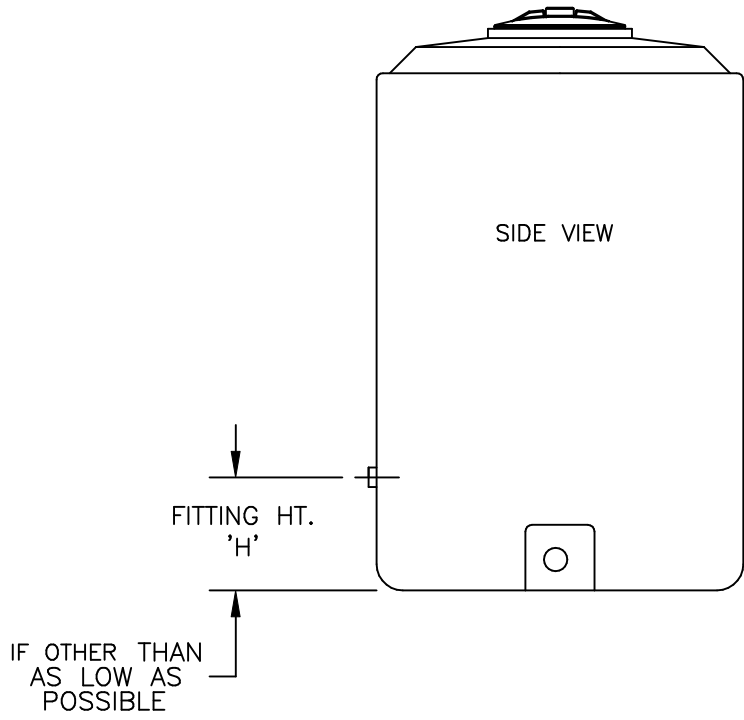
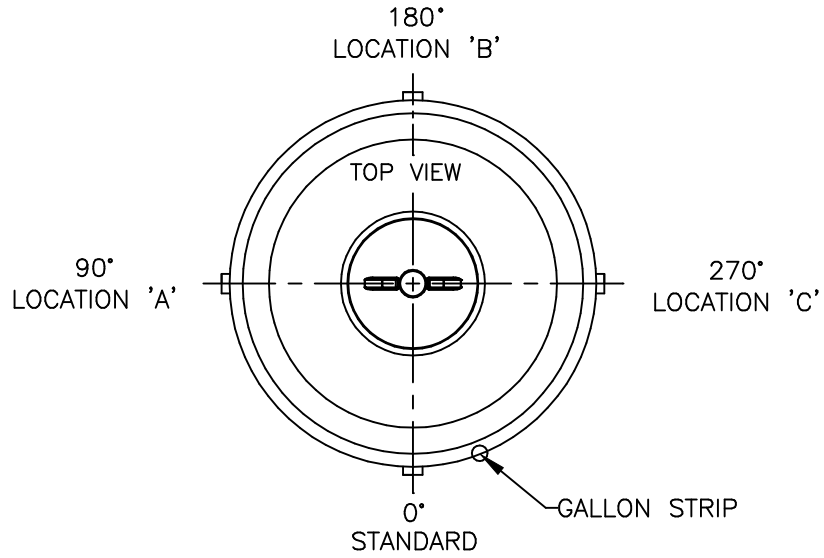
Accessories Placement Diagram Large Vertical Style Tanks



Fitting Size	Fitting P.N.	Lid Size (If Optional)	Lid P.N. (If Optional)	Fitting Location – Top View					Side View
				STD.	'A'	'B'	'C'	'D'	'H'



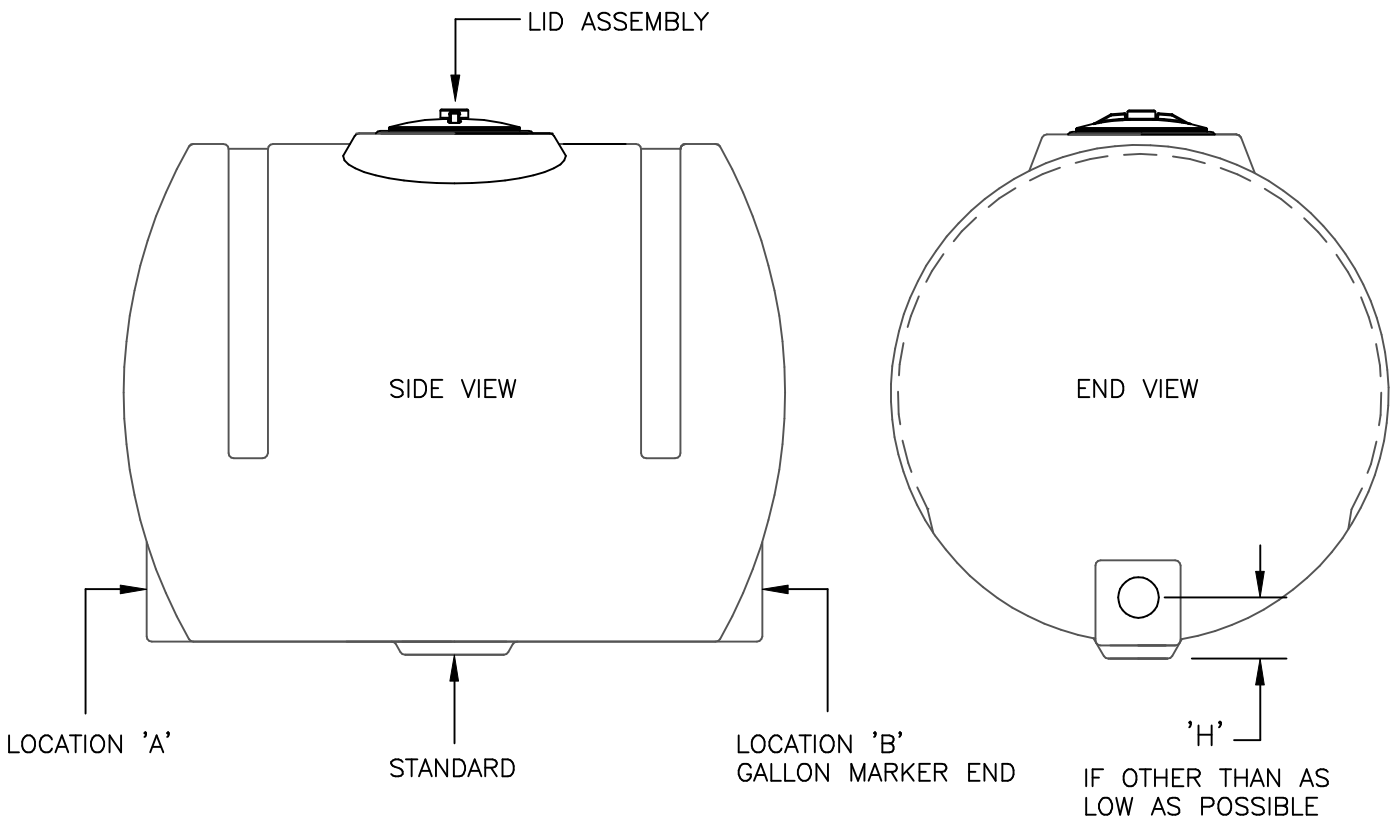
Accessories Placement Diagram Small Vertical Style Tanks



Fitting Size	Fitting P.N.	Lid Size (If Optional)	Lid P.N. (If Optional)	Fitting Location – Top View				Side View
				STD.	'A'	'B'	'C'	'H'



Accessories Placement Diagram Horizontal Style Tanks

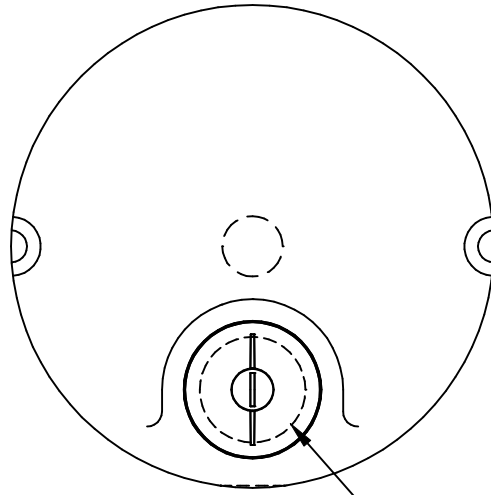


USE GALLON MARKERS AS REFERENCE TO LOCATE FITTING

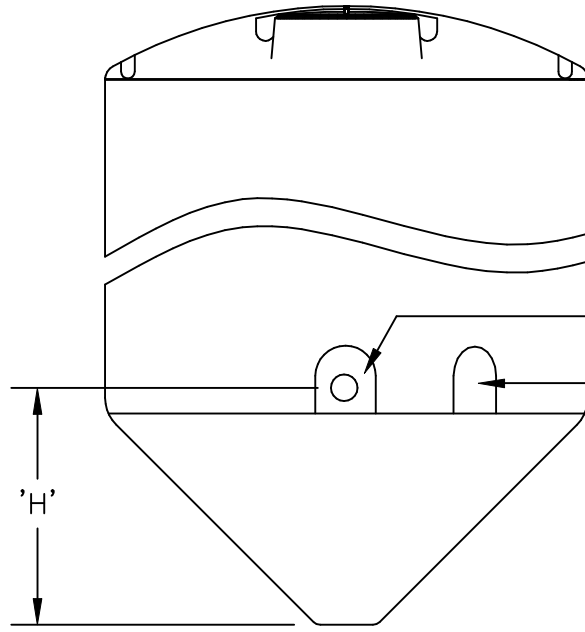
Fitting Size	Fitting P.N.	Lid Size (If Optional)	Lid P.N. (If Optional)	Fitting Location – Side View				End View
				STD.	'A'	'B'	Other Specify	'H'



Accessories Placement Diagram Cone Bottom Style Tanks



LID ASSEMBLY



LOCATION 'A'

LOCATION 'B'

STANDARD

Fitting Size	Fitting P.N.	Lid Size (If Optional)	Lid P.N. (If Optional)	Fitting Location – Side View				End View
				STD.	'A'	'B'	Other Specify	'H'