

# Ace Roto-Mold

## NEW PRODUCT RELEASE

### CB0295-52 Cone Bottom Tank

**Product is a 295 Gallon tank—52” Diameter x 45-degree Cone Bottom Tank. This tank is designed for indoor or outdoor, stationary applications. Tank requires use of stand for support.**

#### FEATURES:

- Tank features a bottom sump for fitting installation.
- Tank requires use of stand for support.
- Tank is manufactured from medium density polyethylene with U.V. stabilizers.
- Furnished with a 12” Vented Lid Assembly as standard.
- Tank is furnished with a 2” FPT polypropylene fitting with Santoprene gasket as standard.
- Designed for the containment of all chemicals rated for contact with polyethylene. Standard weight tank is designed for chemicals with a specific gravity of 1.7. Consult the Application Guideline Manual for known compatible chemicals and service temperatures. FDA compliant materials are available
- Standard tank color is white.
- Tank stand features welded steel construction with a black powder coated finish.



#### SPECIFICATIONS:

Part Number for tank: CB0295-52      Part number of stand: CB052-45ST  
Overall Dimensions: 52” Diameter x 64” Tall when installed in the stand.  
Shipping Weight of tank : 97 lbs.      Shipping weight of stand: 174 lbs.

September 29, 2020

 **Den Hartog**  
INDUSTRIES, INC.  
“Always at Your Service”



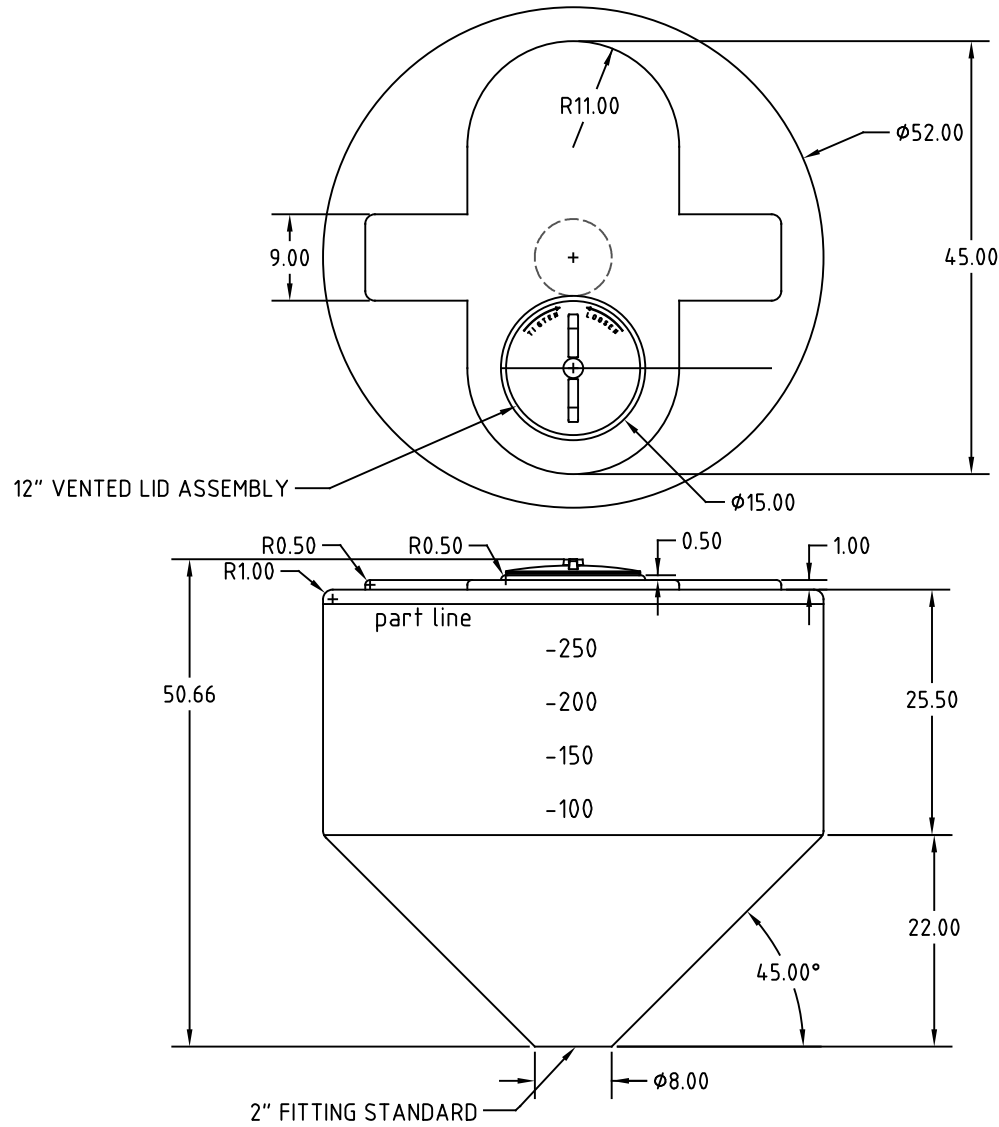
**Warning:** Cancer and Reproductive Harm.  
[www.p65Warnings.ca.gov](http://www.p65Warnings.ca.gov)

Ph: 800-342-3408  
Fax: 712-752-8222

[www.denhartogindustries.com](http://www.denhartogindustries.com)  
[sales@denhartogindustries.com](mailto:sales@denhartogindustries.com)

4010 Hospers Dr. South  
Hospers, IA 51238

Copyright. All information furnished within this document, electronic file or design correspondence is the property of Den Hartog industries, Inc. and shall not be used, disclosed to others or copied without the expressed written consent of Den Hartog Industries, Inc.



				DRAWN / DATE DHJ / 5/27/20	MATERIAL PE REFERENCE MATERIAL DATA SHEET FOR SPECIFIC PROPERTIES.
				APPRD. / DATE REH 6/5/20	
REV	DESCRIPTION	BY / DATE	CCN		
ALL DIMENSIONS ARE IN DECIMAL INCHES TOLERANCES UNLESS OTHERWISE SPECIFIED		THIRD ANGLE PROJECTION ANSI 14.5M		SHOT WEIGHT: 95 LBS.	NOTES: 1. NOM. WALL @ .250
POLYETHYLENE ±1% @ 68° F		METAL DECIMAL ± .125" FRACTION ± 1/4" ANGLE ± 1°		SHIPPING WEIGHT: 97 LBS.	
				FINISH:	



**Den Hartog**  
INDUSTRIES, INC.

Ace Rotomold Injection Molding Blow Molding Sawing

4010 HOSPERS DRIVE S. BOX 425, HOSPERS, IOWA 51238-0425

DESCRIPTION 295 GALLON CONE BOTTOM TANK	
SCALE N.S.	PART NO. CB0295-52