

Ace Roto-Mold

New Product Notification

10,500 & 12,500 Gallon Cone Bottom Tanks

Den Hartog Industries is pleased to announce the addition of two new Cone Bottom tanks to our portfolio of products. Cone Bottom Tanks are designed for the containment of all chemicals rated for contact with polyethylene in indoor or outdoor installations. Tank does require use of CB142-45ST stand for support.

Part No.	Capacity	Description	Weight	Tank Dimensions
CB10500-142	10,500 Gallons	Cone Bottom Tank	2502	142" x 209"
CB12500-142	12,500 Gallons	Cone Bottom Tank	3402	142" x 239"

FEATURES:

- Tank features a bottom sump for fitting installation.
- Tank is furnished with a 16" Vented Lid Assembly and 3" FPT polypropylene fitting with Santoprene Gasket standard.
- Standard weight tank is designed for chemicals with specific gravity of 1.7 or lower.
- Tanks are manufactured from high density polyethylene with UV stabilizers.
- Tank walls are translucent for level view and equipped with gallon indicators.



CB10500-142 shown with CB142-45ST

DETAILED PRODUCT SPECIFICATIONS CAN BE FOUND
ONLINE AT WWW.DENHARTOGINDUSTRIES.COM.

June 2021



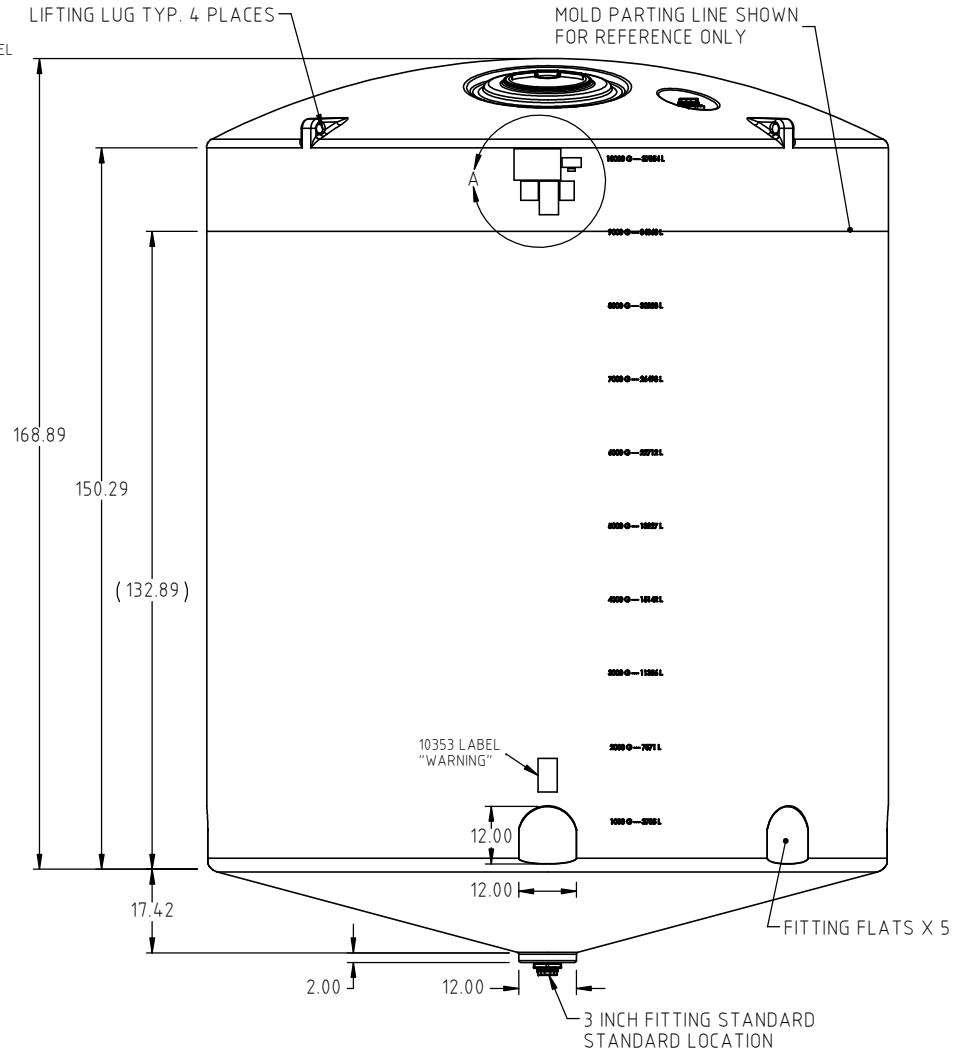
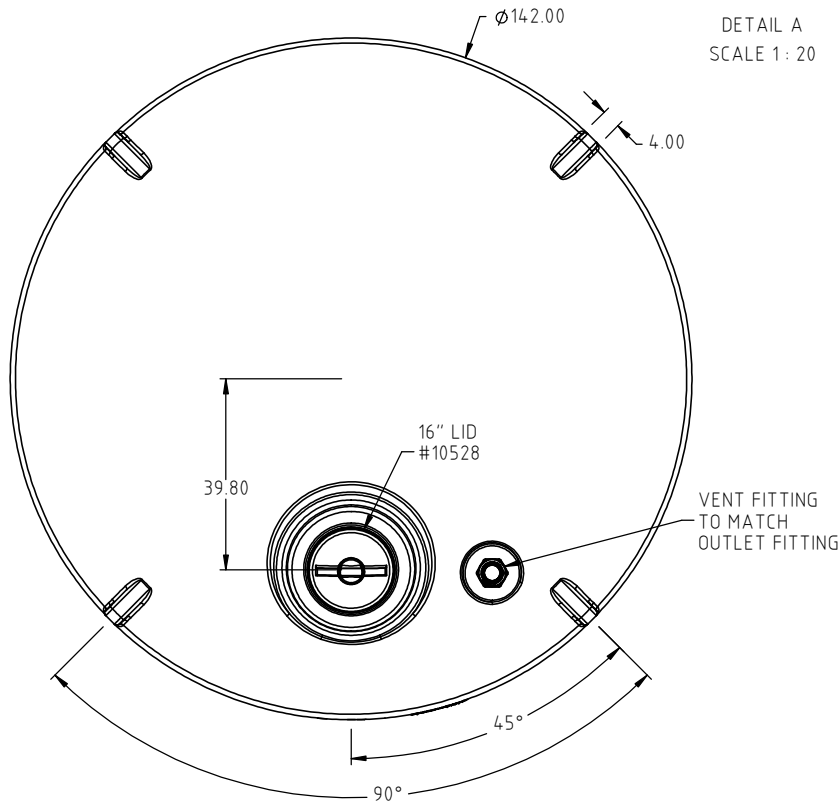
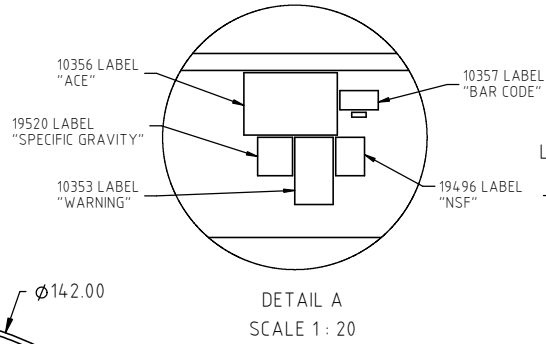
Warning: Cancer and Reproductive Harm.
www.p65Warnings.ca.gov

Ph: 800-342-3408
Fax: 712-752-8222

www.denhartogindustries.com
sales@denhartogindustries.com

4010 Hospers Dr. South
Hospers, IA 51238

Copyright. All information furnished within this document, electronic file or design correspondence is the property of Den Hartog Industries, Inc. and shall not be used, disclosed to others or copied without the expressed written consent of Den Hartog Industries, Inc.



REV.	DESCRIPTION	BY	DATE	CCN	DRAWN / DATE	MATERIAL :
					DHJ 5/20/2015	
					APPROD. / DATE	NOTES:
					BPL 6/9/2021	
ALL DIMENSIONS ARE IN DECIMAL INCHES TOLERANCES UNLESS OTHERWISE SPECIFIED					SHOT WEIGHT: 2500.00 LBS	THIRD ANGLE PROJECTION ANSI 14.5M
POLYETHYLENE					SHIPPING WEIGHT: 2502.00 LBS	
±1% @ 68°F					FINISH:	
METAL DECIMAL ± .125" FRACTION ± 1/4" ANGLE ± 1°						

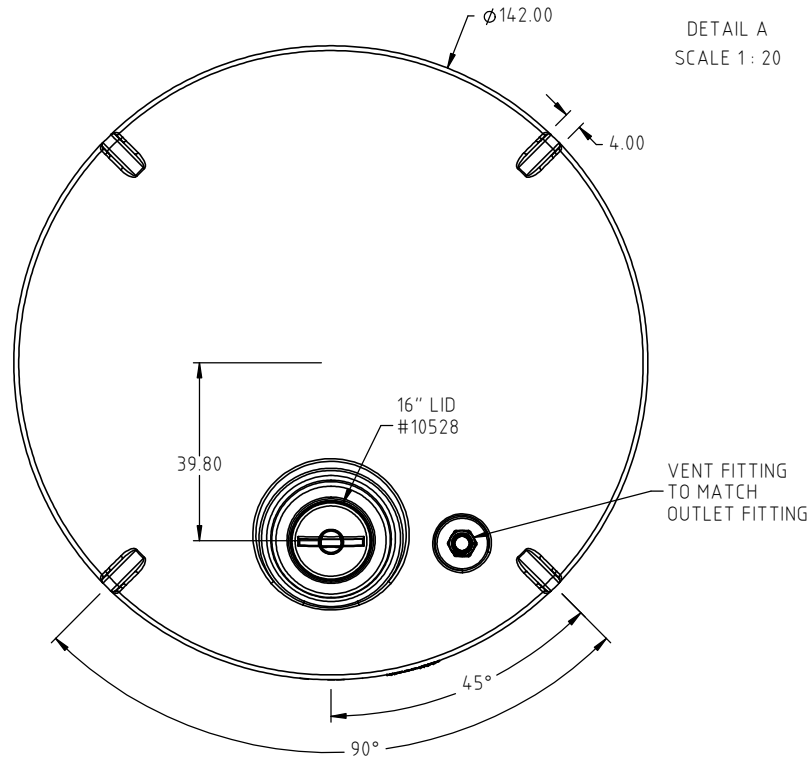
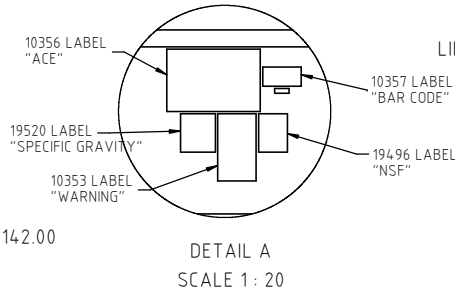


Den Hartog INDUSTRIES, INC.

Ace Roto-Mold • Injection Molding • Blow Molding • Sowjoy
4010 HOSPERS DRIVE S. BOX 425, HOSPERS, IOWA 51238-0425

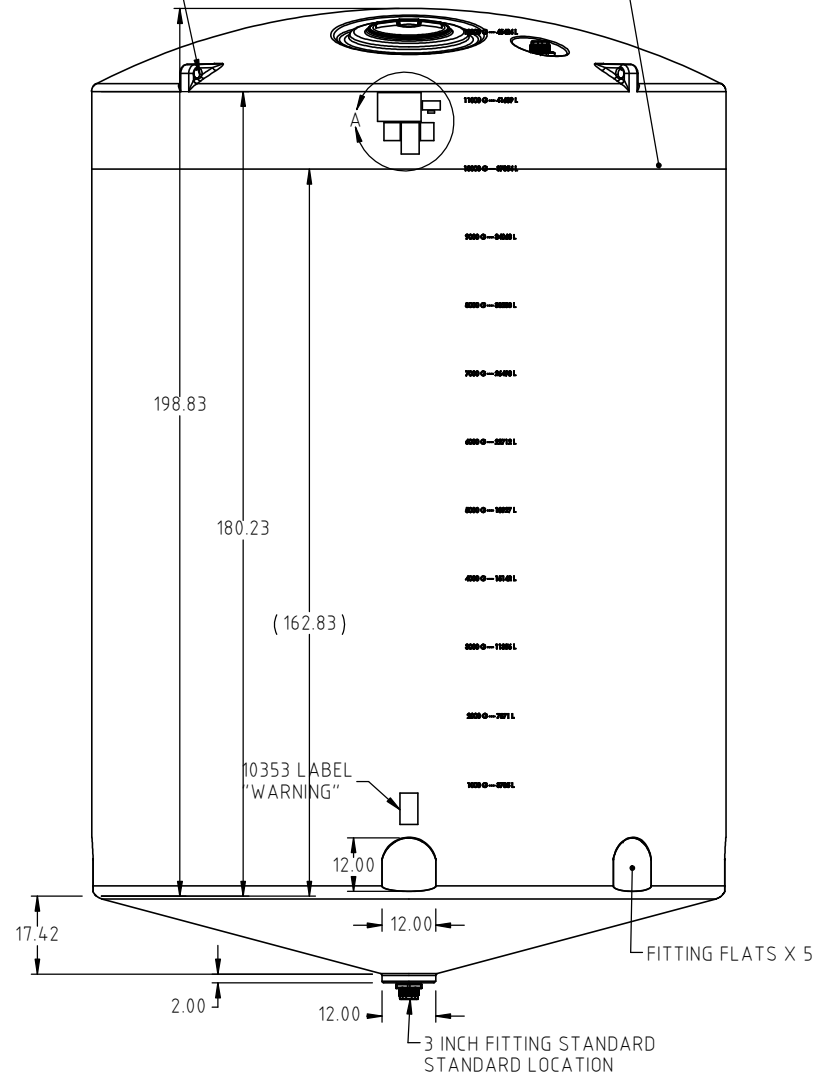
DESCRIPTION 10500 GALLON 15 DEGREE CONE BOTTOM TANK		
SCALE N.S.	PART NO. CB10500-142	SHEET 1 OF 1

Copyright. All information furnished within this document, electronic file or design correspondence is the property of Den Hartog industries, Inc. and shall not be used, disclosed to others or copied without the expressed written consent of Den Hartog Industries, Inc.

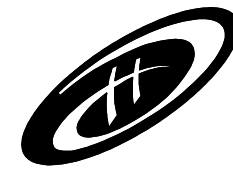


LIFTING LUG TYP. 4 PLACES

MOLD PARTING LINE SHOWN FOR REFERENCE ONLY



DRAWN / DATE ADH 2/28/2018	MATERIAL : 10538 2 MELT NATURAL RESIN
APPROD. / DATE BPL 6/9/2021	



Den Hartog INDUSTRIES, INC.

Ace Roto-Mold • Injection Molding • Blow Molding • Sowjoy
4010 HOSPERS DRIVE S. BOX 425, HOSPERS, IOWA 51238-0425

REV.	DESCRIPTION	BY	DATE	CCN
ALL DIMENSIONS ARE IN DECIMAL INCHES TOLERANCES UNLESS OTHERWISE SPECIFIED				
POLYETHYLENE ±1% @ 68°F		THIRD ANGLE PROJECTION ANSI 14.5M		
METAL DECIMAL ± .125" FRACTION ± 1/4" ANGLE ± 1°				

SHOT WEIGHT: 3400.00 LBS	NOTES: 1.) WHITE, BLACK, OR YELLOW COLOR WALL THICKNESS AT FITTING: 1.39"
SHIPPING WEIGHT: 3402.00 LBS	
FINISH:	

DESCRIPTION 12500 GALLON 15 DEGREE CONE BOTTOM TANK		SHEET 1 OF 1	
SCALE N.S.	PART NO. CB12500-142		