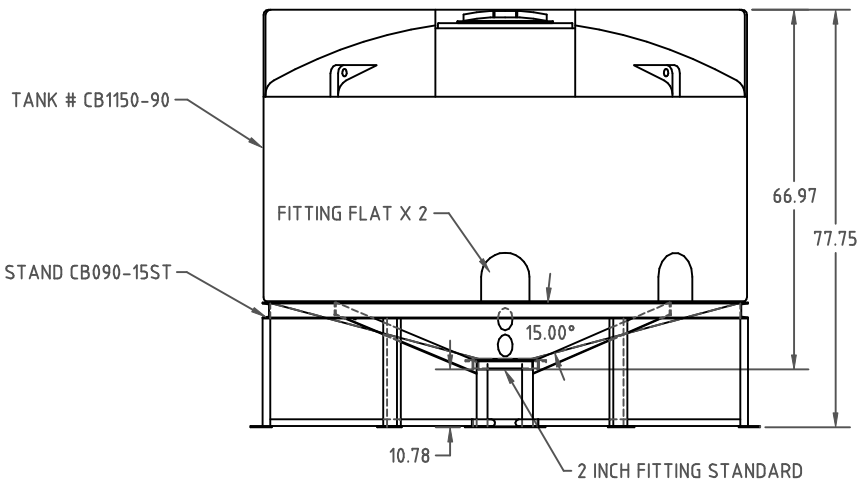
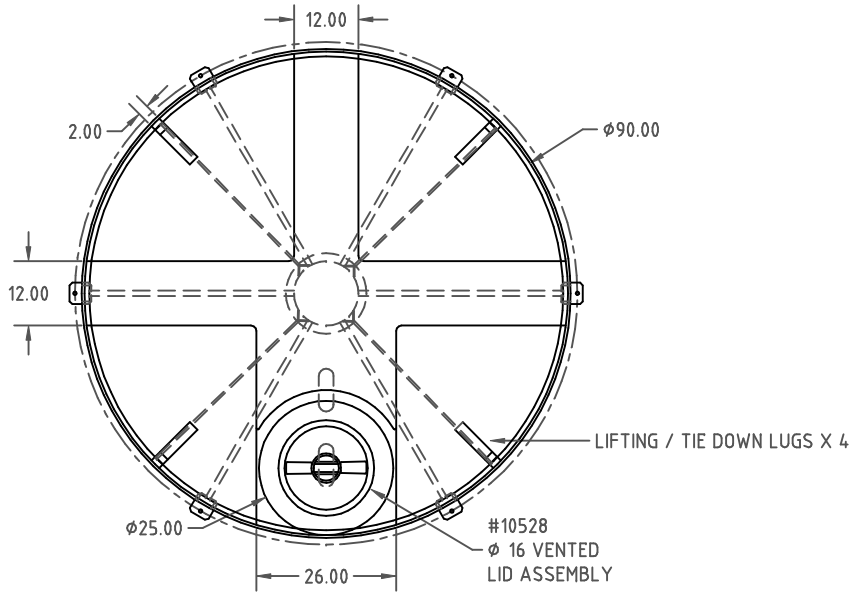


Copyright. All information furnished within this document, electronic file or design correspondence is the property of Den Hartog industries, Inc. and shall not be used, disclosed to others or copied without the expressed written consent of Den Hartog industries, Inc.



DRAWN / DATE DHJ 3/9/11		MATERIAL TANK 10420 POLYETHYLENE STAND MILD STEEL POWDER COAT BLACK	
APPRD. / DATE REH 3/9/11		NOTES: 1. THICKNESS @ BOTTOM SIDE WALL .200	
SHOT WEIGHT: SHIPPING WEIGHT: 622 LBS.		FINISH:	
THIRD ANGLE PROJECTION ANSI 14.5M			
ALL DIMENSIONS ARE IN DECIMAL INCHES TOLERANCES UNLESS OTHERWISE SPECIFIED POLYETHYLENE ±1% @ 68° F		METAL DECIMAL ± .125" FRACTION ± 1/4" ANGLE ± 1°	



Den Hartog
INDUSTRIES, INC.

Ace Roto-Mold Injection Molding Blow Molding Sow Joy
4010 HOSPERS DRIVE S. BOX 425, HOSPERS, IOWA 51238-0425

DESCRIPTION 1150 GALLON 90" DIA. X 15° CONE BOTTOM TANK W/ INDUSTRIAL TOP AND STAND	
SCALE N.S.	PART NO. CB1150-90+90-15ST