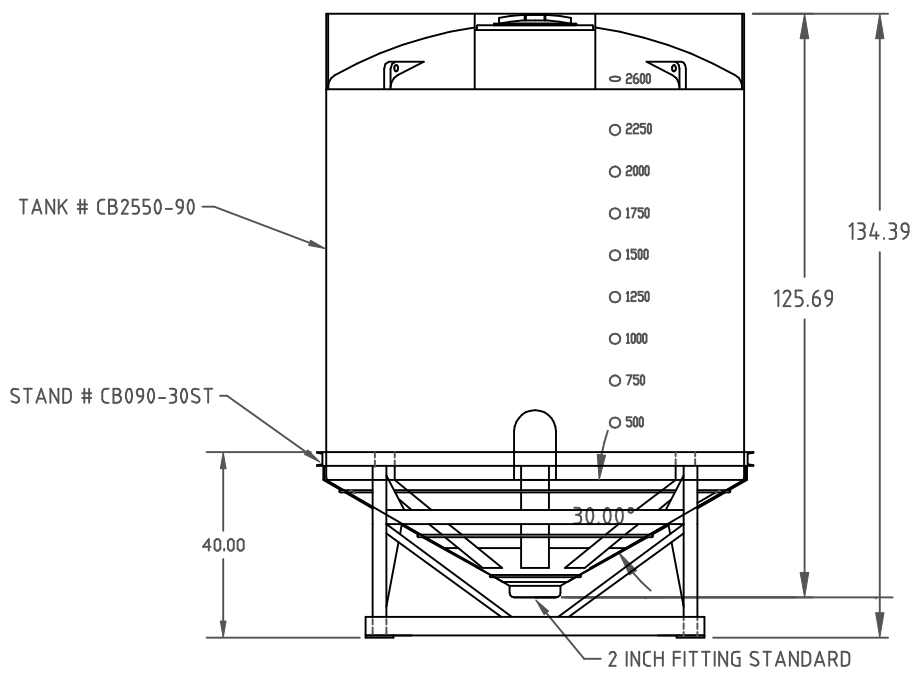
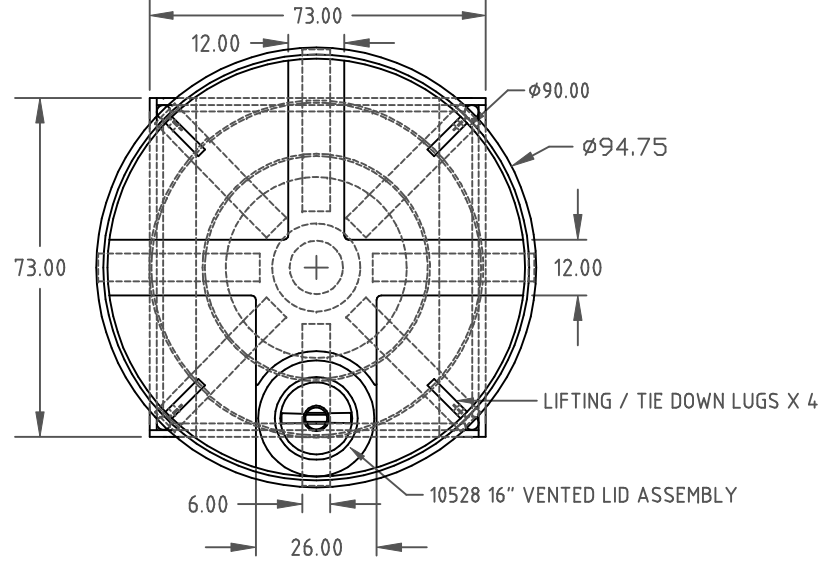


Copyright. All information furnished within this document, electronic file or design correspondence is the property of Den Hartog industries, Inc. and shall not be used, disclosed to others or copied without the expressed written consent of Den Hartog industries, Inc.



DRAWN / DATE DHJ 3/9/11		MATERIAL TANK 10420 POLYETHYLENE	
APPRD. / DATE REH 11/9/11		STAND MILD STEEL BLACK POWDER COAT	
REV	DESCRIPTION	BY / DATE	CCN
ALL DIMENSIONS ARE IN DECIMAL INCHES TOLERANCES UNLESS OTHERWISE SPECIFIED		THIRD ANGLE PROJECTION ANSI 14.5M	
POLYETHYLENE ±1% @ 68° F		METAL DECIMAL ± .125" FRACTION ± 1/4" ANGLE ± 1°	
SHOT WEIGHT: SHIPPING WEIGHT: 1142 LBS. FINISH:		NOTES: 1. THICKNESS @ BOTTOM SIDEWALL .390	



Den Hartog
INDUSTRIES, INC.

Ace Roto-Mold Injection Molding Blow Molding Sow Joy
4010 HOSPERS DRIVE S. BOX 425, HOSPERS, IOWA 51238-0425

DESCRIPTION	2550 GAL. 90" DIA. X φ 30° CONE BOTTOM TANK W/ INDUSTRIAL TOP AND STAND		
SCALE	N.S.	PART NO.	CB2550-90+90-30ST