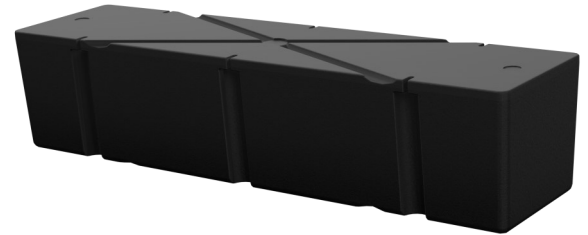


## PRODUCT RELEASE

### NEW FLOAT DRUM

#### Foam-Filled FF1872-16



*Den Hartog Industries is proud to expand its line of float drums. The product is designed as a foam filled dock float. Float top and bottom are ribbed for strength. Sidewalls are ribbed at each connection point for strength. Foam filled products are tested in accordance to industry standards as established by IMANNA Laboratories.*

#### FEATURES:

- Furnished with one 3/8" NPT plug for thermal ventilation when out of water
- 6 mounting slots for attachment
- Foam fill is expanded Polystyrene (EPS) with a density of 1 lb/cubic foot. Polystyrene is CFC free
- Encasement is produced from Linear Low Density Polyethylene
- Standard color is black
- Maximum support buoyancy of foam filled float is 620 lbs.

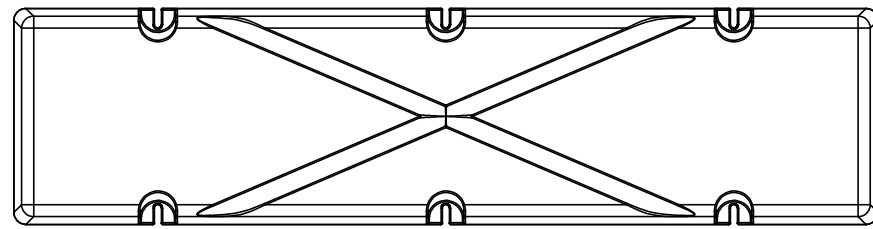
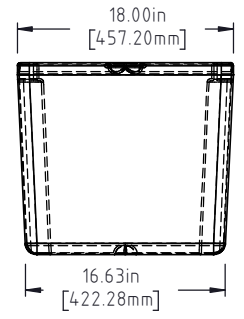
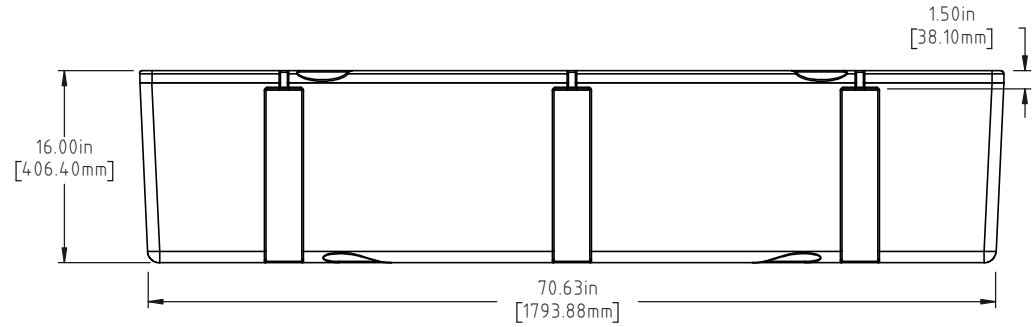
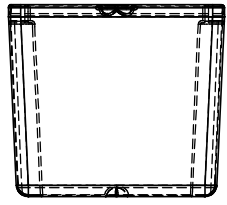
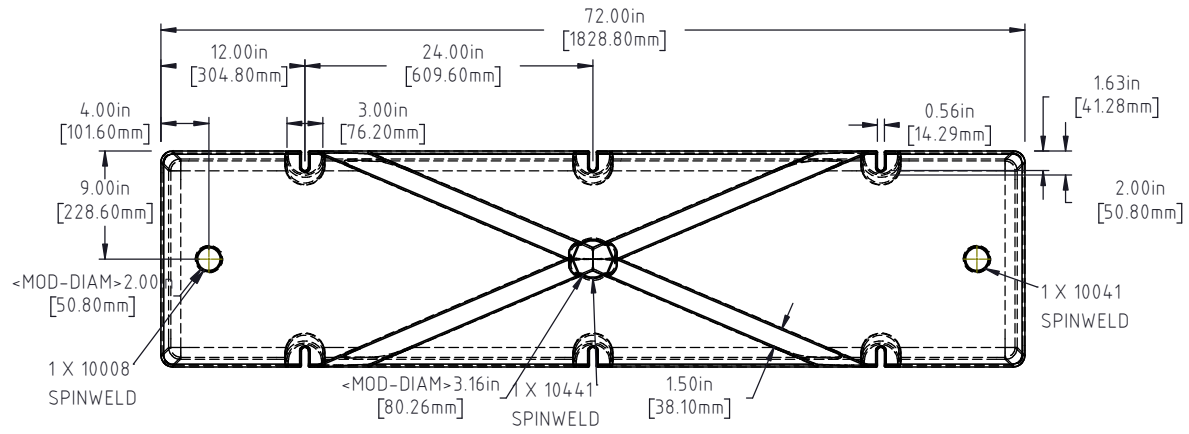
#### SPECIFICATIONS:

Overall Float Dimensions: 18" wide x 72" long x 16" tall  
Shipping Weight: 45lbs.




Warning: Cancer and Reproductive Harm.  
Www.p65Warnings.ca.gov

Copyright. All information furnished within this document, electronic file or design correspondence is the property of Den Hartog Industries, Inc. and shall not be used, disclosed to others or copied without the expressed written consent of Den Hartog Industries, Inc.



NOTE: BUOYANCY 620 LBS.(281.23 KG.)

				DRAWN / DATE ADH 11/20/19		MATERIAL POLYETHYLENE		 <p><b>Den Hartog</b> INDUSTRIES, INC.</p> <p>Ace Roto-Mold Injection Molding Blow Molding Sowjoy</p> <p>4010 HOSPERS DRIVE S. BOX 425, HOSPERS, IOWA 51238-0425</p>	
				APPROD. / DATE REH 4/29/20					
REV	DESCRIPTION	BY / DATE	CCN	SHOT WEIGHT: 34 LBS.(15.42 KG.)		NOTES: 1.) AF 34 LBS.(15.42 KG.) 2.) FF 45 LBS.(20.41 KG.) 3.) 0.150 IN (3.81 mm) NOM. WALL		DESCRIPTION 18 X 72 X 16 FLOAT	
ALL DIMENSIONS ARE IN DECIMAL INCHES TOLERANCES UNLESS OTHERWISE SPECIFIED		THIRD ANGLE PROJECTION ANSI 14.5M		SHIPPING WEIGHT: SEE NOTES		FINISH:		SCALE N.S.	PART NO. 1872-16
POLYETHYLENE 1% @ 68 F		METAL DECIMAL ± .125" FRACTION ± 1/4" ANGLE ± 1°							