

Ace Roto-Mold

New Product Notification

155gal, 205gal, & 245gal Open Top Tanks

Den Hartog Industries is pleased to announce the addition of three new Open Top tanks to our portfolio of products. Open Top Tanks are selected for collection systems, temporary liquid storage, or as secondary containment for vertical tanks in indoor or outdoor installations. Tanks are manufactured from low density polyethylene with UV stabilizers. Tank walls are translucent for level viewing and equipped with gallon indicators.

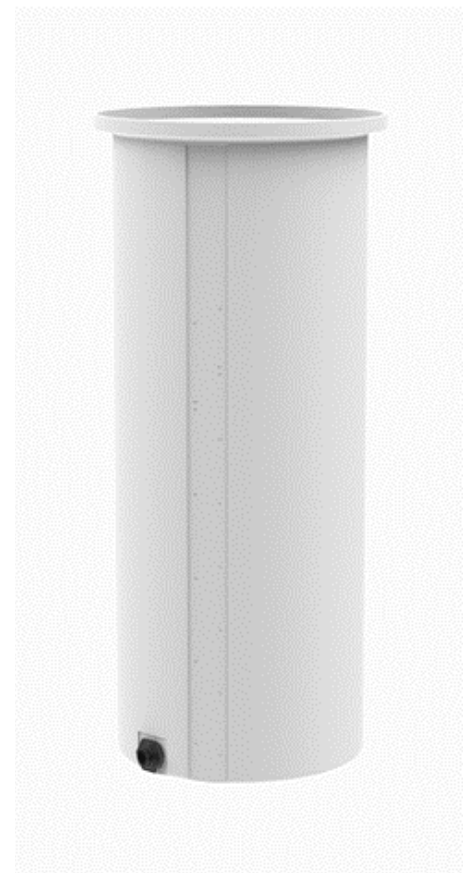
Part No.	Capacity	Description	Weight	Tank Dimensions
OP0155-28	155 Gallons	Open Top	45	28" x 65"
OP0205-31	205 Gallons	Open Top	54	31" x 70"
OP0245-31	245 Gallons	Open Top	61	31" x 80"

FEATURES:

- Tank features one sidewall sump for optional fitting installation.
- Standard weight tank is designed for chemicals with a specific gravity of 1.7 or lower.
- Please note: Diameter of top ring is larger than body diameter.

DETAILED PRODUCT SPECIFICATIONS CAN BE FOUND
ONLINE AT WWW.DENHARTOGINDUSTRIES.COM.

June 2021

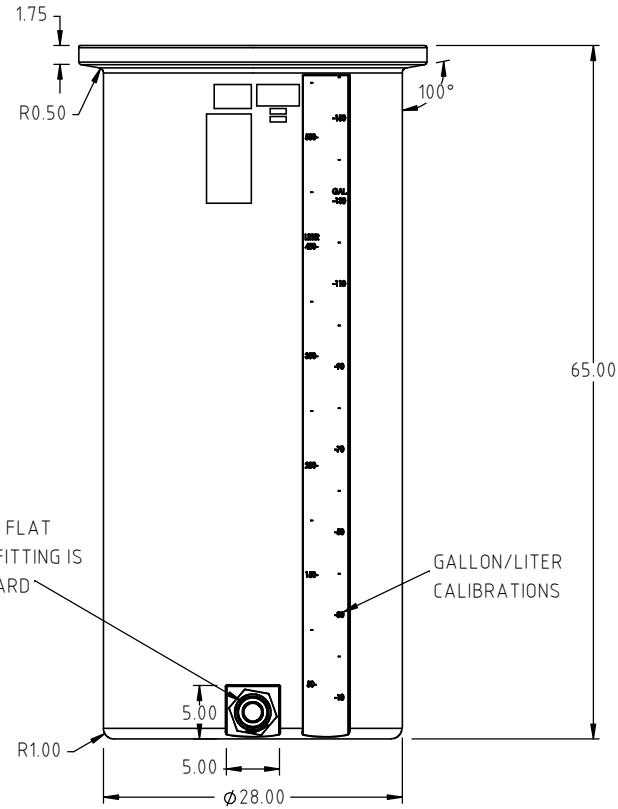
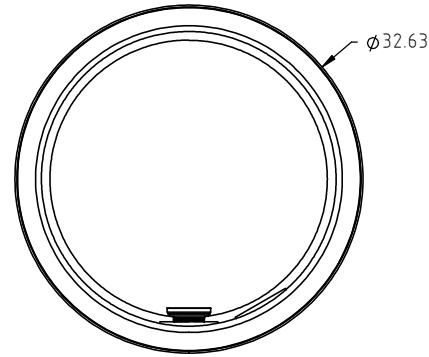


OP0155-28 Shown



Warning: Cancer and Reproductive Harm.
www.p65Warnings.ca.gov

Copyright. All information furnished within this document, electronic file or design correspondence is the property of Den Hartog Industries, Inc. and shall not be used, disclosed to others or copied without the expressed written consent of Den Hartog Industries, Inc.



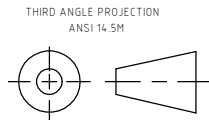
DRAWN / DATE ADH 12/4/2020	MATERIAL : 10420
APPRO. / DATE BPL 4/13/2021	
SHOT WEIGHT: 50.00 LBS.	NOTES: 1.) 0.22 WALL THICKNESS
SHIPPING WEIGHT: 45.00LBS	
FINISH:	



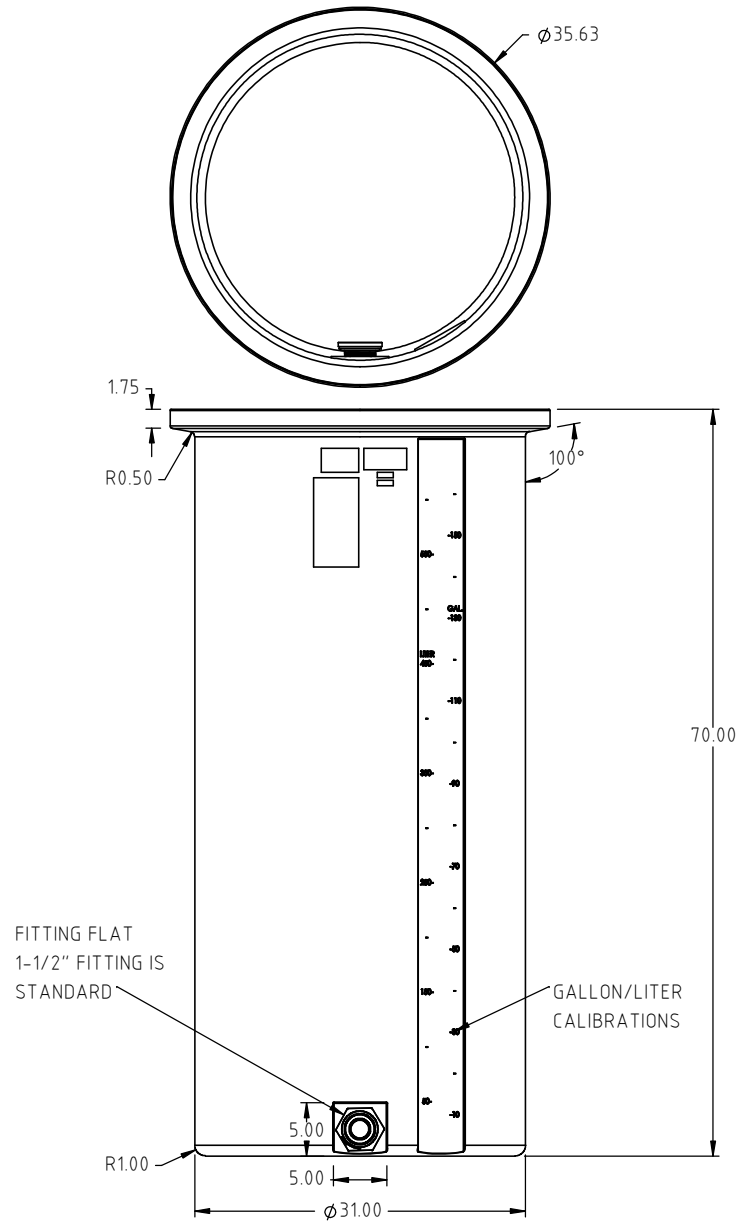
Den Hartog INDUSTRIES, INC.

Ace Roto-Mold • Injection Molding • Blow Molding • Sowjoy
 4010 HOSPERS DRIVE S. BOX 425, HOSPERS, IOWA 51238-0425

REV.	DESCRIPTION	BY	DATE	CCN
	ALL DIMENSIONS ARE IN DECIMAL INCHES TOLERANCES UNLESS OTHERWISE SPECIFIED			
	<u>POLYETHYLENE</u>			
	<u>METAL</u> DECIMAL $\pm .125"$ FRACTION $\pm 1/4"$ ANGLE $\pm 1^\circ$			



DESCRIPTION OPEN TOP 155 GALLON, 28" DIA. BATCH TANK.	
SCALE N.S.	SHEET 1 OF 1
PART NO. OP0155-28	



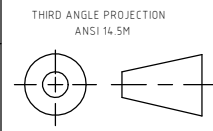
DRAWN / DATE ADH 12/4/2020	MATERIAL : 10420
APPROD. / DATE BPL 4/13/2021	
SHOT WEIGHT: 60.00 LBS.	NOTES: 1.) 0.20 WALL THICKNESS
SHIPPING WEIGHT: 54.00LBS	
FINISH:	



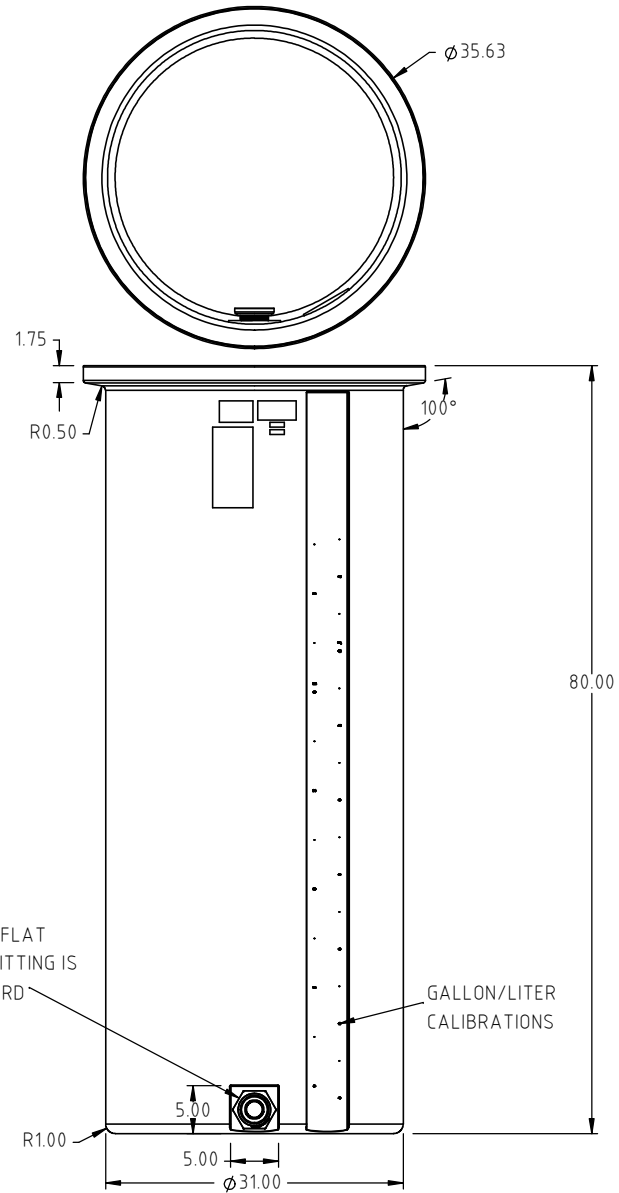
Den Hartog INDUSTRIES, INC.

Ace Roto-Mold • Injection Molding • Blow Molding • Sowjoy
4010 HOSPERS DRIVE S. BOX 425, HOSPERS, IOWA 51238-0425

REV.	DESCRIPTION	BY	DATE	CCN
	ALL DIMENSIONS ARE IN DECIMAL INCHES TOLERANCES UNLESS OTHERWISE SPECIFIED			
	<u>POLYETHYLENE</u>			
	<u>METAL</u> DECIMAL ± .125" FRACTION ± 1/4" ANGLE ± 1°			



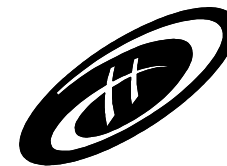
DESCRIPTION OPEN TOP 205 GALLON, 31" DIA. BATCH TANK.	
SCALE N.S.	PART NO. OP0205-31
SHEET 1 OF 1	



FITTING FLAT
1-1/2" FITTING IS
STANDARD

GALLON/LITER
CALIBRATIONS

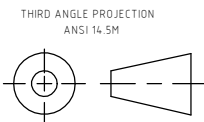
DRAWN / DATE ADH 12/4/2021	MATERIAL : 10420
APPROD. / DATE BPL 4/13/2021	
SHOT WEIGHT: 66.50 LBS.	NOTES: 1.) 0.20 WALL THICKNESS
SHIPPING WEIGHT: 60.50LBS	
FINISH:	



**Den Hartog
INDUSTRIES, INC.**

Ace Roto-Mold • Injection Molding • Blow Molding • Sowjoy
4010 HOSPERS DRIVE S. BOX 425, HOSPERS, IOWA 51238-0425

REV.	DESCRIPTION	BY	DATE	CCN
	ALL DIMENSIONS ARE IN DECIMAL INCHES TOLERANCES UNLESS OTHERWISE SPECIFIED			
	<u>POLYETHYLENE</u> ±1% @ 68°F			
	<u>METAL</u> DECIMAL ± .125" FRACTION ± 1/4" ANGLE ± 1°			



DESCRIPTION OPEN TOP 245 GALLON, 31" DIA. BATCH TANK.	
SCALE N.S.	PART NO. OP0245-31
SHEET. 1 OF 1	