



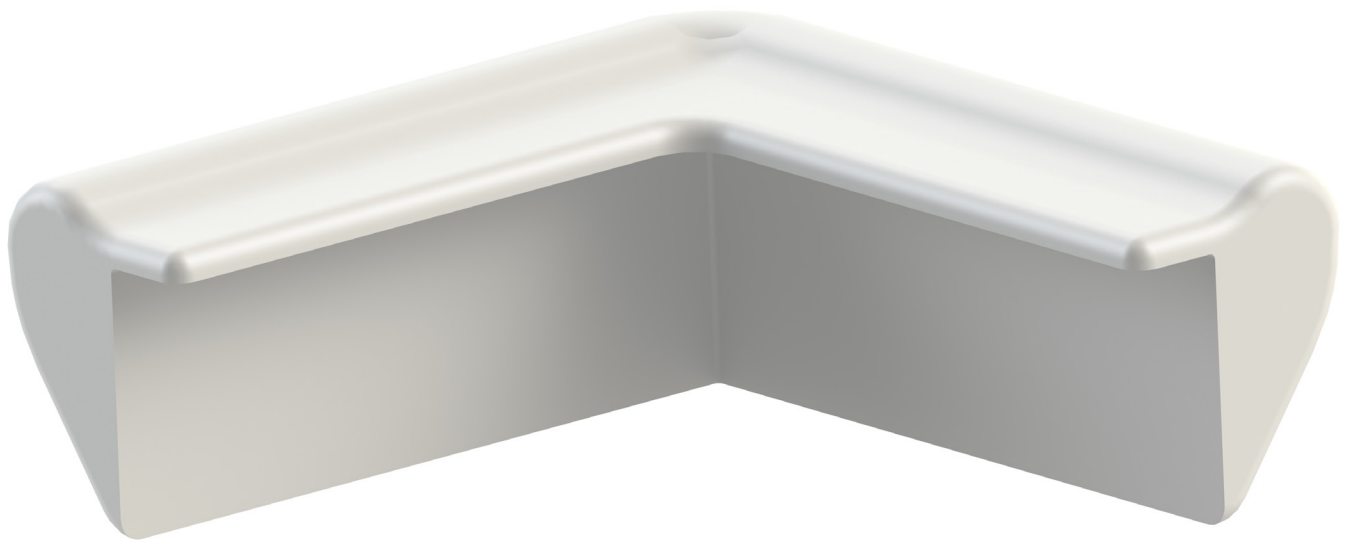
Ace Roto-Mold

May 2018

NEW

PRODUCT RELEASE

DOCK CORNER CUSHION



Features:

- Rotationally molded PVC dock corner cushion (also referred to as a dock bumper)
- Designed to be installed on boat dock structures (floating or fixed)
- Intended for the protection of watercraft when porting or de-porting the dock
- Cushion features top and bottom flanges for fastener installation
- Product is constructed from PVC (Polyvinyl Chloride) with compounded U.V. inhibitors
- Package will consist of 14 cushions
- Available in white, grey or black colors



Den Hartog
INDUSTRIES, INC.
"Always at Your Service"

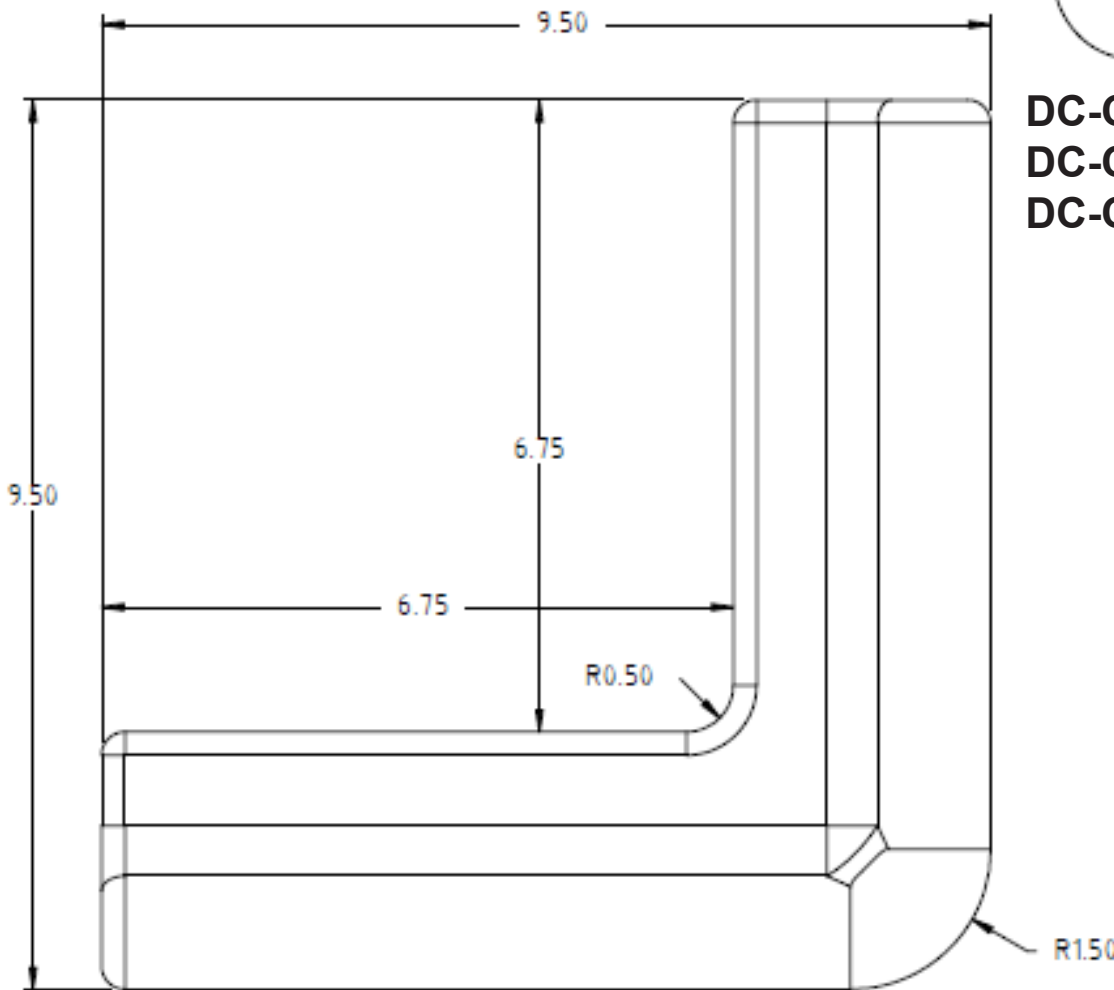
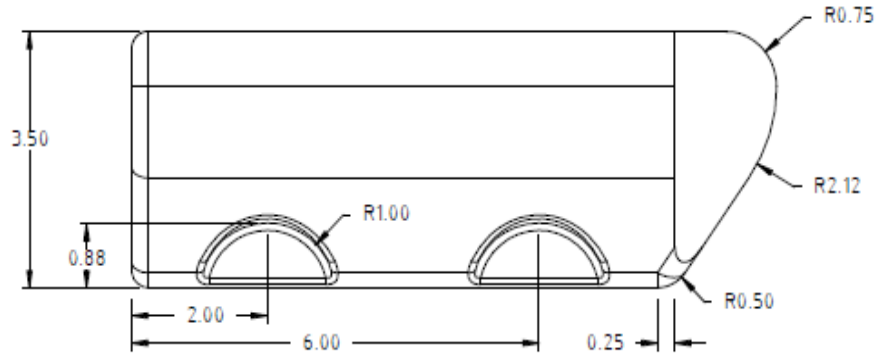
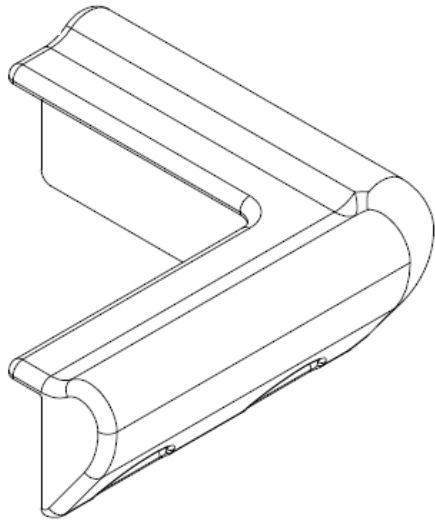
Ph: 800-342-3408
Fax: 712-752-8222

www.denhartogindustries.com
sales@denhartogindustries.com

4010 Hospers Dr. South
Hospers, IA 51238

CORNER CUSHION

SPECIFICATIONS



DC-CSO-BK (BLACK)
DC-CSO-GY (GRAY)
DC-CSO-WE (WHITE)



Ace Roto-Mold Floats
IMANNA Laboratories
Tested and Certified



Den Hartog
INDUSTRIES, INC.
"Always at Your Service"

Ph: 800-342-3408
Fax: 712-752-8222

www.denhartogindustries.com
sales@denhartogindustries.com

4010 Hospers Dr. South
Hospers, IA 51238