

Ace Roto-Mold

June 2019

PRODUCT RELEASE

Long Slot Float FFLS4848-16 Foam Filled Float AFLS4848-16 Air Filled Float

FFLS4848-16



Features:


- Designed as a foam-filled dock float.
- Features eight 2 3/4" long mounting slots.
- Float top and bottom are ribbed for strength. Sidewalls are ribbed at each connection point for strength.
- Float is furnished with one 3/8" NPT plug for thermal ventilation when out of water.
- Encasement is produced from Linear Low Density Polyethylene.
- Foam fill is expanded polystyrene (EPS) with a density of 1 lb./cu. ft.
- Tank is designed for buoyancy support of floating dock systems.
- Ace foam-filled products are tested in accordance with ASTM industry standards.
- Ace float drums are designed to provide a safe and durable means for the support of floating docks providing that the float is handled, installed, used and maintained in accordance with the Installation Guidelines Manual available from the factory.

Specifications:

- Dimensions: 47 1/2" W x 47 1/2" L x 16" H
- Color: Black
- Maximum support buoyancy of FFLS4848-16 float is 1115 lbs., with a shipping weight of 67 lbs.
- Shipping weight of AFLS4848-16 float is 45 lb.



Den Hartog
INDUSTRIES, INC.
"Always at Your Service"

 **Warning: Cancer and Reproductive Harm.**
www.P65Warnings.ca.gov

Ph: 800-342-3408
Fax: 712-752-8222

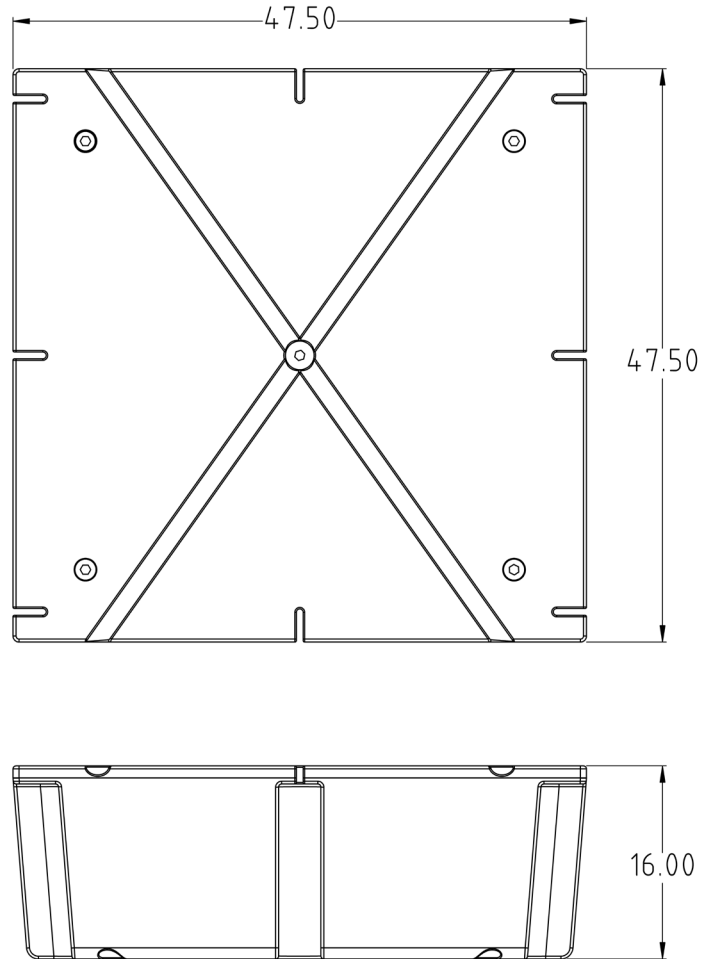
www.denhartogindustries.com
sales@denhartogindustries.com

4010 Hospers Dr. South
Hospers, IA 51238


Long Slot Float

SPECIFICATIONS

FFLS4848-16 Foam Filled Float
AFLS4848-16 Air Filled Float



 **Den Hartog**
INDUSTRIES, INC.
"Always at Your Service"

 **Warning: Cancer and Reproductive Harm.**
www.P65Warnings.ca.gov

Ph: 800-342-3408
Fax: 712-752-8222

www.denhartogindustries.com
sales@denhartogindustries.com

4010 Hospers Dr. South
Hospers, IA 51238