

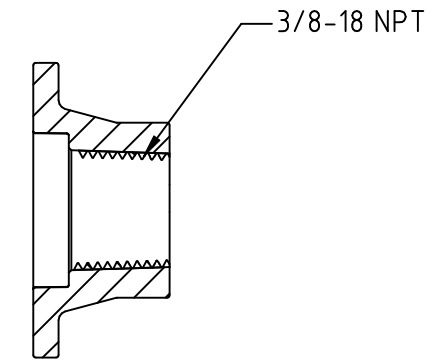
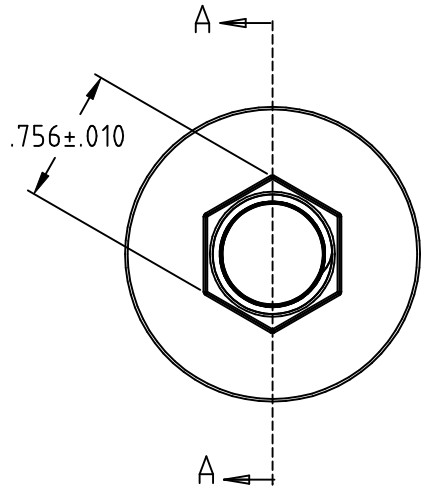
PROPRIETARY DATA

PROPERTY OF ACE ROTO-MOLD MFG., INC. INFORMATION FURNISHED HEREIN IS THE PROPERTY OF ACE ROTO-MOLD MFG., INC. AND SHALL NOT BE USED, DISCLOSED TO OTHERS, OR COPIED WITHOUT THE EXPRESSED WRITTEN CONSENT OF ACE ROTO-MOLD MFG., INC. ALL RIGHTS RESERVED.

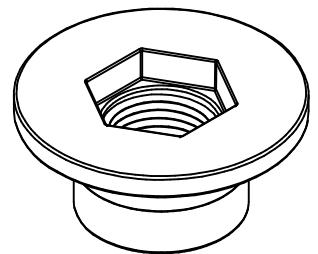
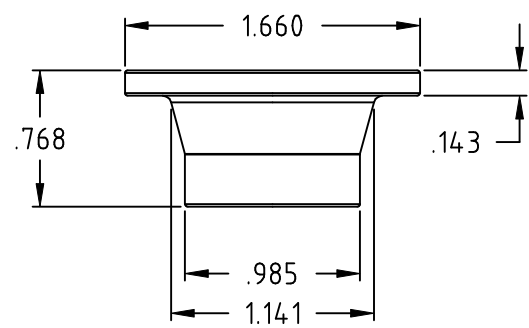
PART NUMBER	DESCRIPTION	MATERIAL
12085	SPINWELD, 3/8" FLUSH BLUE	66326
12092	SPINWELD, 3/8" FLUSH GREEN	66328
10044	SPINWELD, 3/8" FLUSH GREY	66314
10001	SPINWELD, 3/8" FLUSH NATURAL	66335
12136	SPINWELD, 3/8" FLUSH ORANGE	66444
10155	SPINWELD, 3/8" FLUSH WHITE	60402W
12140	SPINWELD, 3/8" FLUSH YELLOW	66445
10041	SPINWELD, 3/8" FLUSH BLACK	60402B

10041

B



SECTION A-A



B	ADDED P.N. TABLE	CCN 1509	11/16/07	ADH	DRAWN / DATE	GWC / 5-11-06	MATERIAL
A	UPDATE LOGO	CCN 1296	4/17/07	GWC	APPRD. / DATE	REH 4/18/07	HDPE OR EQUIVALENT REFERENCE MATERIAL DATA SHEET FOR SPECIFIC PROPERTIES.
REV	DESCRIPTION		DATE	APPRD			
ALL DIMENSIONS ARE IN DECIMAL INCHES TOLERANCES UNLESS OTHERWISE SPECIFIED					THIRD ANGLE PROJECTION ANSI 14.5M		NOTES:
.XXX +/- .006 .XX +/- .016 .X +/- .032							1. PART WEIGHT 11 GRAMS

INJECTION MOLDING
A DIVISION OF DEN HARTOG INDUSTRIES, INC.
4010 HOSPERS DRIVE S., BOX 425, HOSPERS, IOWA 51238-0425

CLIENT / DESCRIPTION		3/8" SPINWELD	
SCALE	N.S.	PART NO.	SEE SCH.