

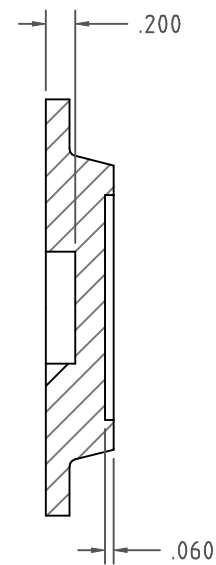
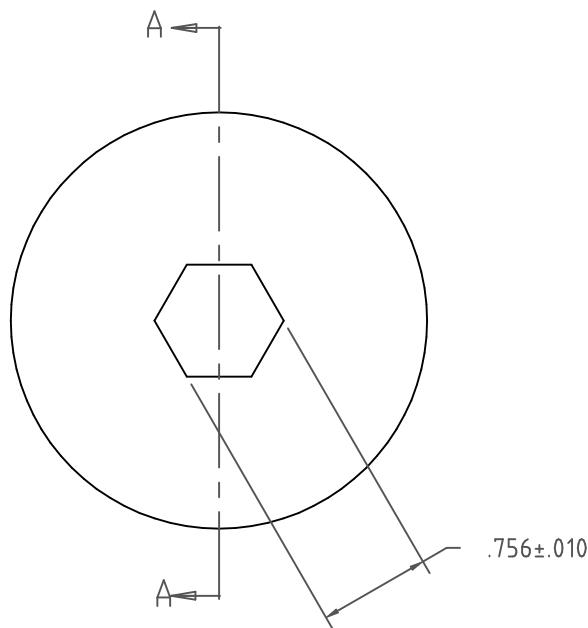
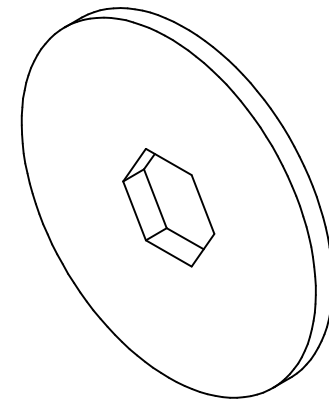
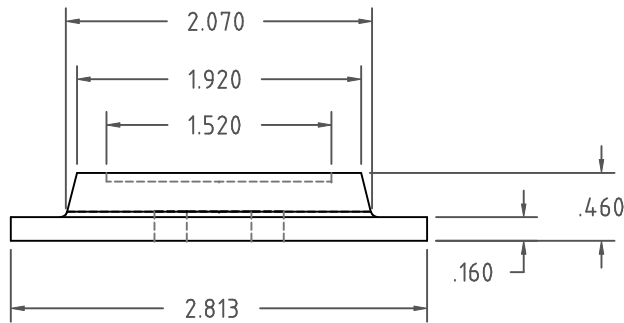
PROPRIETARY DATA

10441

B

PROPERTY OF ACE ROTO-MOLD MFG., INC. INFORMATION FURNISHED HEREIN IS THE PROPERTY OF ACE ROTO-MOLD MFG., INC. AND SHALL NOT BE USED, DISCLOSED TO OTHERS, OR COPIED WITHOUT THE EXPRESSED WRITTEN CONSENT OF ACE ROTO-MOLD MFG., INC. ALL RIGHTS RESERVED.

PART NUMBER	DESCRIPTION	MATERIAL
12084	SPINWELD, 2" PATCH BLUE	66326
13441	SPINWELD, 2" PATCH GRAY	66314
12091	SPINWELD, 2" PATCH GREEN	66328
12135	SPINWELD, 2" PATCH ORANGE	66444
13009	SPINWELD, 2" PATCH WHITE	60402W
12139	SPINWELD, 2" PATCH YELLOW	66445
10441	SPINWELD, 2" PATCH BLACK	60402B



SECTION A-A
SCALE 1 : 1

REV	DESCRIPTION	DATE	APPRD	DRAWN / DATE	MATERIAL	
B	ADDED P.N. TABLE CCN 1509	11/16/07	ADH	GWC / 5-10-06	HDPE OR EQUIVALENT REFERENCE MATERIAL DATA SHEET FOR SPECIFIC PROPERTIES.	
A	UPDATE LOGO CCN 1296	4/17/07	GWC	APPRD. / DATE REH 4/18/07		
<p>ALL DIMENSIONS ARE IN DECIMAL INCHES TOLERANCES UNLESS OTHERWISE SPECIFIED</p> <p>.XXX +/- .006 .XX +/- .016 .X +/- .032</p>				<p>THIRD ANGLE PROJECTION ANSI 14.5M</p>		<p>NOTES:</p> <p>1. PART WEIGHT .33 GRAMS</p>

INJECTION MOLDING
A DIVISION OF DEN HARTOG INDUSTRIES, INC.
4010 HOSPERS DRIVE S., BOX 425, HOSPERS, IOWA 51238-0425

CLIENT / DESCRIPTION		2 Inch Spin Weld	
SCALE	N.S.	PART NO.	SEE SCH.