

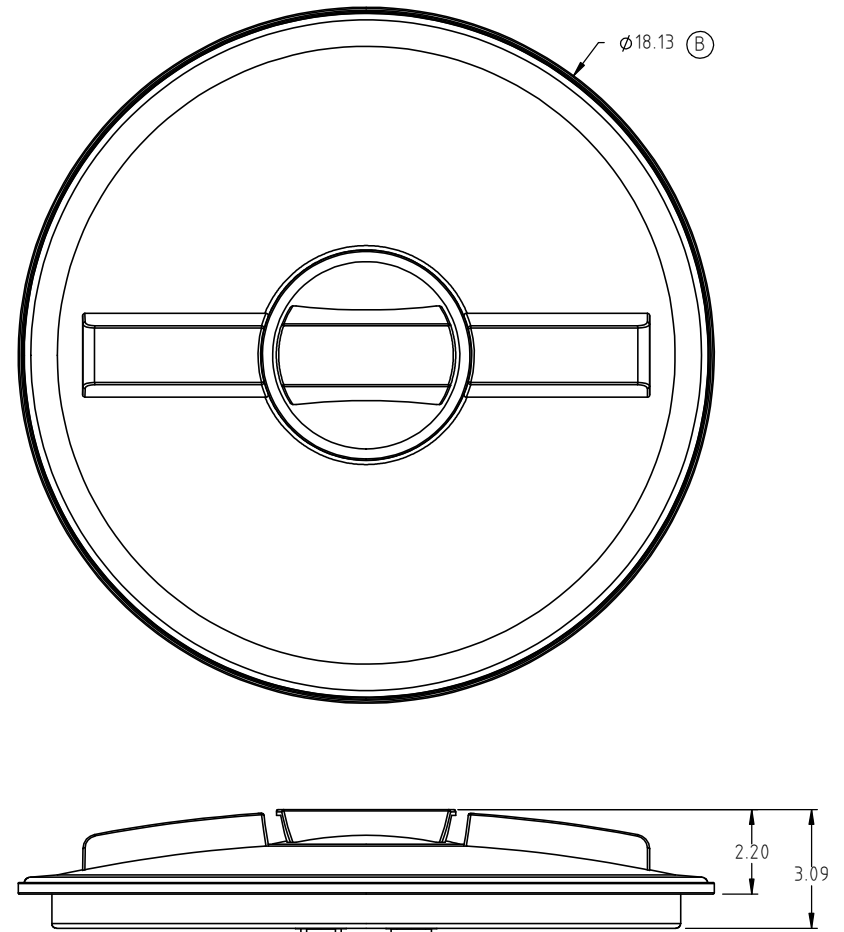
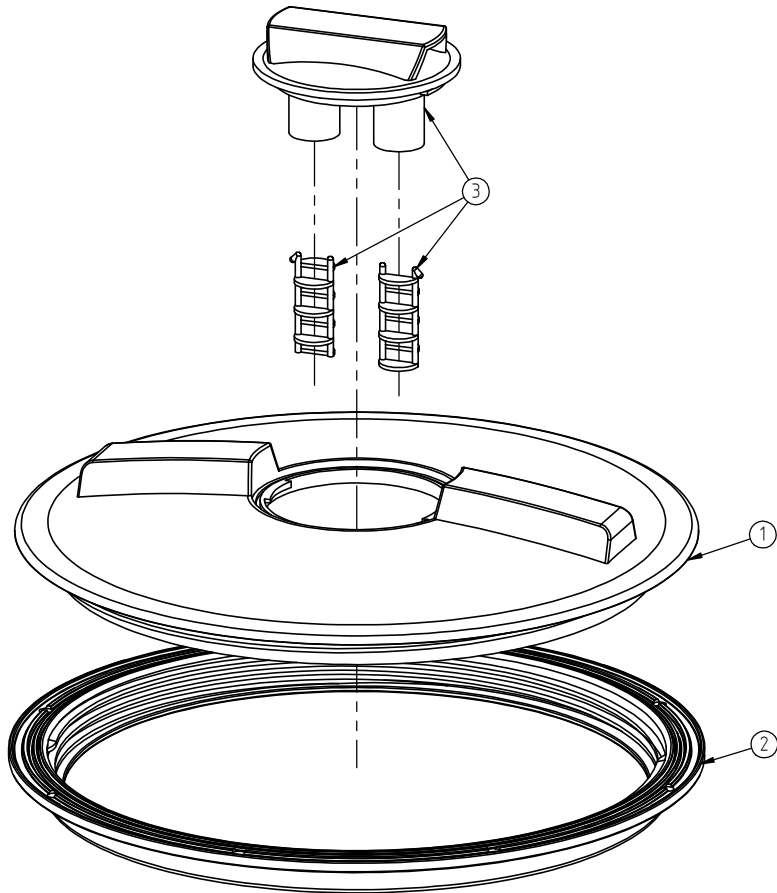
© DEN HARTOG INDUSTRIES, INC.

Copyright. All information furnished within this document, electronic file or design correspondence is the property of Den Hartog industries, Inc. and shall not be used, disclosed to others or copied without the expressed written consent of Den Hartog Industries, Inc.

KEY	PART NUMBER	DESCRIPTION	QTY.
1	60030	16" LID	1
2	60031	16" RING	1
3	10529	4" CENTER BREATHER ASSEMBLY	1

10528

B



REV	DESCRIPTION	BY / DATE	CCN	APPROD. / DATE	MATERIAL
B	DRAWING TEMPLATE/LAYOUT/DIMENSIONS UPDATED	ADH 8/23/13	2670	NVE 6/22/05	POLYPROPYLENE REFERENCE MATERIAL DATA SHEET FOR SPECIFIC PROPERTIES
A	UPDATE LOGO AND TOL.	GWC 4/20/07	1296	DHJ 12/9/05	
REV	DESCRIPTION	BY / DATE	CCN	APPROD. / DATE	

ALL DIMENSIONS ARE IN DECIMAL INCHES TOLERANCES UNLESS OTHERWISE SPECIFIED		THIRD ANGLE PROJECTION ANSI 14.5M	SHOT WEIGHT: 3.5 LBS	NOTES: 1.) NOM. WALL @ 2.) BLACK COLOR
POLYETHYLENE	METAL DECIMAL ± .125" FRACTION ± 1/4" ANGLE ± 1°		SHIPPING WEIGHT:	
±1% @ 68°F			FINISH:	



**Den Hartog**  
INDUSTRIES, INC.

Ace Roto-Mold Injection Molding Blow Molding Sowjoy

4010 HOSPERS DRIVE S. BOX 425, HOSPERS, IOWA 51238-0425

DESCRIPTION		16 INCH LID WITH RING AND AIR BREATHER	
SCALE	N.S.	PART NO.	10528