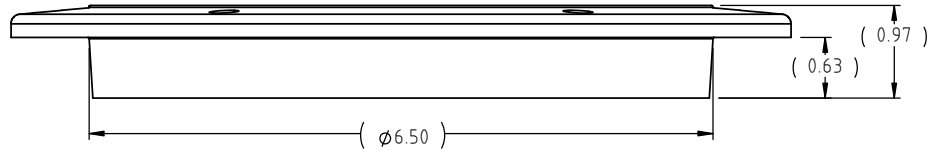
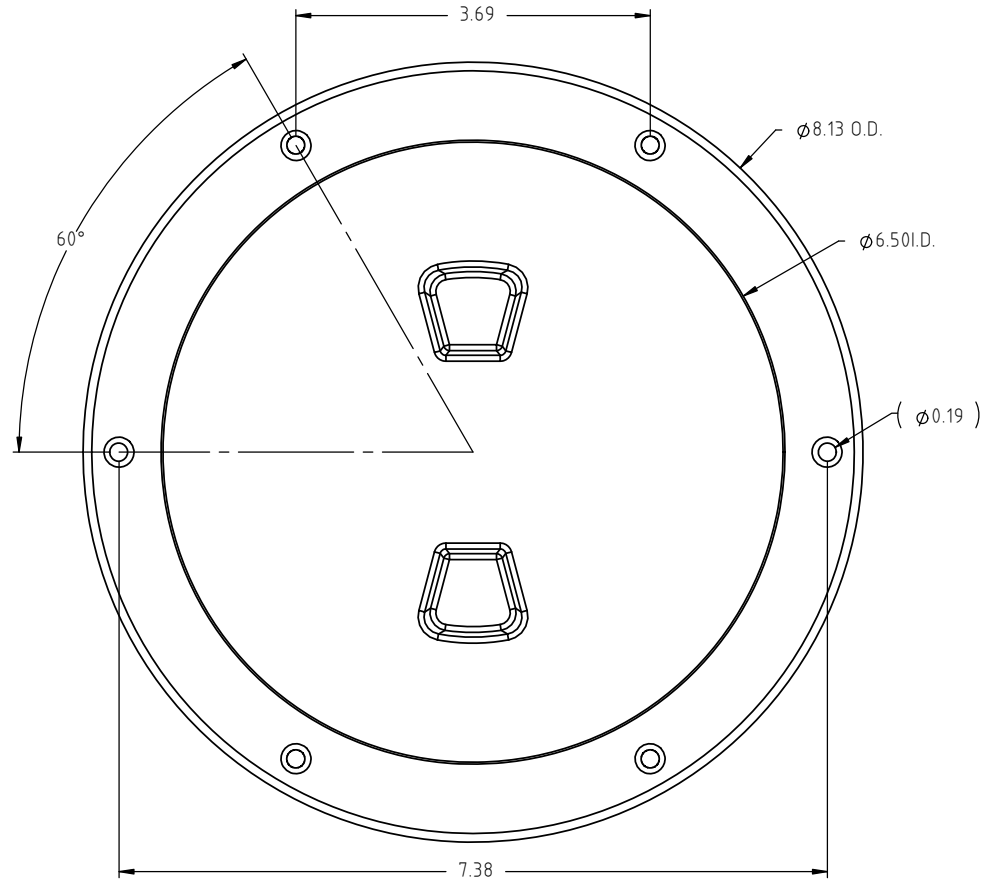
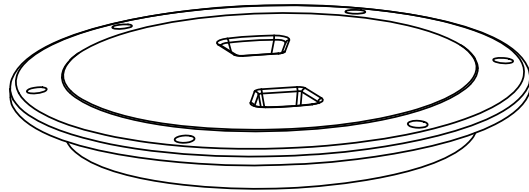

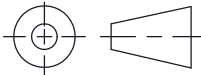


Copyright. All information furnished within this document, electronic file or design correspondence is the property of Den Hartog Industries, Inc. and shall not be used, disclosed to others or copied without the expressed written consent of Den Hartog Industries, Inc.



				DRAWN / DATE ADH 2/5/19	MATERIAL BLACK POLYPROPYLENE	 <p>Den Hartog INDUSTRIES, INC.</p> <p>Ace Roto-Mold Injection Molding Blow Molding Sowjoy</p> <p>4010 HOSPERS DRIVE S. BOX 425, HOSPERS, IOWA 51238-0425</p>
				APPRD. / DATE REH 2/7/19		
REV	DESCRIPTION	BY / DATE	CCN			DESCRIPTION LID, 6" ACCESS PLATE WITH RING
ALL DIMENSIONS ARE IN DECIMAL INCHES TOLERANCES UNLESS OTHERWISE SPECIFIED POLYETHYLENE		THIRD ANGLE PROJECTION ANSI 14.5M		SHOT WEIGHT: N.A.	NOTES: PURCHASED	SCALE N.S.
±1% @ 68°F				SHIPPING WEIGHT:		PART NO. 10921
METAL DECIMAL ± .125" FRACTION ± 1/4" ANGLE ± 1°				FINISH: N.A.		