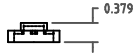


**PROPRIETARY DATA**

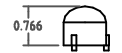
PROPERTY OF ACE ROTO-MOLD MFG., INC. INFORMATION FURNISHED HEREIN IS THE PROPERTY OF ACE ROTO-MOLD MFG., INC. AND SHALL NOT BE USED, DISCLOSED TO OTHERS, OR COPIED WITHOUT THE EXPRESSED WRITTEN CONSENT OF ACE ROTO-MOLD MFG., INC. ALL RIGHTS RESERVED.

12414

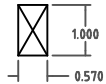
B



VENT BASE 12417

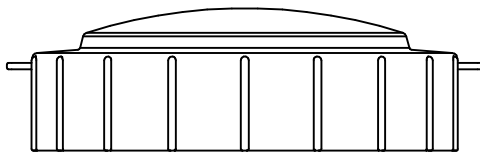


VENT PLUG 12416

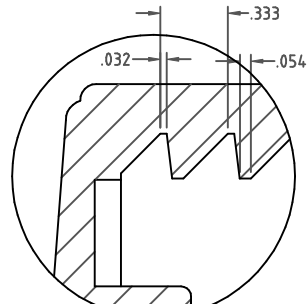
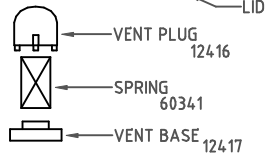


SPRING 60341

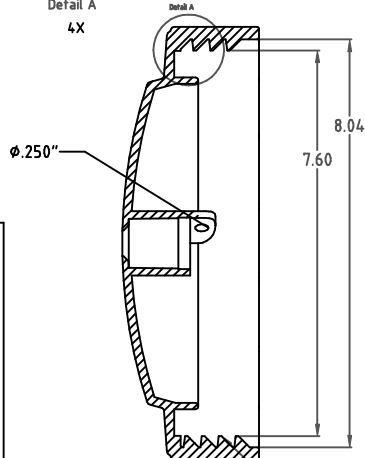
**ASSEMBLY**



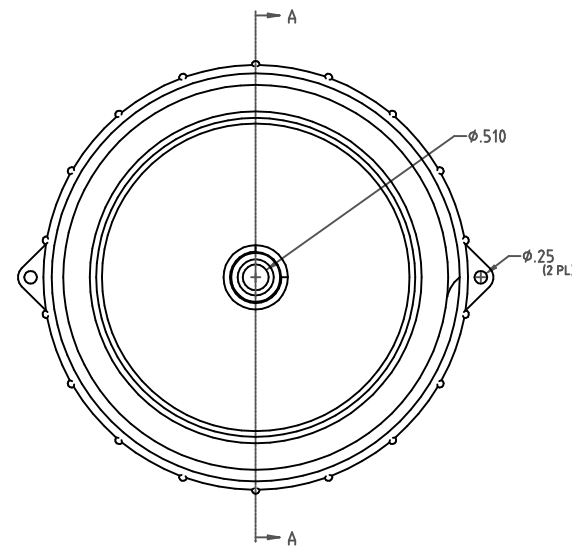
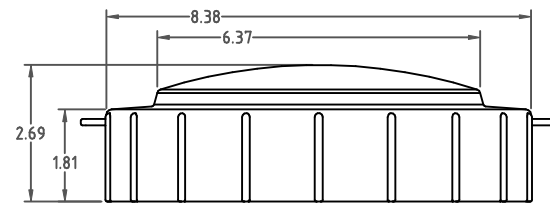
ULTRASONIC WELD  
VENT BASE INTO LID  
3 PLACES ON SEAM



Detail A  
4X

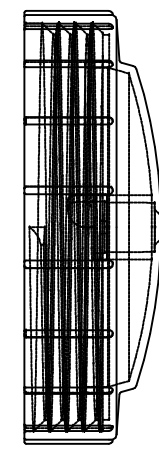
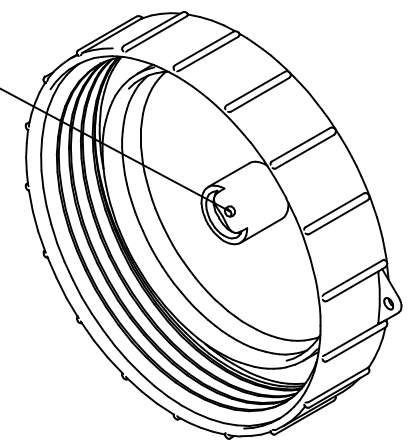


SECTION A-A  
SCALE 1:1



8"-3 BUTTRESS THREAD

1/4" lanyard hole



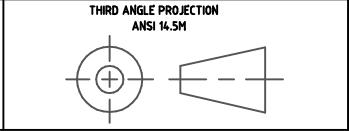
REV	DESCRIPTION	DATE	APPRD
B	ADD LANYARD HOLE CCN 1343	6/4/07	GWC
A	UPDATE LOGO CCN 1296	4/23/07	GWC

DRAWN / DATE	10/30/06 GWC
APPRD. / DATE	REH 4/24/07

**MATERIAL**  
NO BREAK POLYPROPYLENE  
REFERENCE MATERIAL DATA SHEET  
FOR SPECIFIC PROPERTIES.

**INJECTION MOLDING**  
A DIVISION OF DEN HARTOG INDUSTRIES, INC.  
4010 HOSPERS DRIVE S., BOX 425, HOSPERS, IOWA 51238-0425

ALL DIMENSIONS ARE IN DECIMAL INCHES  
TOLERANCES UNLESS OTHERWISE SPECIFIED  
.XX +/- .032  
.XXX +/- .016



**NOTES:**  
1. NOM. WALL @ .167  
2. BLACK COLOR  
3. PART WEIGHT 400 GRAMS.

CLIENT / DESCRIPTION		7" VENTED IID	
SCALE	N.S.	PART NO.	12414