

PROPRIETARY DATA

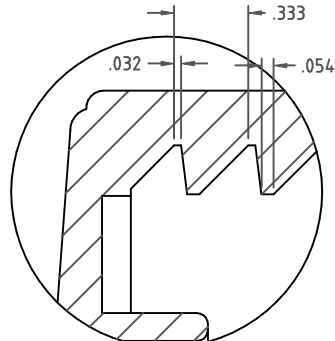
PROPERTY OF ACE ROTO-MOLD MFG., INC. INFORMATION FURNISHED HEREIN IS THE PROPERTY OF ACE ROTO-MOLD MFG., INC. AND SHALL NOT BE USED, DISCLOSED TO OTHERS, OR COPIED WITHOUT THE EXPRESSED WRITTEN CONSENT OF ACE ROTO-MOLD MFG., INC. ALL RIGHTS RESERVED.

12427

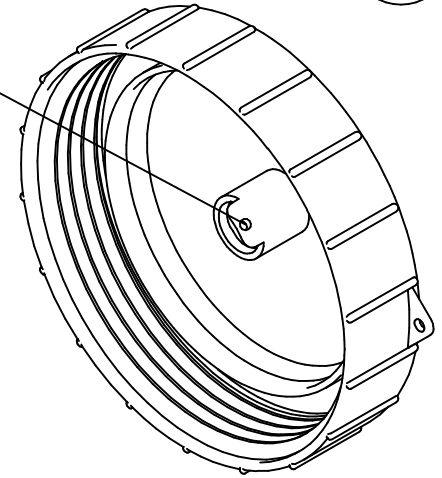
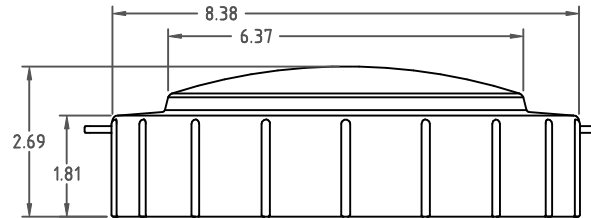
B

1/4" lanyard hole

ⓑ

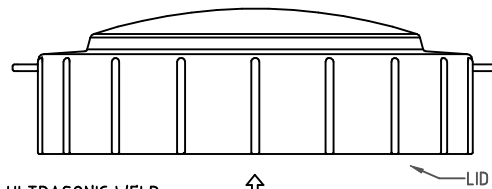


Detail A
4X

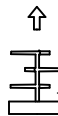


2 WAY STEP VENT
12109

ASSEMBLY

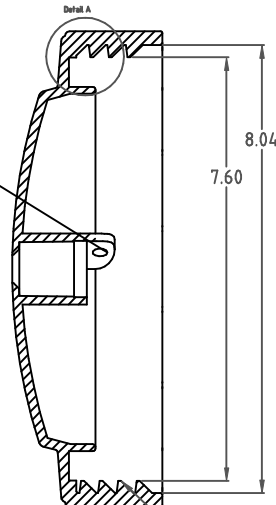


ULTRASONIC WELD
STEP VENT INTO LID
3 PLACES ON SEAM



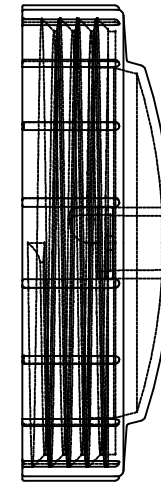
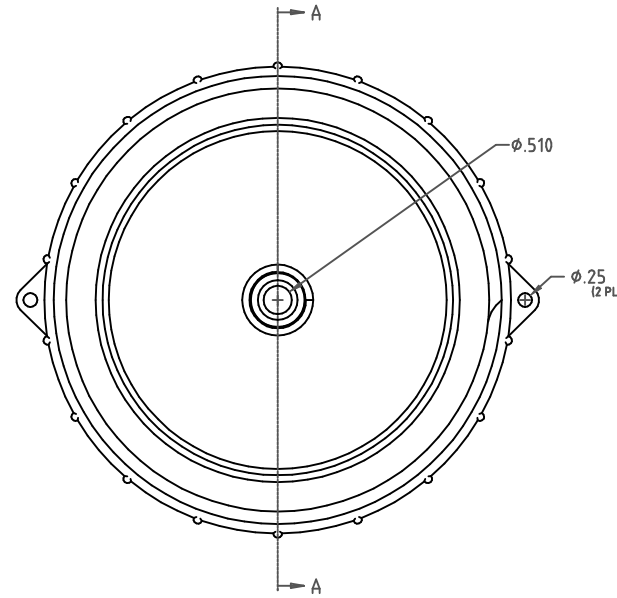
2 WAY
STEP VENT
12109

.25" Ø HOLE



SECTION A-A
SCALE 1 : 1

8"-3 BUTTRESS THREAD



REV	DESCRIPTION	DATE	APPRD	DRAWN / DATE
B	ADD LANYARD HOLE	CCN 1343	6/4/07	GWC
A	UPDATE LOGO	CCN 1296	4/23/07	GWC

MATERIAL
NO BREAK POLYPROPYLENE REFERENCE MATERIAL DATA SHEET FOR SPECIFIC PROPERTIES.



INJECTION MOLDING

A DIVISION OF DEN HARTOG INDUSTRIES, INC.
4010 HOSPERS DRIVE S., BOX 425, HOSPERS, IOWA 51238-0425

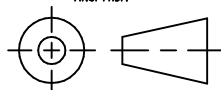
CLIENT / DESCRIPTION
7 INCH 2 WAY STEP VENT LID

SCALE	PART NO.
N.S.	12427

ALL DIMENSIONS ARE IN DECIMAL INCHES
TOLERANCES UNLESS OTHERWISE SPECIFIED

.XXX +/- .016
.XX +/- .032
.X +/- .064

THIRD ANGLE PROJECTION
ANSI 14.5M



NOTES:

1. NOM. WALL @ .167"
2. BLACK COLOR
3. PART WEIGHT 384 GRAMS.