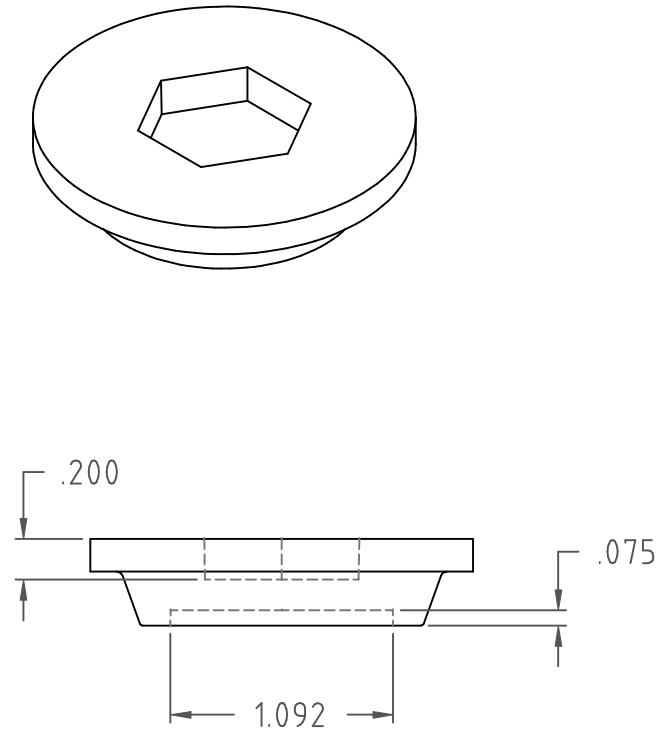
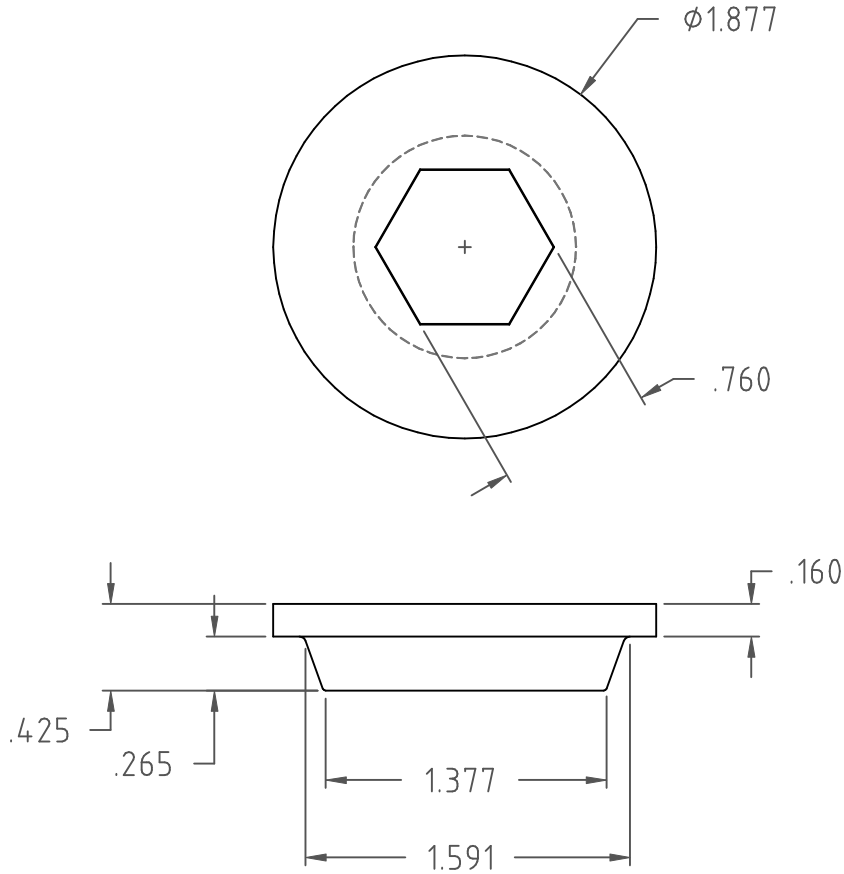



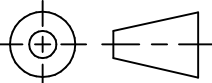
PROPRIETARY DATA

PROPERTY OF ACE ROTO-MOLD MFG., INC. INFORMATION FURNISHED HEREIN IS THE PROPERTY OF ACE ROTO-MOLD MFG., INC. AND SHALL NOT BE USED, DISCLOSED TO OTHERS, OR COPIED WITHOUT THE EXPRESSED WRITTEN CONSENT OF ACE ROTO-MOLD MFG., INC. ALL RIGHTS RESERVED.

12429

A



				DRAWN / DATE 3/14/07 GWC		MATERIAL		 INJECTION MOLDING A DIVISION OF DEN HARTOG INDUSTRIES, INC. 4010 HOSPERS DRIVE S., BOX 425, HOSPERS, IOWA 51238-0425	
				APPRD. / DATE REHG 4/17/07		LLDPE REFERENCE MATERIAL DATA SHEET FOR SPECIFIC PROPERTIES.			
A	UPDATE LOGO	CCN 1296	4/17/07	GWC			CLIENT / DESCRIPTION		
REV	DESCRIPTION	DATE	APPRD					SPINWELD, 1 1/2" PATCH BLACK	
ALL DIMENSIONS ARE IN DECIMAL INCHES TOLERANCES UNLESS OTHERWISE SPECIFIED .XXX +/- .006 .XX +/- .016 .X +/- .032				THIRD ANGLE PROJECTION ANSI 14.5M 		NOTES: 1. NOM. WALL @ .150 2. BLACK COLOR 3. PART WEIGHT 12 GRAMS.		SCALE	PART NO.
								N.S.	12429