

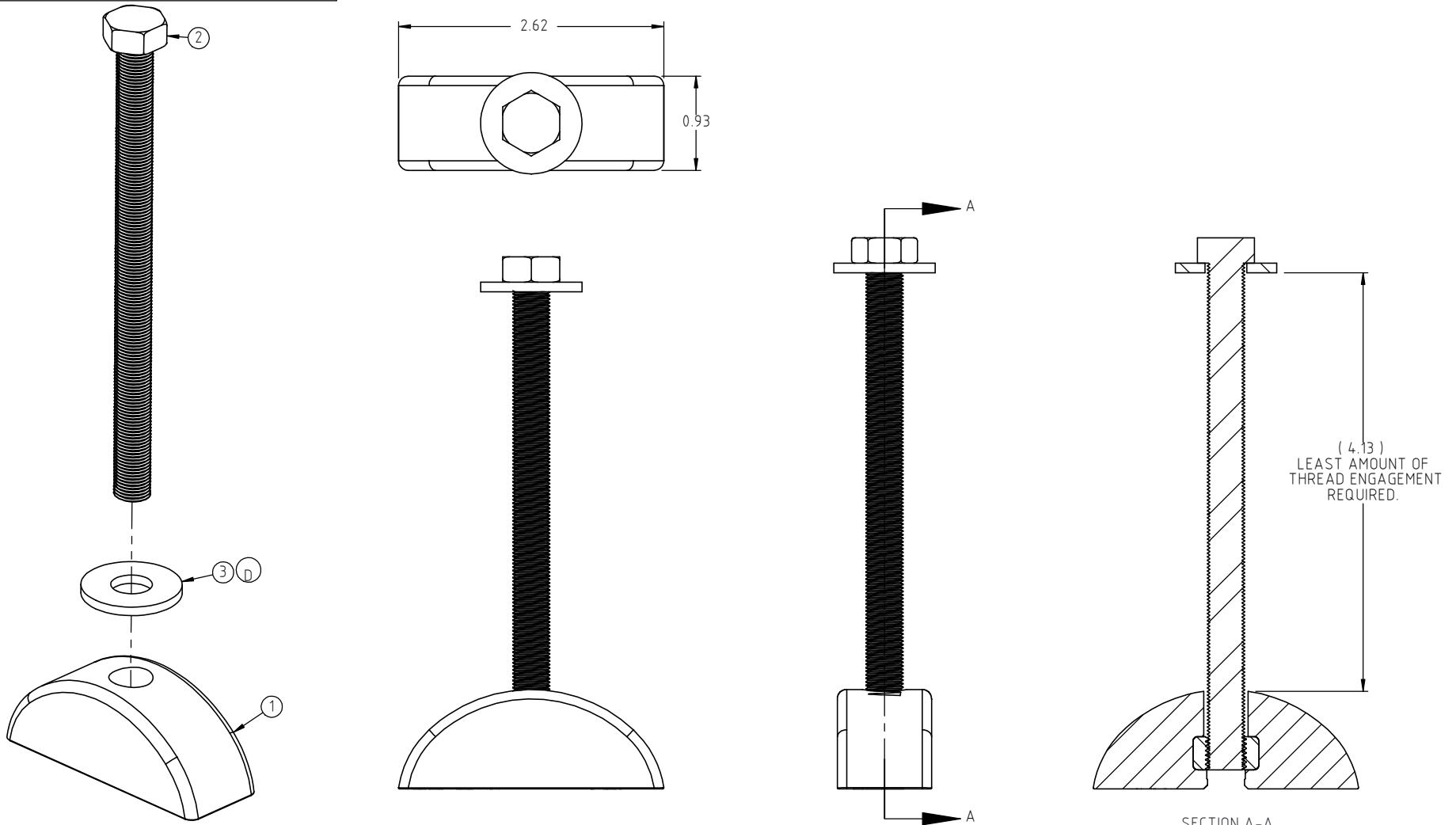
© DEN HARTOG INDUSTRIES, INC.

Copyright. All information furnished within this document, electronic file or design correspondence is the property of Den Hartog industries, Inc. and shall not be used, disclosed to others or copied without the expressed written consent of Den Hartog Industries, Inc.


KEY	PART NUMBER	DESCRIPTION	QTY.
1	12449-SSNB	ANCHOR RITE, 22 NUT	1
2	12463	BOLT, 3/8"-16 X 5" HEX SS	1
3	11094	WASHER, 3/8" X 1" OD FLAT SS	1

12449-SS5

D



D	SJ10102 CHANGED BACK TO 11094	ADH 1/9/15	2999		
C	SJ10102 WAS 11094, PRINT RELEASED	ADH 9/15/14	2914	DRAWN / DATE	MATERIAL (A)(B)(C)
B	YELLOW COLORANT REMOVED	ADH 1/18/08	1563	ADH 9/4/14	SEE COMPONENTS
A	COLOR WAS BLACK	REH 7/27/07	1405	APPRD. / DATE	
REV	DESCRIPTION	BY / DATE	CCN	REH 9/12/14	
ALL DIMENSIONS ARE IN DECIMAL INCHES TOLERANCES UNLESS OTHERWISE SPECIFIED		THIRD ANGLE PROJECTION ANSI 14.5M		SHOT WEIGHT:	NOTES:
NOTE		TOLERANCE: .XXX ± .005" .XX ± .010 ANGLE ± 1°		SHIPPING WEIGHT: 23.50 LBS PER 100 PC.	
		FINISH:			



# Den Hartog

INDUSTRIES, INC.

Ace Roto-Mold Injection Molding Blow Molding Sowjoy

4010 HOSPERS DRIVE S. BOX 425, HOSPERS, IOWA 51238-0425

DESCRIPTION		ANCHOR RITE-SS W/ 5" BOLT	
SCALE	N.S.	PART NO.	12449-SS5