

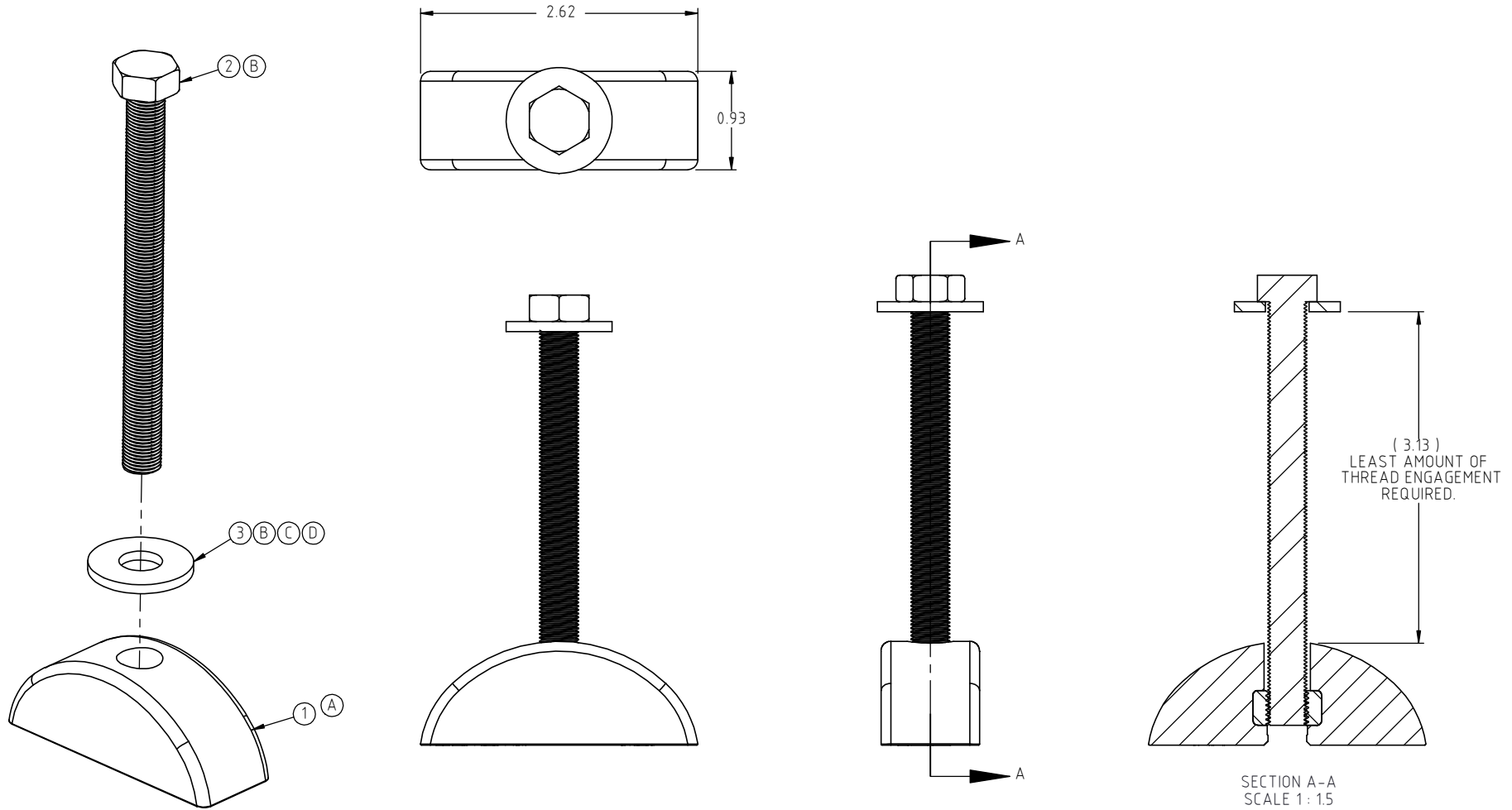
© DEN HARTOG INDUSTRIES, INC.

Copyright. All information furnished within this document, electronic file or design correspondence is the property of Den Hartog Industries, Inc. and shall not be used, disclosed to others or copied without the expressed written consent of Den Hartog Industries, Inc.

KEY	PART NUMBER	DESCRIPTION	QTY.
1	12449-ZNB	ANCHOR RITE W/ZINC NUT DHI	1
2	12602	BOLT, 3/8"-16 X 4" HEX SS	1
3	11094	WASHER, 3/8" X 1" OD FLAT SS	1

12449-Z

D



D	SJ10102 CHANGED BACK TO 11094.	ADH 1/9/15	2999		
C	SJ10102 WAS 11094, PRINT LAYOUT/TEMPLATE UPDATED.	ADH 9/15/14	2914	DRAWN / DATE GWC 2/5/07	MATERIAL (A)(C)
B	BOLT AND WASHER GIVEN SEPARATE P.N.'S	ADH 11/17/08			SEE COMPONENTS
A	ADD PART NUMBER	GWC 6/7/07	1405	APPRD. / DATE REH 4/6/07	
REV	DESCRIPTION	BY / DATE	CCN		
ALL DIMENSIONS ARE IN DECIMAL INCHES TOLERANCES UNLESS OTHERWISE SPECIFIED		THIRD ANGLE PROJECTION ANSI 14.5M		SHOT WEIGHT:	NOTES:
NOTE		TOLERANCE: .XXX ± .005" .XX ± .010 ANGLE ± 1°		SHIPPING WEIGHT: 21.50 LBS PER 100 PC.	
		FINISH:			



Den Hartog
INDUSTRIES, INC.

Ace Roto-Mold Injection Molding Blow Molding Sowjoy

4010 HOSPERS DRIVE S. BOX 425, HOSPERS, IOWA 51238-0425

DESCRIPTION ANCHOR RITE-ZINC PLATED HEX NUT

SCALE N.S.

PART NO. 12449-Z