

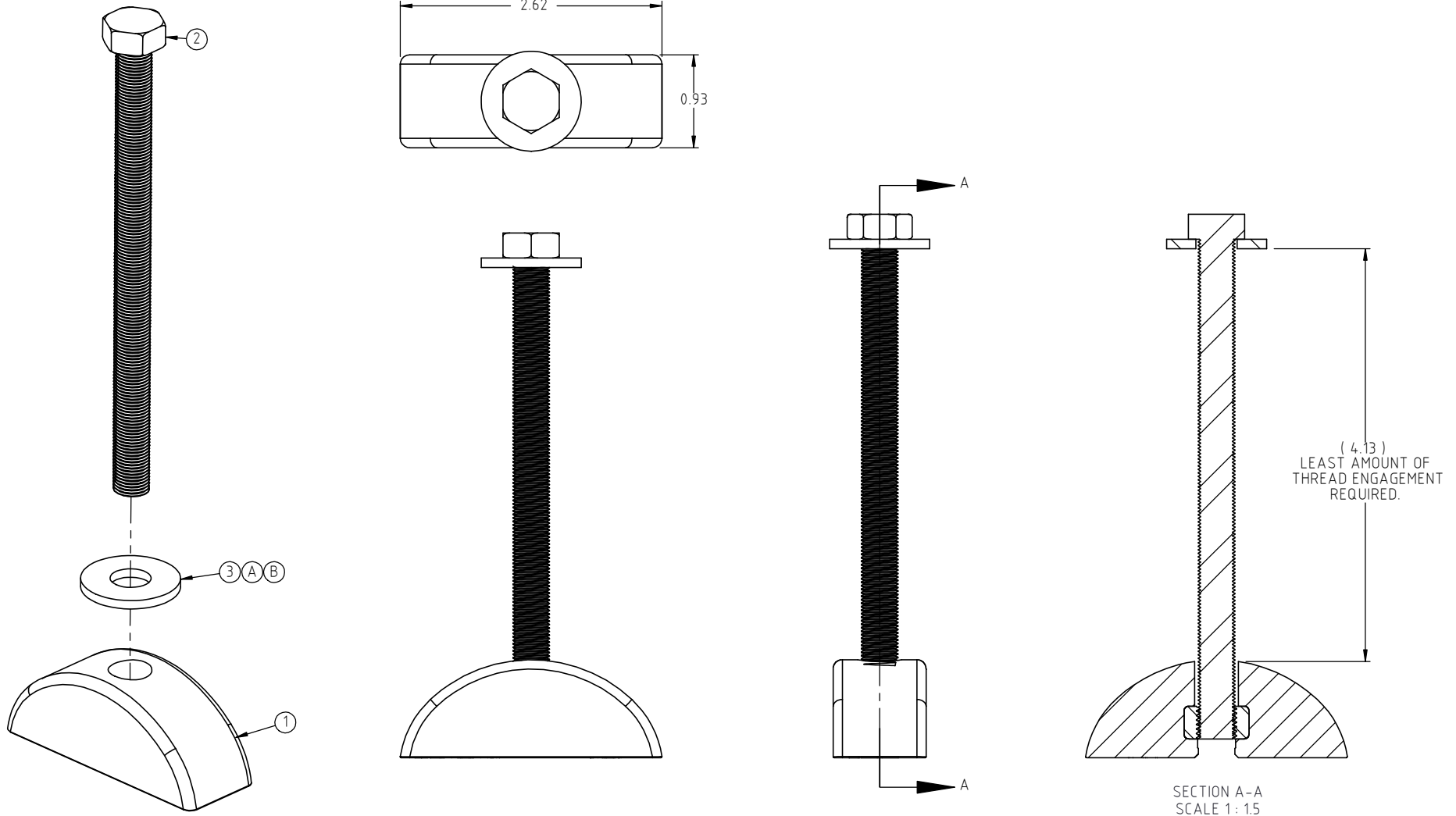
© DEN HARTOG INDUSTRIES, INC.

Copyright. All information furnished within this document, electronic file or design correspondence is the property of Den Hartog industries, Inc. and shall not be used, disclosed to others or copied without the expressed written consent of Den Hartog Industries, Inc.

| KEY | PART NUMBER | DESCRIPTION | QTY. |
|-----|-------------|------------------------------|------|
| 1 | 12449-ZNB | ANCHOR RITE W/ZINC NUT DHI | 1 |
| 2 | 12463 | BOLT, 3/8"-16 X 5" HEX SS | 1 |
| 3 | 11094 | WASHER, 3/8" X 1" OD FLAT SS | 1 |


12449-Z5

B



| REV | DESCRIPTION | BY / DATE | CCN | APPRO. / DATE | MATERIAL |
|-----|---|-------------|------|---------------|----------------|
| B | SJ10102 CHANGED BACK TO 11094 | ADH 1/9/15 | 2999 | GWC 2/5/07 | SEE COMPONENTS |
| A | SJ10102 WAS 11094, PRINT LAYOUT/TEMPLATE UPDATED. | ADH 9/15/14 | 2914 | REH 4/6/07 | |
| REV | DESCRIPTION | BY / DATE | CCN | APPRO. / DATE | |

| | | | | |
|--|--|--------------------------------------|---|--------|
| ALL DIMENSIONS ARE IN DECIMAL INCHES TOLERANCES UNLESS OTHERWISE SPECIFIED | | THIRD ANGLE PROJECTION ANSI 14.5M | SHOT WEIGHT: | NOTES: |
| NOTE | TOLERANCE: .XXX ± .005" .XX ± .010 ANGLE ± 1° | | SHIPPING WEIGHT: 23.50 LBS PER 100 PC. | |
| | | | FINISH: | |



Den Hartog

INDUSTRIES, INC.

Ace Roto-Mold Injection Molding Blow Molding Sowjoy

4010 HOSPERS DRIVE S. BOX 425, HOSPERS, IOWA 51238-0425

| | | | |
|-------------|------|---------------------------------|----------|
| DESCRIPTION | | ANCHOR RITE-ZINC PLATED HEX NUT | |
| SCALE | N.S. | PART NO. | 12449-Z5 |