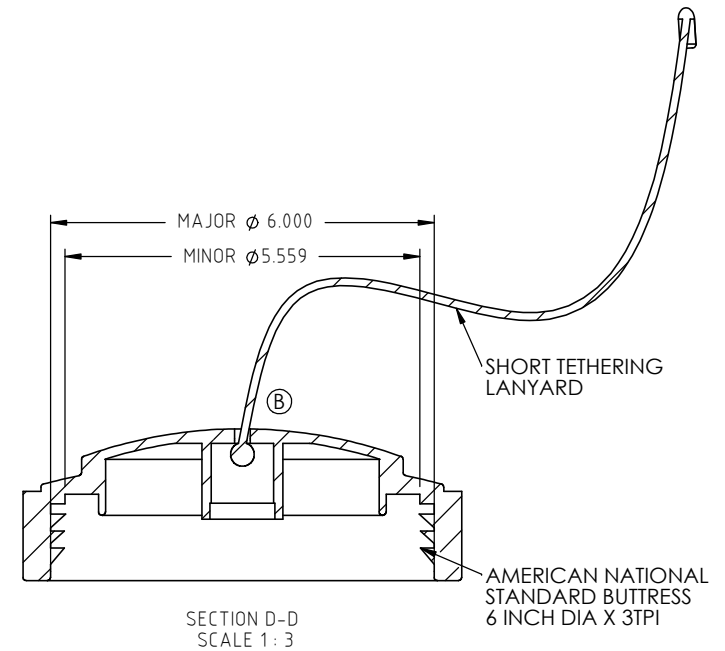
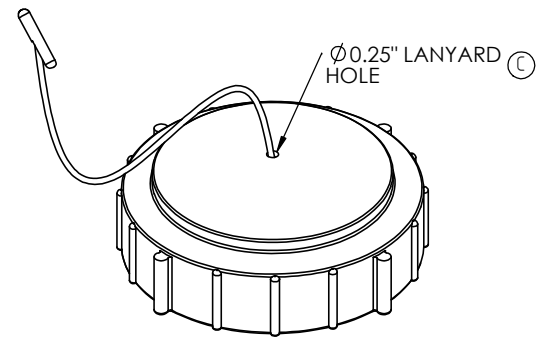
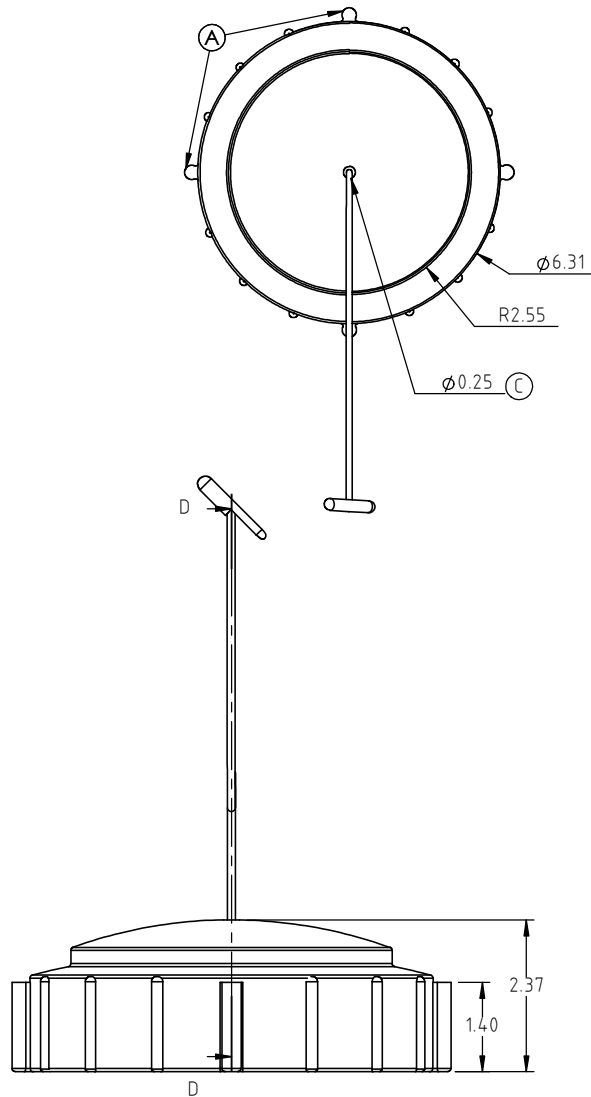
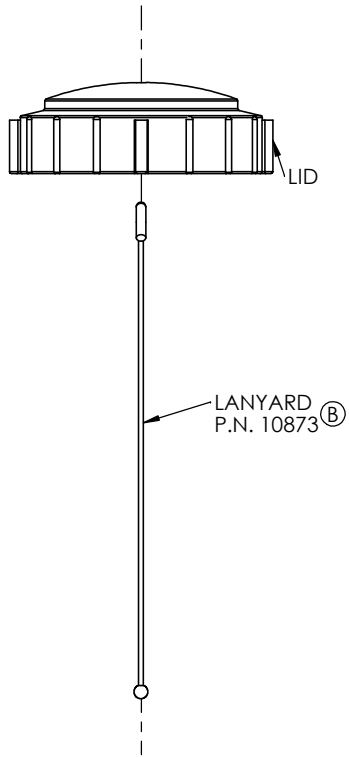



Copyright. All information furnished within this document, electronic file or design correspondence is the property of Den Hartog industries, Inc. and shall not be used, disclosed to others or copied without the expressed written consent of Den Hartog Industries, Inc.

ASSEMBLY



| | | | | | |
|--|--|--------------------------------------|------|-------------------------------|---|
| C | 0.25" LANYARD HOLE WAS A 17/64" HOLE. DRAWING TEMPLATE UPDATED | ADH 6/6/11 | 2233 | DRAWN / DATE ADH 11/13/07 | MATERIAL INOVINE L12Z-01 OR EQUIVALENT |
| B | LANYARD CORRECTED | ADH 6/19/08 | 1682 | APPRD. / DATE MVE 11/17/07 | |
| A | HOLES REMOVED | ADH 6/5/08 | 1645 | | |
| REV | DESCRIPTION | BY / DATE | CCN | | |
| ALL DIMENSIONS ARE IN DECIMAL INCHES TOLERANCES UNLESS OTHERWISE SPECIFIED | | THIRD ANGLE PROJECTION ANSI 14.5M | | SHOT WEIGHT: | NOTES: 1.) BLACK COLOR |
| NOTE | TOLERANCE: .XXX ± .005" .XX ± .010 ANGLE ± 1° | | | SHIPPING WEIGHT: 0.52 LBS. | |
| | | | | FINISH: | |



Den Hartog

INDUSTRIES, INC.

Ace Roto-Mold Injection Molding Blow Molding Sowjoy

4010 HOSPERS DRIVE S. BOX 425, HOSPERS, IOWA 51238-0425

| | |
|---|-------------------|
| DESCRIPTION 5 INCH LID WITH SHORT LANYARD ASSEMBLY | |
| SCALE N.S. | PART NO. 12499 |