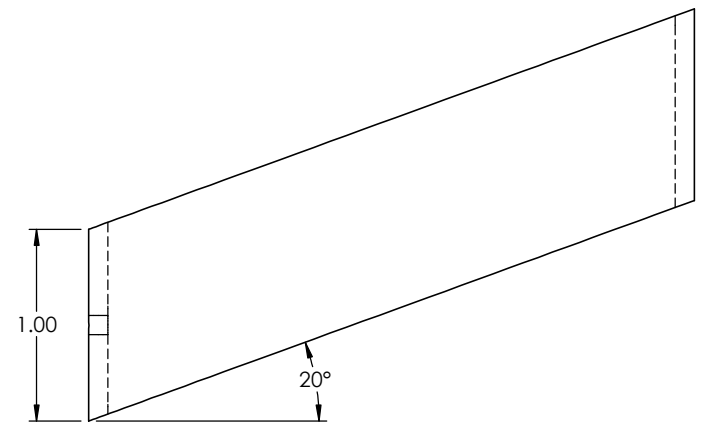
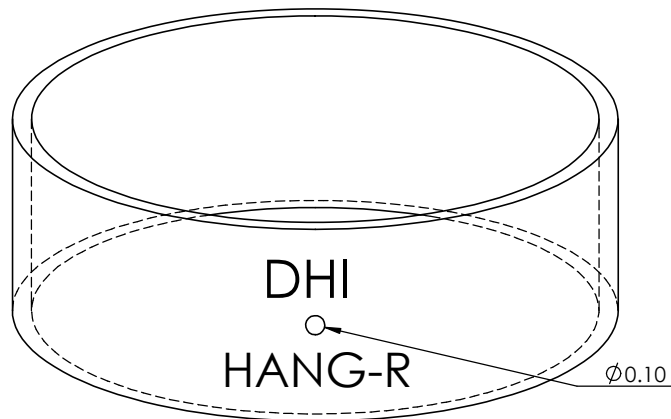
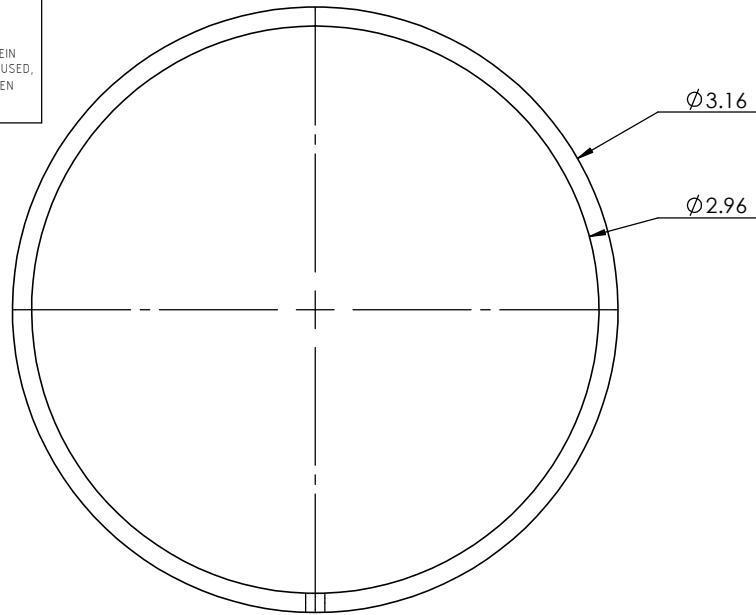


PROPRIETARY DATA


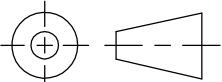
PROPERTY OF DEN HARTOG MFG., INC. INFORMATION FURNISHED HEREIN IS THE PROPERTY OF ACE ROTO-MOLD MFG., INC. AND SHALL NOT BE USED, DISCLOSED TO OTHERS, OR COPIED WITHOUT THE EXPRESSED WRITTEN CONSENT OF ACE ROTO-MOLD MFG., INC. ALL RIGHTS RESERVED.

12530

B



Note: 1/2 degree of draft allowable on inside & outside wall

				DRAWN / DATE ADH 2/13/08	MATERIAL	 <p>Den Hartog INDUSTRIES, INC.</p> <p><i>Ace Roto-Mold Injection Molding Blow Molding Sowjoy</i></p> <p>4010 HOSPERS DRIVE S. BOX 421, HOSPERS, IOWA 51238-0421</p>
B	Specified material grade	MVE 11/18/11	2329	APPRD. / DATE MVE 2/13/08	ExxonMobil HDPE HD 6601	
A	Material was Polypropylene	MVE 9/27/10	2089			
REV	DESCRIPTION	BY / DATE	CCN			DESCRIPTION HANG-R
ALL DIMENSIONS ARE IN DECIMAL INCHES TOLERANCES UNLESS OTHERWISE SPECIFIED DECIMAL ± .30"				THIRD ANGLE PROJECTION ANSI 14.5M 	NOTES:	SCALE N.S.
						PART NO. 12530