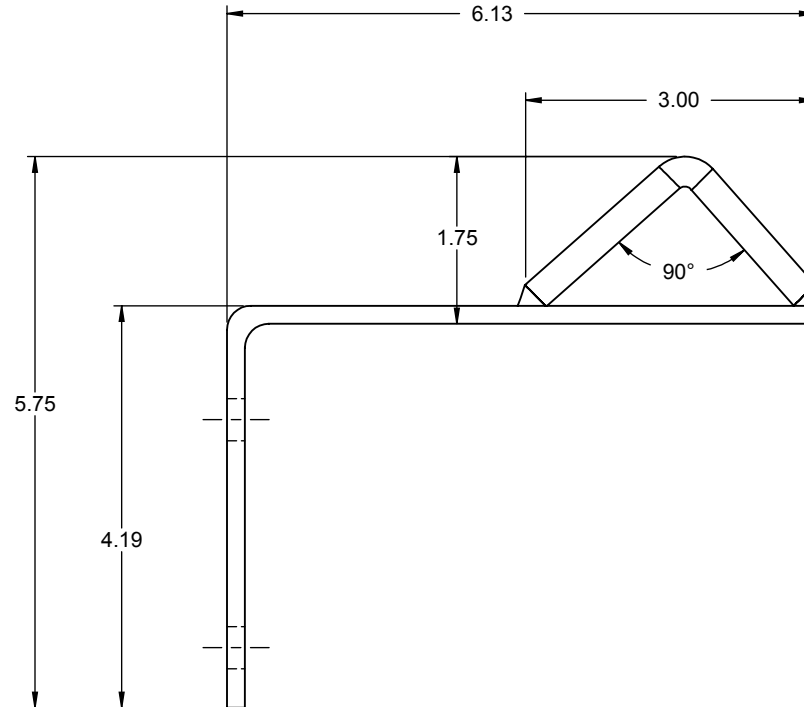
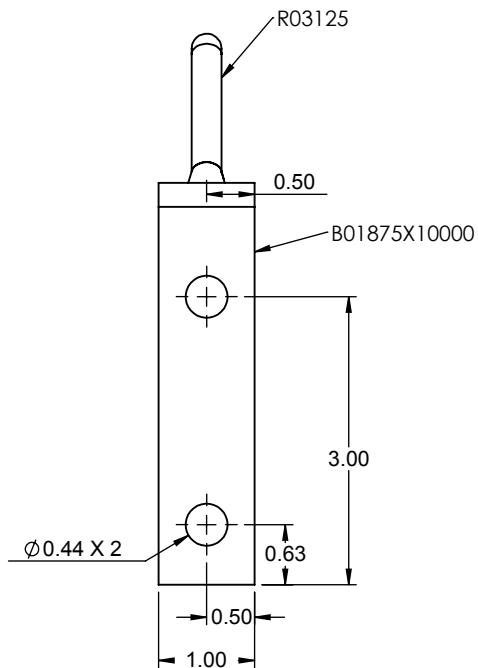
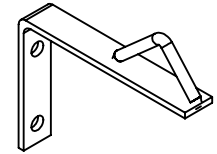


PROPRIETARY DATA

PROPERTY OF DEN HARTOG MFG., INC. INFORMATION FURNISHED HEREIN IS THE PROPERTY OF ACE ROTO-MOLD MFG., INC. AND SHALL NOT BE USED, DISCLOSED TO OTHERS, OR COPIED WITHOUT THE EXPRESSED WRITTEN CONSENT OF ACE ROTO-MOLD MFG., INC. ALL RIGHTS RESERVED.

12535



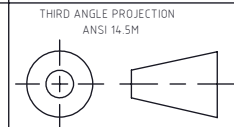
| | |
|---------------|-----------------|
| DRAWN / DATE | MATERIAL |
| ADH 3/7/08 | 1) MILD STEEL |
| APPRD. / DATE | 1) B01875X10000 |
| DHJ 3/14/08 | 3) R03125 |



Den Hartog
INDUSTRIES, INC.

Ace Roto-Mold Injection Molding Blow Molding Sowjoy

4010 HOSPERS DRIVE S. BOX 425, HOSPERS, IOWA 51238-0421



NOTES:
1) POWDER COAT, WHITE
ET-1494

| | | | |
|-----|-------------|-----------|-----|
| REV | DESCRIPTION | BY / DATE | CCN |
| | | | |

ALL DIMENSIONS ARE IN DECIMAL INCHES
TOLERANCES UNLESS OTHERWISE SPECIFIED

DECIMAL ± .125"
FRACTION ± 1/4"
ANGLE ± 1°

| | | |
|-------------|------------------------|----------------|
| DESCRIPTION | TUNNEL CURTAIN BRACKET | |
| SCALE | N.S. | PART NO. 12535 |