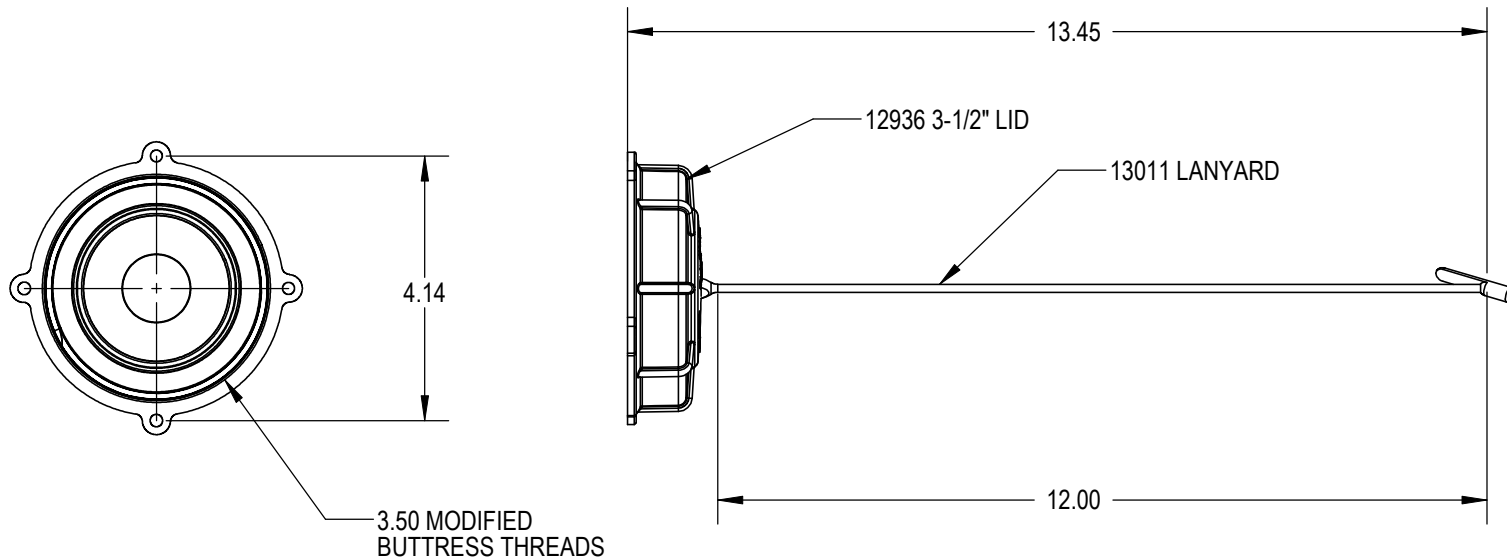

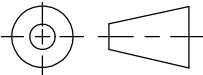


Copyright. All information furnished within this document, electronic file or design correspondence is the property of Den Hartog industries, Inc. and shall not be used, disclosed to others or copied without the expressed written consent of Den Hartog Industries, Inc.



				DRAWN / DATE REH 12/30/10	MATERIAL	 <p>Den Hartog INDUSTRIES, INC. Ace Roto-Mold Injection Molding Blow Molding Sowjoy 4010 HOSPERS DRIVE S. BOX 425, HOSPERS, IOWA 51238-0421</p>	
				APPRD. / DATE DHJ 12/30/10			
REV	DESCRIPTION	BY / DATE	CCN	SHOT WEIGHT:		NOTES: DESCRIPTION 3-1/2" LID AND LANYARD ASSEMBLY	
ALL DIMENSIONS ARE IN DECIMAL INCHES TOLERANCES UNLESS OTHERWISE SPECIFIED POLYETHYLENE		THIRD ANGLE PROJECTION ANSI 14.5M 		SHIPPING WEIGHT: .2 LB.			SCALE N.S.
±1% @ 68°F		METAL DECIMAL ± .125" FRACTION ± 1/4" ANGLE ± 1°		FINISH:			PART NO. 13108