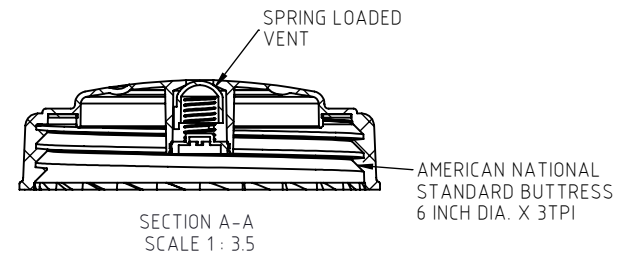
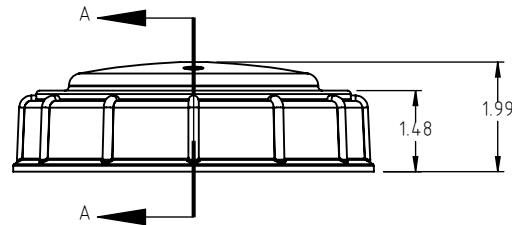
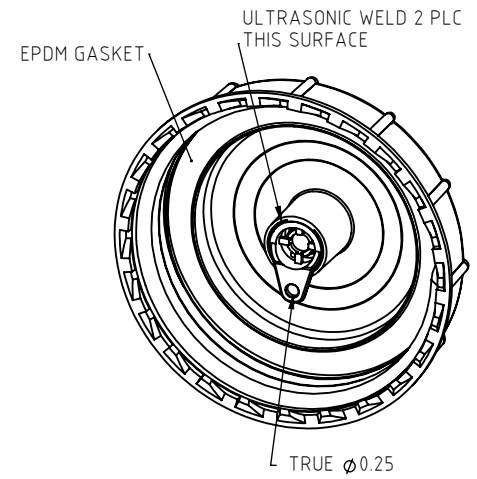
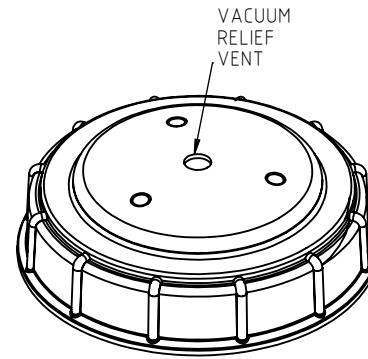
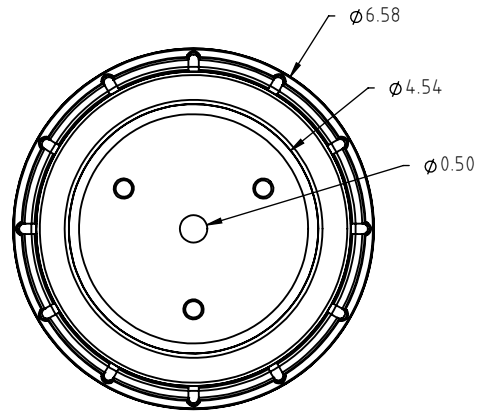
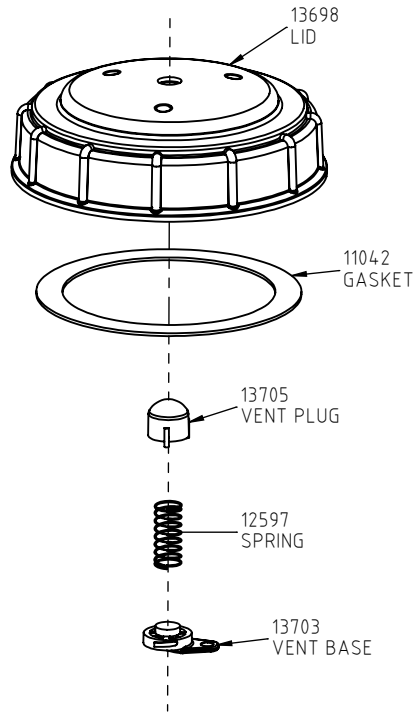



Copyright. All information furnished within this document, electronic file or design correspondence is the property of Den Hartog industries, Inc. and shall not be used, disclosed to others or copied without the expressed written consent of Den Hartog Industries, Inc.



				DRAWN / DATE ADH 7/26/12	MATERIAL
				APPRD. / DATE MVE 9/18/12	
REV	DESCRIPTION	BY / DATE	CCN	SHOT WEIGHT:	NOTES:
				SHIPPING WEIGHT: 141 g.	
				FINISH:	



# Den Hartog

INDUSTRIES, INC.

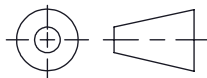
Ace Roto-Mold Injection Molding Blow Molding Sowjoy

4010 HOSPERS DRIVE S. BOX 425, HOSPERS, IOWA 51238-0425

DESCRIPTION LT RICH 5" LID WITH VENT ASSY	
SCALE N.S.	PART NO. 13716

ALL DIMENSIONS ARE IN DECIMAL INCHES  
TOLERANCES UNLESS OTHERWISE SPECIFIED

THIRD ANGLE PROJECTION  
ANSI 14.5M



NOTE TOLERANCE: